

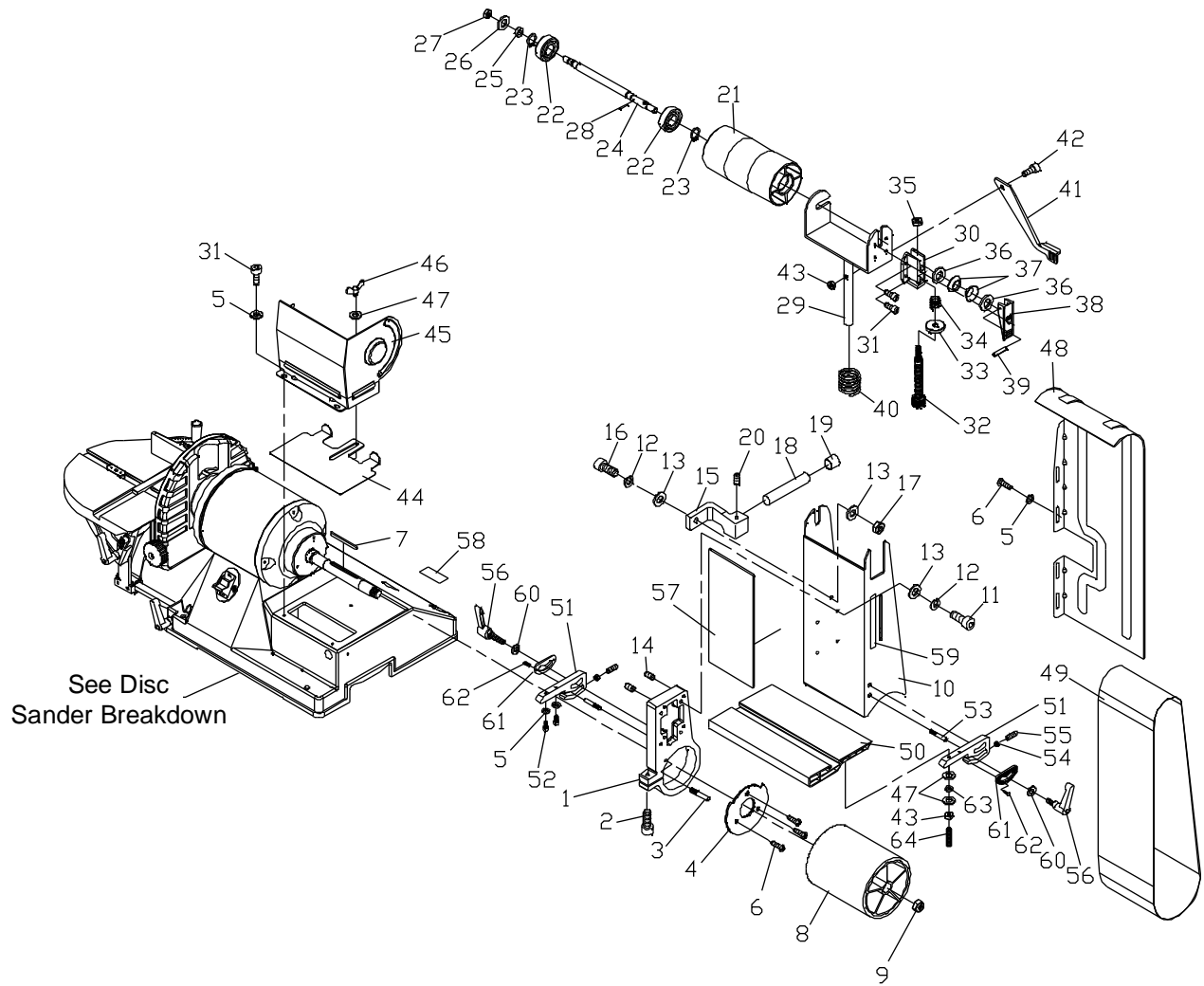
Parts List for the Disc Sander Assembly

Index No.	Part No.	Description	Size	Qty
1	JSG96-101A	Base		1
2	JSG96-102	Motor		1
	JSG96-102A	Starting Capacitor (not shown)	150MFD, 125VAC	1
	JSG96-102B	Running Capacitor (not shown)	20uF, 250VAC	1
3	TS-1550041	Flat Washer	M6	4
4	TS-1551041	Lock Washer	M6	7
5	TS-1540041	Hex Nut	M6	1
6	JSG96-106	Disc Cover		1
7	JSG96-107	Screw w/Washer	1/4x3/8	3
8	JSG96-108	Air Controller		1
9	JSG96-109	Tap Screw	1/4x1/2	2
10	JSG96-110	Lock Knob		1
11	JSG96-111	Tap Screw	1/4x1	1
12	JSG96-112	Key	5x5x25	1
13	JSG96-113	Disc		1
14	JSG96-114	Set Screw	#10x3/8	1
15	JSG96-115	Sanding Disc		1
16	JSG96-116	End Cover		1
17	JSG96-117	Pin		1
18	JSG96-118	Compound Table		1
19	JSG96-119	Table Bracket		1
20	JSG96-120	Trunnion		2
21	JSG96-121	Pin		2
22	JSG96-122	Hex Socket Cap Screw	#10x5/8	2
23	JSG96-123	Table Support w/Scale		1
24	TS-0680031	Flat Washer*	5/16	2
25	TS-0051021	Hex Head Screw	5/16x5/8	2
26	JSG96-126	Lock Handle*		1
27	JSG96-127	Screw	1/4x3/8	1
28	JSG96-128	Pointer		1
29	TS-0270031	Set Screw	5/16x3/8	2
30	JSG96-130	Rod		1
31	JSG96-131	Set Screw	1/4x1	1
32	TS-0561011	Hex Nut	1/4	1
33	JSG96-133	Lock Handle	5/16x1	1
34	JSG96-134	Switch Plate		1
35	JSG96-135	Switch		1
	JSG96-135A	Switch Key (not shown)		1
36	JSG96-136	Plate		1
37	JSG96-137A	Tap Screw	3/16x3/8	19
38	TS-0680011	Flat Washer	3/16	5
39	JSG96-139	Strain Relief		1
40	JSG96-140	Power Cord		1
41	JSG96-141	Dust Chute		1
42	JSG96-142	Circle Gauge*		1
43	JSG96-143	Tip		1
44	JSG96-144	Set Screw	1/4x1/4	2
45	JSG96-145	Set Screw	M4x6	1
46	JWBS18-403	Miter Gauge Body		1
47	JSG96-147	Guide Bar		1
48	JWBS18-401	Lock Handle		1
49	JWBS20-156	Guide Disc		1
50	JSG96-150	Pan Head Screw	1/4x5/16	1
51	JSG96-151	Screw	#10x5/16	1
52	JWBS18-406	Pointer		1

Index No.	Part No.	Description	Size	Qty
53	JSG96-153	Bushing		1
54	JSG96-154	I.D. Label		1
55	JSG96-155	Indication Label		1
56	JSG96-156	Pin		1
57	JSG96-157	Tap Screw	1/4" × 3/8"	7
58	JSG96-158	Holder-Small (Running Capacitor)		1
59	JSG96-159	Holder-Big (Starting Capacitor)		1
60	JSG96-160	Plate		1
	JSG96-MGA	Miter Gauge Assembly (Items 38, 46 thru 52)		1
	JSG96-CGA	Circle Gauge Assembly (Items 42 thru 45)		1

* items marked with an asterisk are part of the Hardware Kit, page 21.

Belt Sander Assembly Breakdown

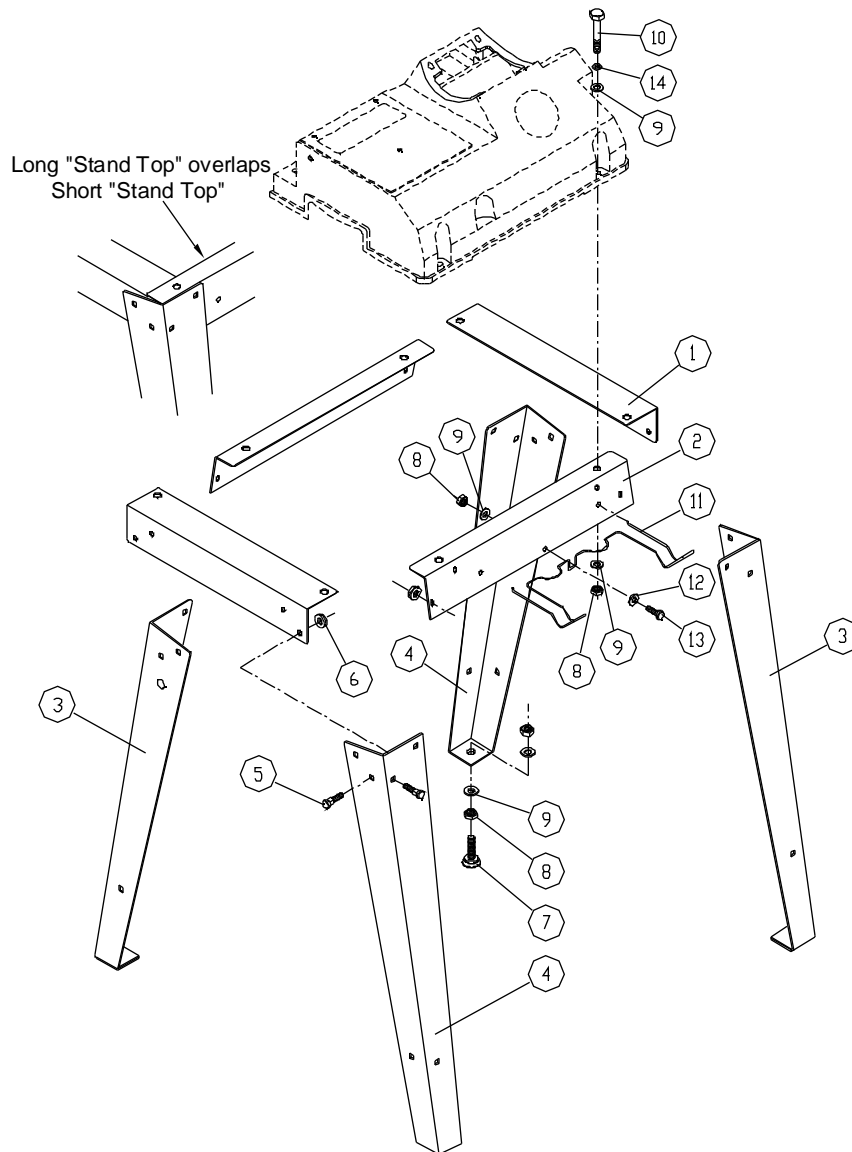


Parts List for the Belt Sander Assembly

Index No.	Part No.	Description	Size	Qty
1	JSG96-201	Bracket		1
2	TS-0208071	Hex Socket Cap Screw	5/16x1-1/4	1
3	JSG96-203	Pin		1
4	JSG96-204	Fixed Plate		1
5	TS-0680021	Flat Washer	1/4	8
6	JSG96-206	Screw	1/4x3/8	3
7	JSG96-207	Key	5x5x70	1
8	JSG96-208	Drive Drum		1
9	JSG96-209	Lock Nut	5/8-18UNF	1
10	JSG96-210	Belt Support		1
11	JSG96-211	Hex Socket Cap Screw	5/16x5/8	4
12	TS-0720081	Lock Washer	5/16	5
13	TS-0680031	Flat Washer	5/16	6
14	TS-0270031	Set Screw	5/16x3/8	4
15	JSG96-215	Bracket		1
16	TS-0208061	Hex Socket Cap Screw	5/16x1	1
17	TS-0561021	Hex Nut	5/16	1
18	JSG96-218	Rod		1
19	JSG96-219	Pad		1
20	JSG96-220	Set Screw	1/4x3/8	1
21	JSG96-221	Follow Roller		1
22	BB-6201ZZ	Ball Bearing		2
23	JSG96-223	C-Ring	STW-11	2
24	JSG96-224	Shaft		1
25	JSG96-225	Bushing		1
26	TS-0680041	Flat Washer	3/8	1
27	JSG96-227	Lock Nut	3/8	1
28	JSG96-228	Roll Pin	4x20	1
29	JSG96-229	Support Bracket		1
30	JSG96-230	Micro-Adjusting Seat		1
31	TS-0207021	Hex Socket Cap Screw	1/4x1/2	6
32	JSG96-232	Screw		1
33	JSG96-233	Adjusting Knob		1
34	JSG96-234	Spring		1
35	JSG96-235	Lock Nut	M6	1
36	JSG96-236	Washer		2
37	JSG96-237	Disc Spring		2
38	JSG96-238	Lock Handle		1
39	JSG96-239	Roll Pin	3x20	1
40	JSG96-240	Spring		1
41	JSG96-241	Eccentric Handle		1
42	JSG96-242	Hex Socket Cap Screw	1/4x1-1/4	1
43	JSG96-243	Lock Nut	1/4	2
44	JSG96-244	Air Controller (Belt)		1
45	JSG96-245	Dust Chute		1
46	JSG96-246	Wing Screw	1/4x1/2	1
47	JSG96-247	Flat Washer	1/4x3/4	3
48	JSG96-248	Back Cover		1
49	JSG96-249	Sanding Belt		1
50	JSG96-250	Belt Table		1
51	JSG96-251	Trunnion		2
52	TS-0050021	Hex Socket Cap Screw	1/4x5/8	2
53	JSG96-253	Guide Pin		2
54	TS-0561011	Hex Nut	1/4	2
55	JSG96-255	Set Screw	1/4x3/4	2

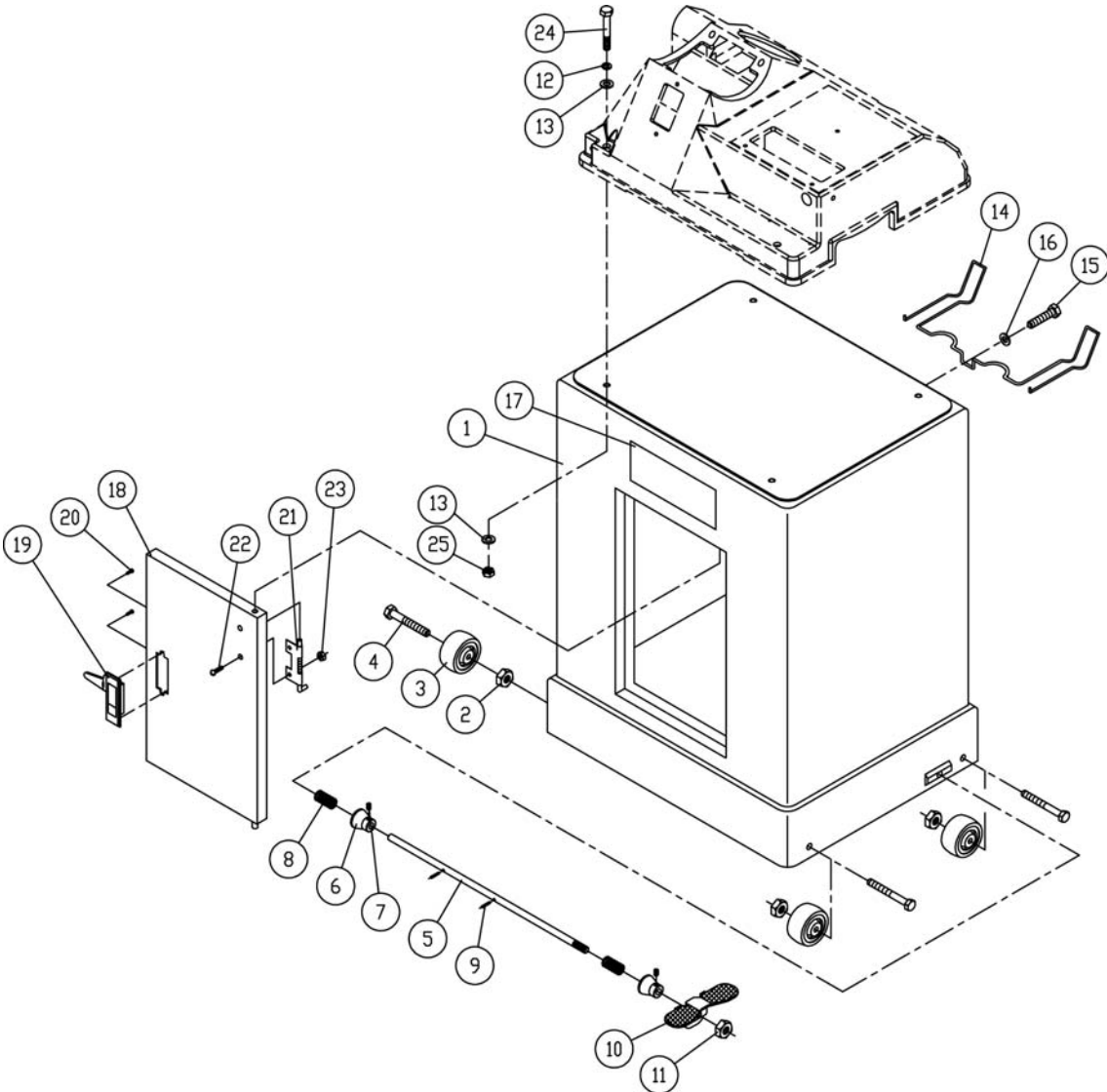
Index No.	Part No.	Description	Size	Qty
56	JSG96-256	Lock Handle*	5/16x1-1/4	2
57	JSG96-257	Graphite Pad		1
58	JSG96-155	Indication Label		1
59	JSG96-259	Loosen/Tighten Label		1
60	JSG96-260	Flat Washer	1/4x9/16x1/8	2
61	JSG96-261	Serrated Plate		2
62	JSG96-262	Phillips Tap Screw	M3x10	4
63	JSG96-263	Lock Washer	1/4	1
64	JSG96-264	Set Screw	1/4x1-1/2	1
	JSG96-HK	Hardware Kit (Includes items marked with *, and a 6mm hex wrench)		

Open Stand Assembly (Optional)



Index No.	Part No.	Description	Size	Qty
1	JSG96-401	Stand Top (front and rear, short)		2
2	JSG96-402	Stand Top (left and right, long)		2
3	JSG96-403	Stand Leg w/Tool Holder		2
4	JSG96-404	Stand Leg		2
5	JSG96-405	Carriage Bolt*	5/16x5/8	16
6	JSG96-406	Lock Nut w/Flange*	5/16	16
7	JSG96-407	Leveling Pad*		4
8	TS-0561031	Hex Nut*	3/8	13
9	TS-0680041	Flat Washer*	3/8	17
10	TS-0060131	Hex Head Screw*	3/8x3	4
11	JSG96-314	Tool Shelf		1
12	JSG96-316	Flat Washer*	3/8x1-1/8	1
13	TS-0060031	Hex Head Screw*	3/8x3/4	1
14	TS-0720091	Lock Washer*	3/8	4
	JSG96-HKA	Hardware Kit for Open Stand (includes items marked with *)		

Closed Stand Assembly (Optional)



Parts List for Closed Stand (Optional)

Index No.	Part No.	Description	Size	Qty
1	JSG96-301	Base		1
2	JSG96-302	Lock Nut	3/8	4
3	PJE-S05	Wheel		4
4	JSG96-304	Hex Head Screw	3/8x2-1/2	4
5	JSG96-305	Shaft		1
6	PJN-S04	Eccentric Cam		2
7	JSG96-307	Set Screw	M6x10	2
8	JSG96-308	Spring		2
9	JSG96-309	Roll Pin	4x16	2
10	PJN-S02	Foot Brake		1
11	JSG96-311	Lock Nut	M10x1.5	1
12	TS-0720091	Lock Washer*	3/8	4
13	TS-0680041	Flat Washer*	3/8	8
14	JSG96-314	Tool Shelf		1
15	TS-0060031	Hex Head Screw*	3/8x3/4	1
16	JSG96-316	Washer*	3/8x1-1/8	1
17	JSG96-317	JET Plaque		1
18	JSG96-318	Door		1
19	JSG96-319	Latch		1
20	JSG96-320	Screw	M3	2
21	JSG96-321	Door Pivot		1
22	JSG96-127	Screw	1/4x3/8	2
23	TS-0561011	Hex Nut	1/4	2
24	TS-0060131	Hex Head Screw*	3/8x3	4
25	TS-0561031	Hex Nut*	3/8	4
	JSG96-HKC	Hardware Kit for Closed Stand (includes items marked with *)		



WALTER MEIER (Manufacturing) Inc.

427 New Sanford Road
 LaVergne, Tennessee 37086
 Phone: 800-274-6848
www.waltermeier.com