

Problem	Possible Cause	Solution
	Miswiring of the unit.	Double check to confirm all electrical connections are correct and tight. Refer to wiring diagrams on pages 32-35 to make any needed corrections.
	On/off switch failure.	If the on/off switch is suspect you have two options: Have a qualified electrician test the switch for function, or purchase a new on/off switch and establish if that was the problem on changeout.

## Optional Accessories

### Stock No Description

708119 ..... Mobile Base  
708520 ..... Digital Read-out Retrofit Kit  
708583 ..... Low Speed Gear Kit  
708808 ..... Knives, Single Sided (set of 4) – *model JWP-208 only*  
1791212..... Knife Inserts (set of 10) – *model JWP-208HH only*

## Ordering Replacement Parts

To order parts or reach our service department, call 1-800-274-6848, Monday through Friday (see our website for business hours, [www.waltermeier.com](http://www.waltermeier.com)). Having the Model Number and Serial Number of your machine available when you call will allow us to serve you quickly and accurately.

## Parts

### Head Assembly – Parts List

Index	Part No.	Description	Size	Qty
1.....	JWP208-001	Head Casting		1
2.....	TS-1525021	Set Screw	M10 x 12	8
3.....	JWP208-003	Cutterhead*		1
4.....	6292620	Spring*		8
5.....	708808	Knife*		4
6.....	JWP208-006	Knife Gib*		4
7.....	6292623	Hex Cap Bolt*	M8 x 10	24
8.....	JWP208-008	Knife Gauge Bar		1
9.....	JWP208-009	Knife Gauge		2
10.....	JWP208-010	Washer	3/8	2
11.....	JWP208-011	Nut	M10	2
12.....	BB-6206ZZ	Ball Bearing	6206ZZ	1
13.....	JWP208-013	Key	8 x 8 x 36	1
14.....	6292630	Pulley		1
15.....	6292631	Washer		2
16.....	TS-1523071	Set Screw	M6 x 25	2
17.....	JWP208-017	Motor Pulley		1
18.....	JWP208-018	Infeed Roller		1
19.....	JWP208-019	Bushing		4
20.....	JWP208-020	Spring		4
21.....	JWP208-021	Screw	M22 x 20	4
22.....	JWP208-022	Plate		4
23.....	TS-1490031	Hex Cap Screw	M8 x 20	8
24.....	JWP208-024A	Jack Screw*		8

\* Index # 3, 4, 5, 6, 7 and 24 are used only on the straight cutterhead, model JWP-208

## Head Assembly – Parts List

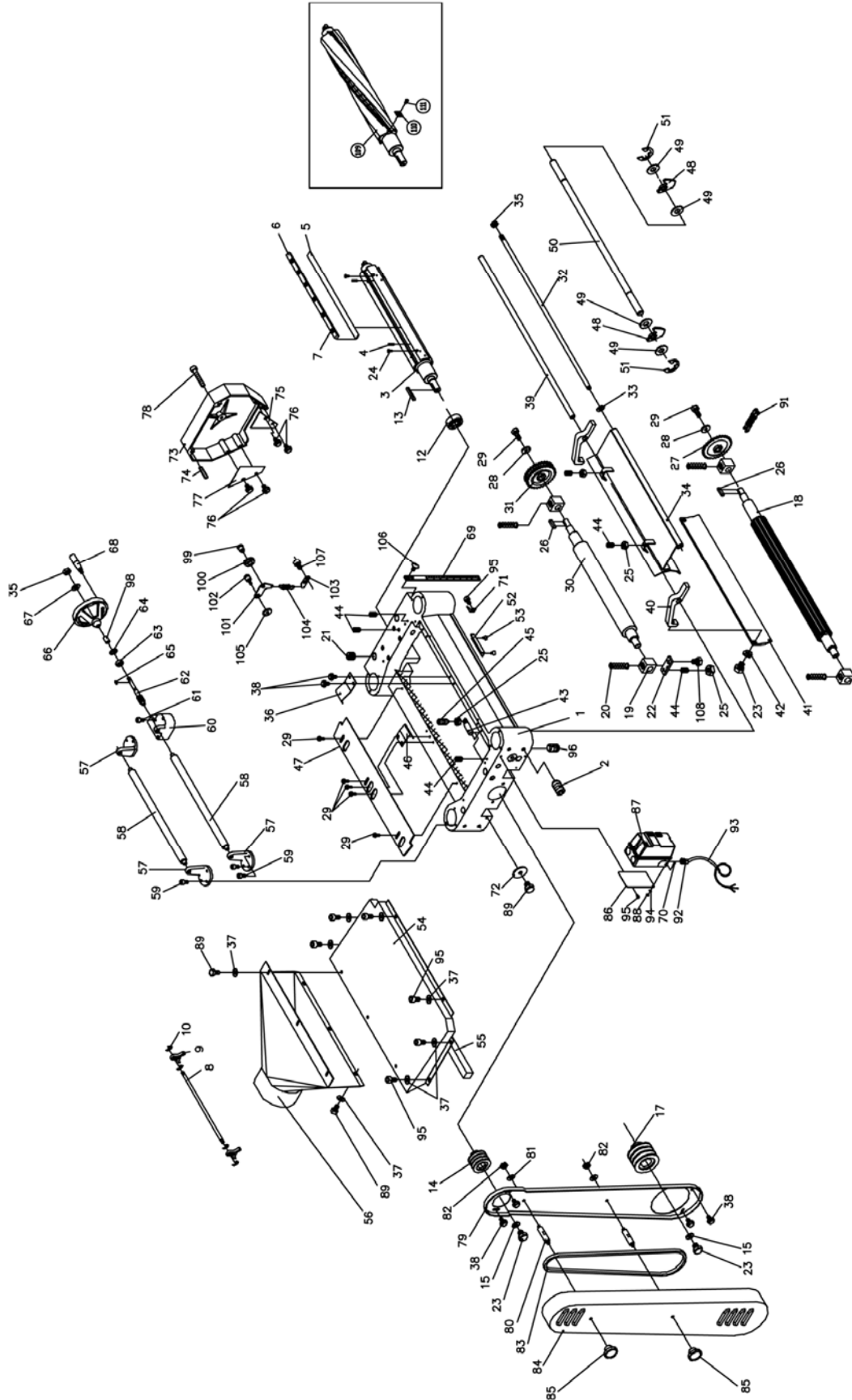
Index	Part No.	Description	Size	Qty
25	TS-1540041	Hex Nut	M6	8
26	JWP208-026A	Key	5 x 5 x 24	2
27	6292643	Sprocket		1
28	TS-1550041	Washer	M6	2
29	JWP208-029A	Hex Washer Head Screw	M6 x 16	5
30	JWP208-030	Outfeed Roller		1
31	6292647	Sprocket		1
32	JWP208-032	Locking Bolt		1
33	JWP208-033	Retaining Ring		1
34	JWP208-034	Chip Breaker		1
35	TS-1540081	Nut	M12	2
36	JWP208-036	Plate Springs		3
37	JWP208-037	Washer	1/4	12
38	JWP208-038A	Hex Washer Head Screw	M6 x 12	14
39	JWP208-039	Shaft		1
40	JWP208-040	Bracket		2
41	JWP208-041	Pressure Plate		1
42	TS-2361081	Lock Washer	M8	2
43	JWP208-043	Shaft		1
44	TS-1523051	Set Screw	M6 x 16	9
45	TS-1523061	Set Screw	M6 x 20	2
46	JWP208-046	Plate Spring		3
47	JWP208-047	Chip Deflector Plate		1
48	6292664	Anti-Kickback Finger		87
49	6292665	Collar		88
50	JWP208-050	Shaft		1
51	JWP208-051	Retaining Ring		2
52	6292668	Cut Limit Plate		1
53	JWP208-053A	Flat Head Machine Screw	M5 x 8	2
54	JWP208-054	Upper Cover		1
55	JWP208-055	Gasket		1
56	JWP208-056	Collector Tube		1
57	JWP208-057	Roller Stand		3
58	JWP208-058	Roller		3
59	TS-1503041	Socket Head Cap Screw	M6 x 16	9
60	JWP208-060	Worm Gear Box		1
61	TS-1503111	Socket Head Cap Screw	M6 x 50	3
62	JWP208-062	Worm		1
63	BB-6201Z	Ball Bearing		1
64	JWP208-064	Retaining Ring	6201Z	1
65	JWP208-065	Key	4 x 4 x 10	1
66	JWP208-066	Hand Wheel		1
67	JWP208-067	Washer	1/2	1
68	6292684	Handle		1
69	JWP208-069	Scale		1
70	JWP208-070	Machine Screw	M5 x 10	2
71	JWP208-071	Pointer		1
72	6292814	Special Washer	M6	3
73	JWP208-073	Cover		1
74	JWP208-074	Spring Pin	6 x 20	1
75	JWP208-075	Safety Plate		1
76	JWP208-076	Machine Screw	M6 x 8	4
77	JWP208-077	Safety Latch		1
78	TS-1504081	Socket Head Cap Screw	M8 x 40	1
79	JWP208-079	Pulley Guard		1
80	6292696	Bolt		2

## Head Assembly – Parts List

Index	Part No.	Description	Size	Qty
81	TS-0680041	Washer	5/16	2
82	TS-0561021	Nut	5/16-18	2
83	VB-M60	V-Belt		3
84	JWP208-084	Pulley Cover		1
85	6292710	Knob	5/16	2
86	JWP208-086A	Switch Mounting Plate		1
87	JWP208-087F	Magnetic Switch (JWP-208 only)	3HP, 1Ph, 230V	1
	JWP208-087FC	Contactor (JWP-208 only, not shown)	3HP, 1Ph, 230V	1
	JWP208-087FO	Overload (JWP-208 only, not shown)	3HP, 1Ph, 230V	1
	JWP208HH-087A	Magnetic Switch (JWP-208HH only)	5HP, 1Ph, 230V	1
	209-5016BC	Contactor (JWP-208HH only, not shown)	5HP, 1Ph, 230V	1
	209-5016CO	Overload (JWP-208HH only, not shown)	5HP, 1Ph, 230V	1
	JWP208HH-087B	Magnetic Switch	5HP, 3Ph, 230V	1
	209-5016DC	Contactor (not shown)	5HP, 3Ph, 230V	1
	JWP208HH-087BO	Overload (not shown)	5HP, 3Ph, 230V	1
	JWP208HH-087C	Magnetic Switch	5HP, 3Ph, 460V	1
	209-5016EC	Contactor (not shown)	5HP, 3Ph, 460V	1
	209-5016EO	Overload (not shown)	5HP, 3Ph, 460V	1
88	TS-1540031	Nut	M5	2
89	TS-1482021	Hex Cap Screw	M6 x 12	10
91	JWP208-091	Chain		1
92	JWP208-092	Relief Bushing		2
	JWP208HH-092	Relief Bushing (for 5HP, 1PH, 230V only)		2
93	JWP208-093	Power Cord		1
	JWP208HH-093	Power Cord (for 5HP, 1PH, 230V only)		1
94	JWP208-094	Tooth Washer		4
95	TS-1503021	Socket Head Cap Screw	M6 x 10	12
96	TS-1524011	Set Screw	M8 x 8	1
98	JWP208-098	Collar		1
99	6292714	Shaft		1
100	PA-C59	Idler Pulley		1
101	PA-C58	Bracket		1
	JWP208-106	Chain Tensioning Assy		1
102	PA-C59	Shaft		1
103	PA-C60	Hanger		1
104	PA-C61	Spring		1
105	PA-C62	Collar		1
106	TS-1534042	Pan Head Screw	M6X12	1
107	TS-1503021	Socket Head Cap Screw	M6x10	2
108	JWP208-108	Hex Head Screw	M8x18	4
	MS-SA20-24V	Magnetic Contactor for 3HP Motor (not shown)		1
	MS-SA20-24VA	Magnetic Contactor for 5HP, 3PH Motor (not shown)		1
	MS-208HH-24V	Magnetic Contactor for 5HP, 1PH Motor (not shown)		1
	JWP208-087DTR	Thermal Relay for 3HP Motor (not shown)		1
	JWP208-087ETR	Thermal Relay for 5HP, 3PH Motor (not shown)		1
	JWP208HH-108TR	Thermal Relay for 5HP, 1PH Motor (not shown)		1
	PG-M02	JET Plaque		1
	6012192	Warning Label (not shown)		1
	6292819	Lubrication Label (not shown)		1
	6292820	Guard Label (not shown)		1
	1791224	Helical Cutterhead Assembly (index #109 thru #111)**		1
109	JWP208HH-109	Helical Cutterhead**		1
110	1791212	Knife Insert (sold in set of 10)**		92 total
111	JWP208HH-111	Knife Insert Screw**	#10-32 x 1/2"	92
112	JJ6HH-113	Star Point Screwdriver (not shown)**		2

\*\* Index # 109 thru 112 are used only on the helical cutterhead, model JWP-208HH

# Head Assembly – Exploded View

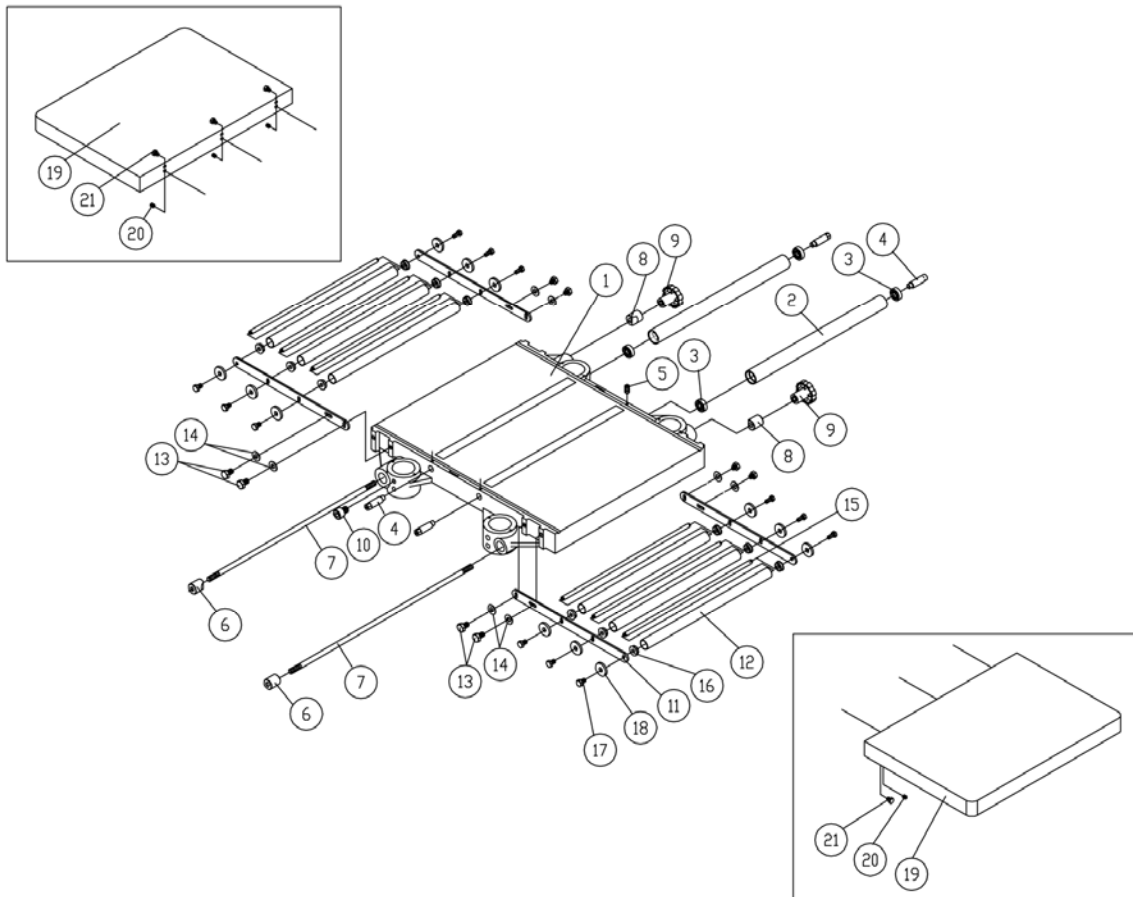


## Table and Roller – Parts and Assembly

Index	Part No.	Description	Size	Qty
1.....	JWP208-201	Middle Table		1
2.....	6292722	Roller		2
3.....	BB-6201ZZ	Ball Bearing	6201ZZ	4
4.....	6292724	Eccentric Shaft		1
5.....	TS-1523041	Set Screw	M6x12	4
6.....	6292725	Lock Bar		2
7.....	6292726	Lock Bolt		2
8.....	6292727	Lock Bushing (no thread)		2
9.....	6292728	Knob		2
10.....	TS-1504041	Socket Head Cap Screw	M8x20	8
11.....	6292730	Roller Frame*		4
12.....	6292731	Roller*		6
13.....	TS-1491031	Hex Cap Screw*	M10x25	8
14.....	TS-0680041	Washer*	3/8"	8
15.....	6292808	Shaft*		6
16.....	6292809	Bushing*		12
17.....	TS-1482021	Hex Head Screw*	M6x12	12
18.....	TS-1550041	Flat Washer*	M6	12
19.....	JWP208HH-219	Extension Table**		2
20.....	TS-1524051	Socket Set Screw**	M8x20	6
21.....	TS-1490041	Hex Cap Screw**	M8x25	6

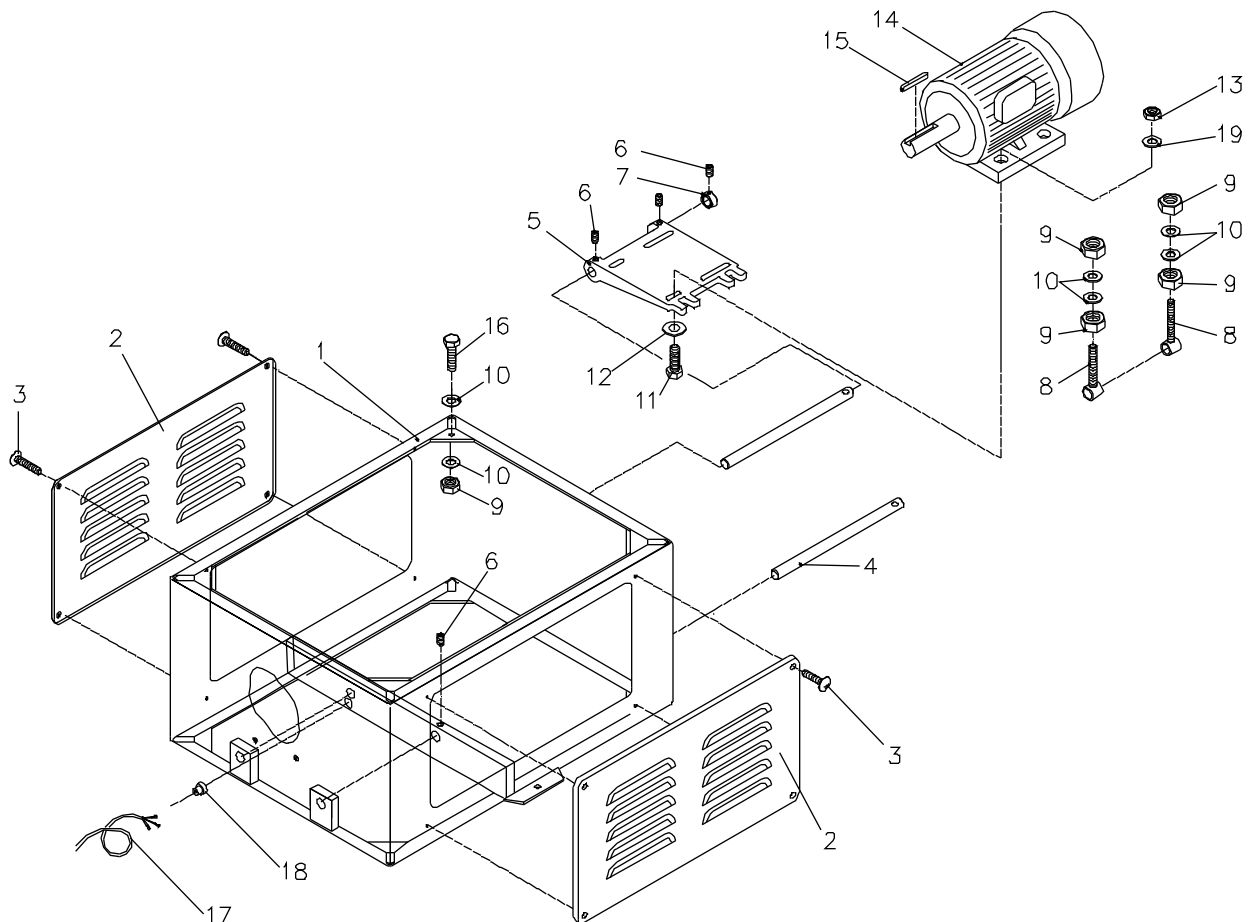
\* Index #11 thru 18 are used only on the model JWP-208.

\*\* Index #19, 20 and 21 are used only on the model JWP-208HH.



## Stand and Motor – Parts and Assembly

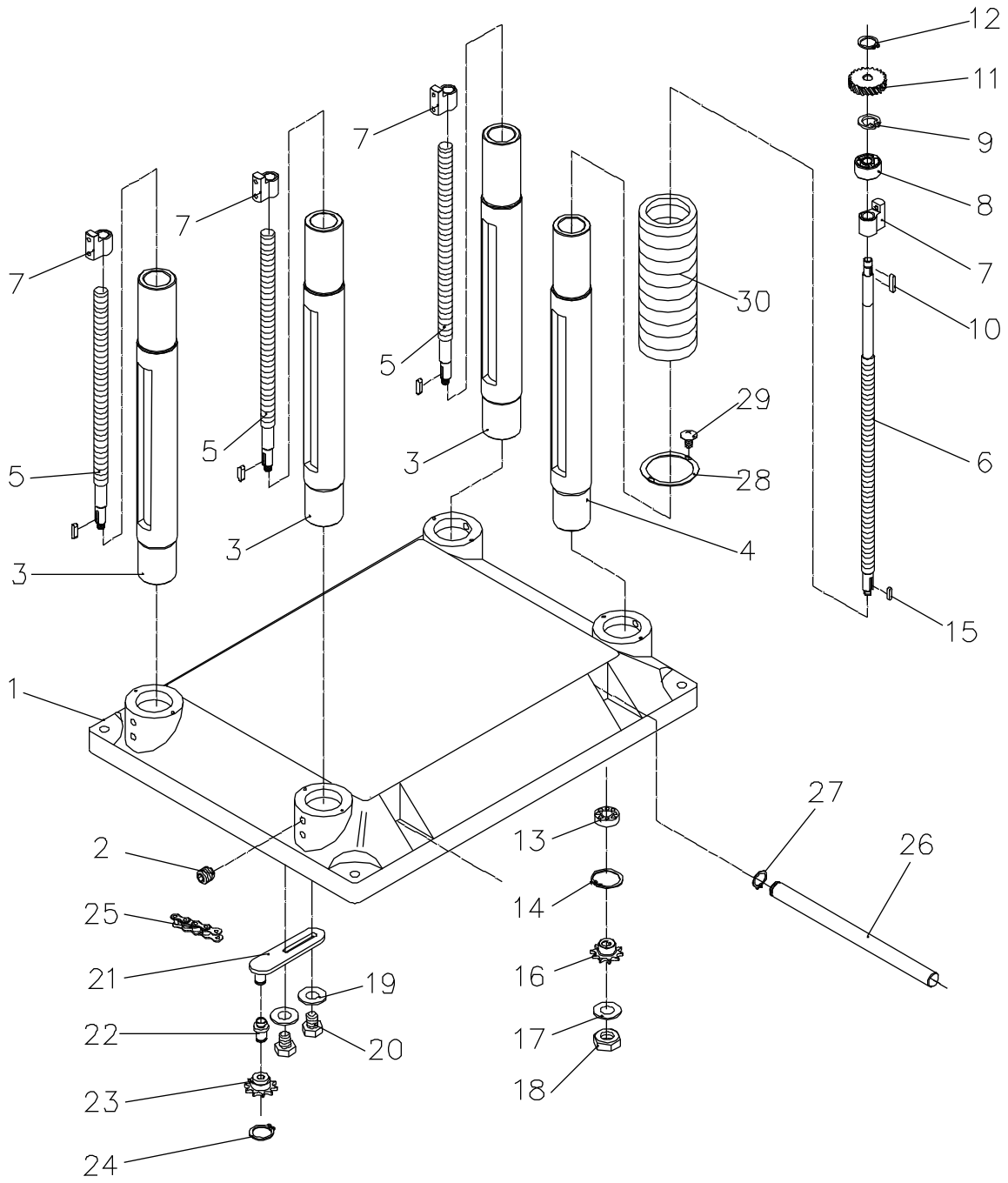
Index	Part No.	Description	Size	Qty
1.....	JWP208-401 .....	Stand .....		1
2.....	JWP208-402 .....	Cover .....		2
3.....	TS-2286201 .....	Flat Head Machine Screw .....	M6 x 20.....	8
4.....	6292796 .....	Bar .....		2
5.....	JWP208-405 .....	Motor Mount .....		1
6.....	TS-1524011 .....	Set Screw .....	M8 x 8.....	4
7.....	JWP208-407 .....	Collar .....		1
8.....	JWP208-408 .....	Adjust Bolt .....		2
9.....	TS-1540081 .....	Nut .....	M12.....	8
10.....	TS-0680061 .....	Washer .....	1/2.....	4
11.....	TS-1490041 .....	Hex Cap Screw .....	M8 x 35.....	4
12.....	TS-0680031 .....	Washer .....	5/16.....	4
13.....	TS-1540061 .....	Nut .....	M8.....	4
14.....	JWP208-414 .....	Motor (3HP, 1Ph, 230V) .....		1
.....	209-5023.....	Motor (5HP, 1Ph, 230V) .....		1
.....	JWP208-414A .....	Motor (5HP, 3Ph, 230/460V).....		1
15.....	JWP208-415 .....	Key .....		1
16.....	TS-1492051 .....	Hex Cap Screw .....	M12 x 50.....	4
17.....	JWP208-417 .....	Power Cord .....		1
.....	JWP208HH-417.....	Power Cord (for 5HP, 1PH, 230V only).....		1
18.....	JWP208-418 .....	Strain Relief .....		1
.....	JWP208HH-418.....	Strain Relief (for 5HP, 1PH, 230V only).....		1
19.....	TS-0680031 .....	Washer .....	5/16.....	4



## Base and Column – Parts List

Index	Part No.	Description	Size	Qty
1	JWP208-301	Base		1
2	TS-1525021	Set Screw	M10 x 12	8
3	JWP208-303	Column		3
4	JWP208-304	Column		1
5	JWP208-305	Lead Screw		3
6	JWP208-306	Lead Screw		1
7	JWP208-307	Nut		4
8	JWP208-308	Bushing		1
9	JWP208-309	Retaining Ring		1
10	JWP208-310	Key	4 x 4 x 10	1
11	JWP208-311	Gear	24T	1
12	JWP208-312	Retaining Ring		1
13	BB-6202ZZ	Ball Bearing	6202ZZ	4
14	JWP208-314	Retaining Ring		4
15	JWP208-315	Key	5 x 5 x 16	4
16	JWP208-316	Sprocket	10T	4
17	JWP208-317	Washer	3/8	4
18	JWP208-318	Nut	M10	4
19	JWP208-319	Washer		2
20	TS-1490041	Hex Cap Screw	M8 x 25	2
21	6292749	Idler Bracket		1
22	JWP208-322	Shaft		1
23	6292751	Sprocket	10T	1
24	JWP208-324	Retaining Ring	STW-15	1
25	JWP208-325	Chain		1
26	JWP208-326	Carry Handle		4
27	JWP208-327	Retaining Ring	ETW-19	4
28	JWP208-328	Pipe Band		16
29	TS-1533032	Pan Head Screw	M5 x 10	32
30	JWP208-330	Expansion Band		8

# Base and Column – Assembly

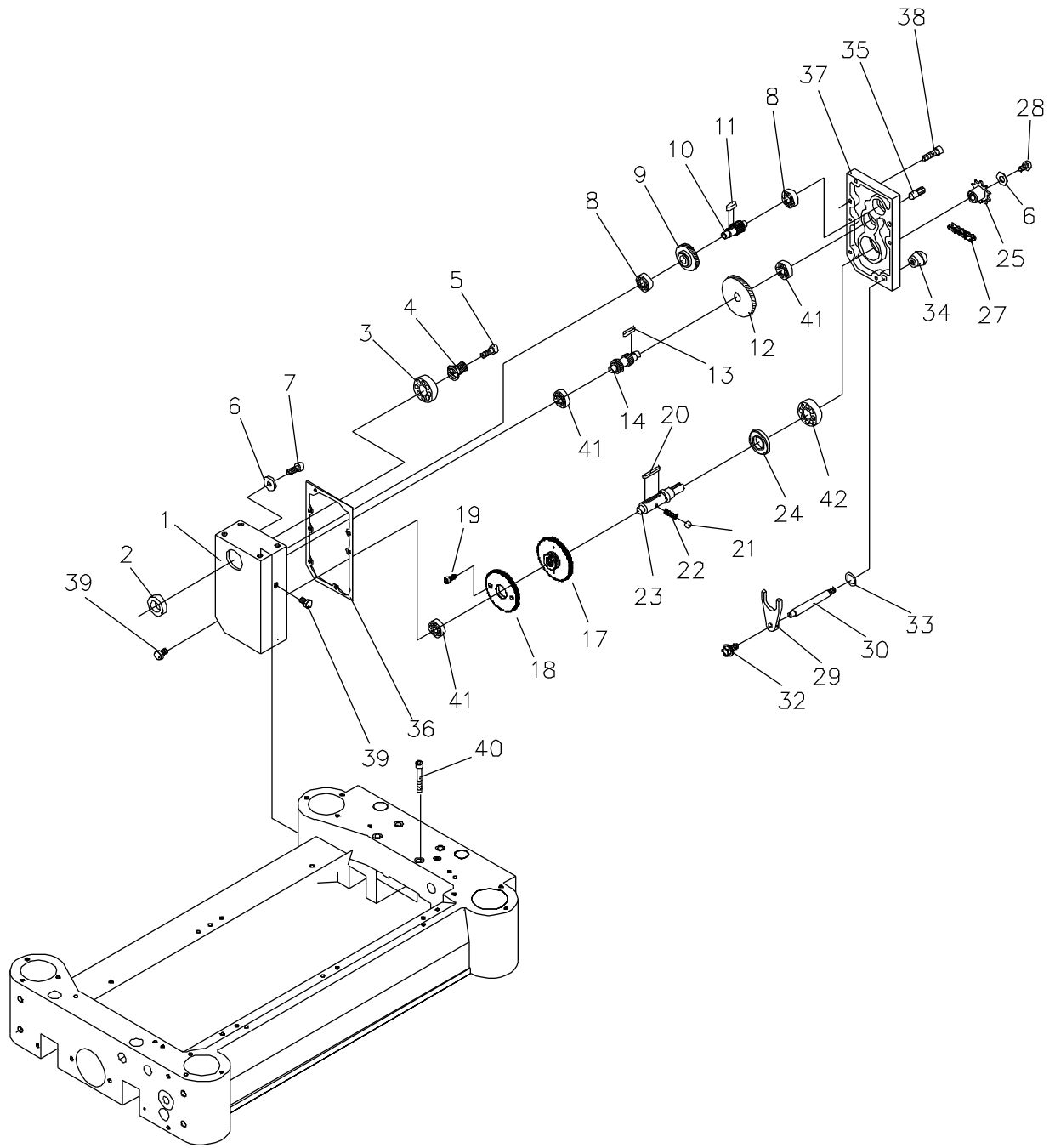




## Gearbox – Parts List

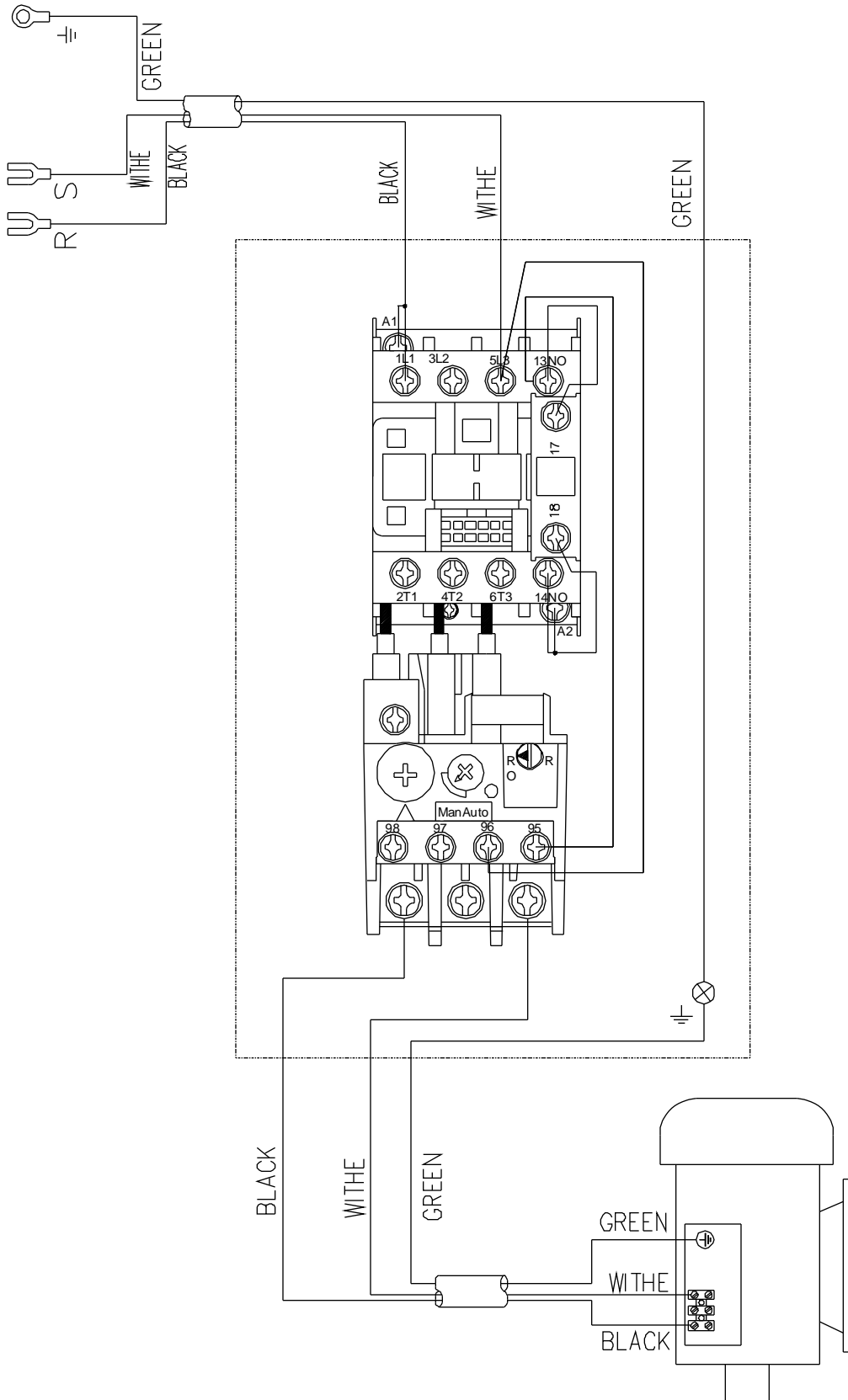
Index	Part No.	Description	Size	Qty
1	JWP208-501	Gear Box		1
2	OS-28408	Oil Seal		1
3	BB-6204ZZ	Ball Bearing	6204ZZ	1
4	6292762	Gear	16T	1
5	TS-1503061	Socket Head Cap Screw	M6 x 25	1
6	TS-1550041	Washer	M6	2
7	TS-1503041	Socket Head Cap Screw	M6 x 16	1
8	BB-6201	Ball Bearing	6201	2
9	6292766	Gear	47T	1
10	6292767	Shaft	18T	1
11	JWP208-511	Key	5 x 5 x 12	1
12	6292769	Gear	71T	1
13	JWP208-513	Key	5 x 5 x 10	1
14	JWP15H-314	Shaft	18T/22T	1
17	JWP208-517	Gear	96T	1
18	JWP208-518	Gear	92T	1
19	TS-1503021	Socket Head Cap Screw	M6 x 10	3
20	JWP208-520	Key	6 x 6 x 40	1
21	JWP208-521	Ball		1
22	6292776	Spring		1
23	6292777	Shaft		1
24	OS-25476	Oil Seal		1
25	6292791	Sprocket	18T	1
	6292779	Sprocket	12T	1
27	6292792	Chain	.06BX52 (for 6292791)	1
	6292780	Chain	.06BX50 (for 6292779)	1
28	TS-1482031	Hex Cap Screw	M6 x 16	1
29	6292781	Clutch		1
30	6292782	Handle		1
32	JWP208-038A	Hex Washer Head Screw	M6 x 12	1
33	JWP208-533	Oil Ring		1
34	6292784	Knob		1
35	6292785	Pin		2
36	6292786	Packing		1
37	JWP208-537	Cover		1
38	TS-1503061	Socket Head Cap Screw	M6 x 25	5
39	JWP208-539	Oil Plug		1
40	TS-1504101	Socket Head Cap Screw	M8 x 50	4
41	BB-6201Z	Ball Bearing	6201Z	1
42	BB-6204Z	Ball Bearing	6204Z	1
	JWP208-GB	Gear Box Complete (not shown)		1
	JWP208-551	Open End Wrench (not shown)		1
	JWP208-552	Hex Wrench Set (not shown)		1

# Gearbox – Assembly

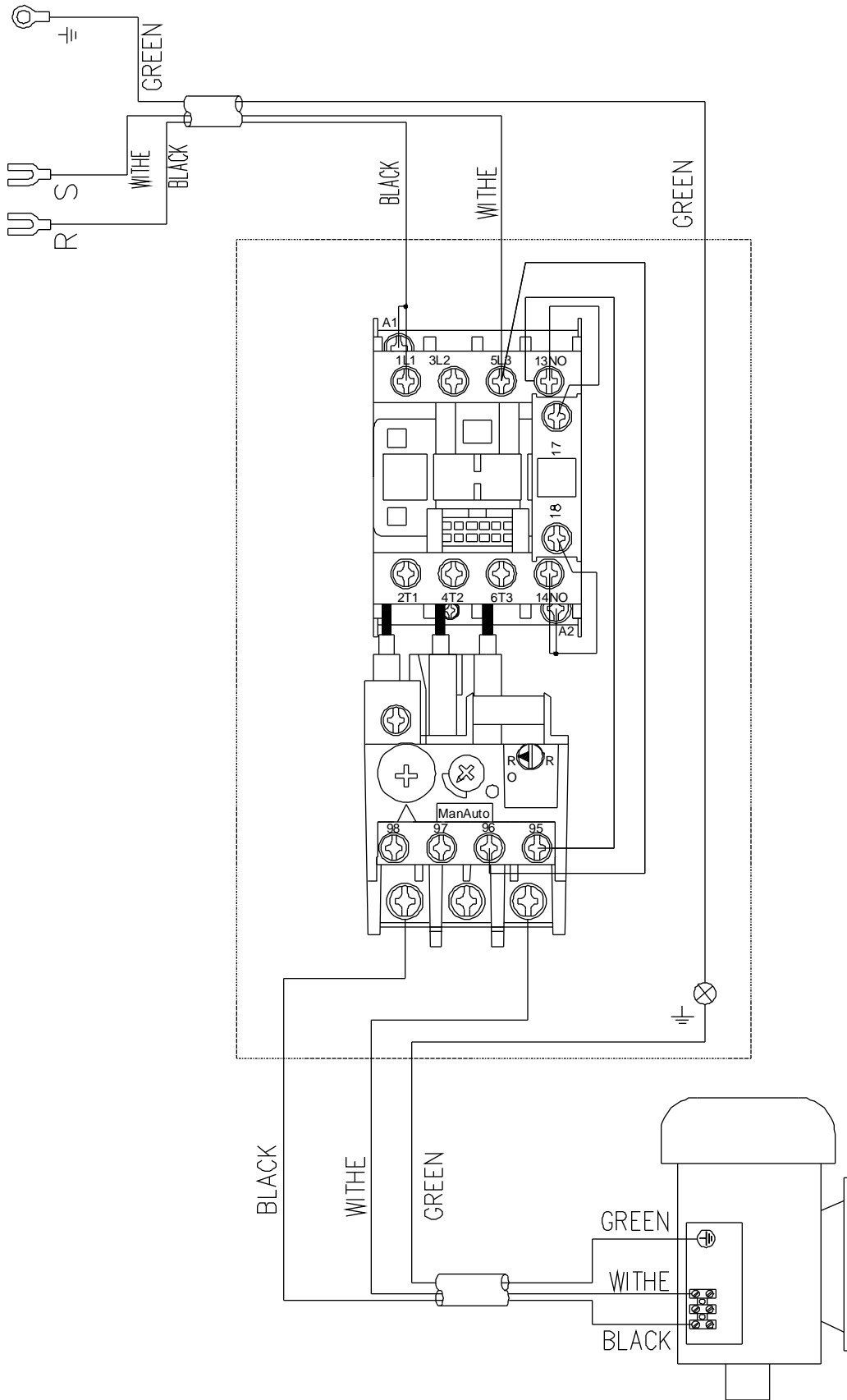


# Wiring Diagrams

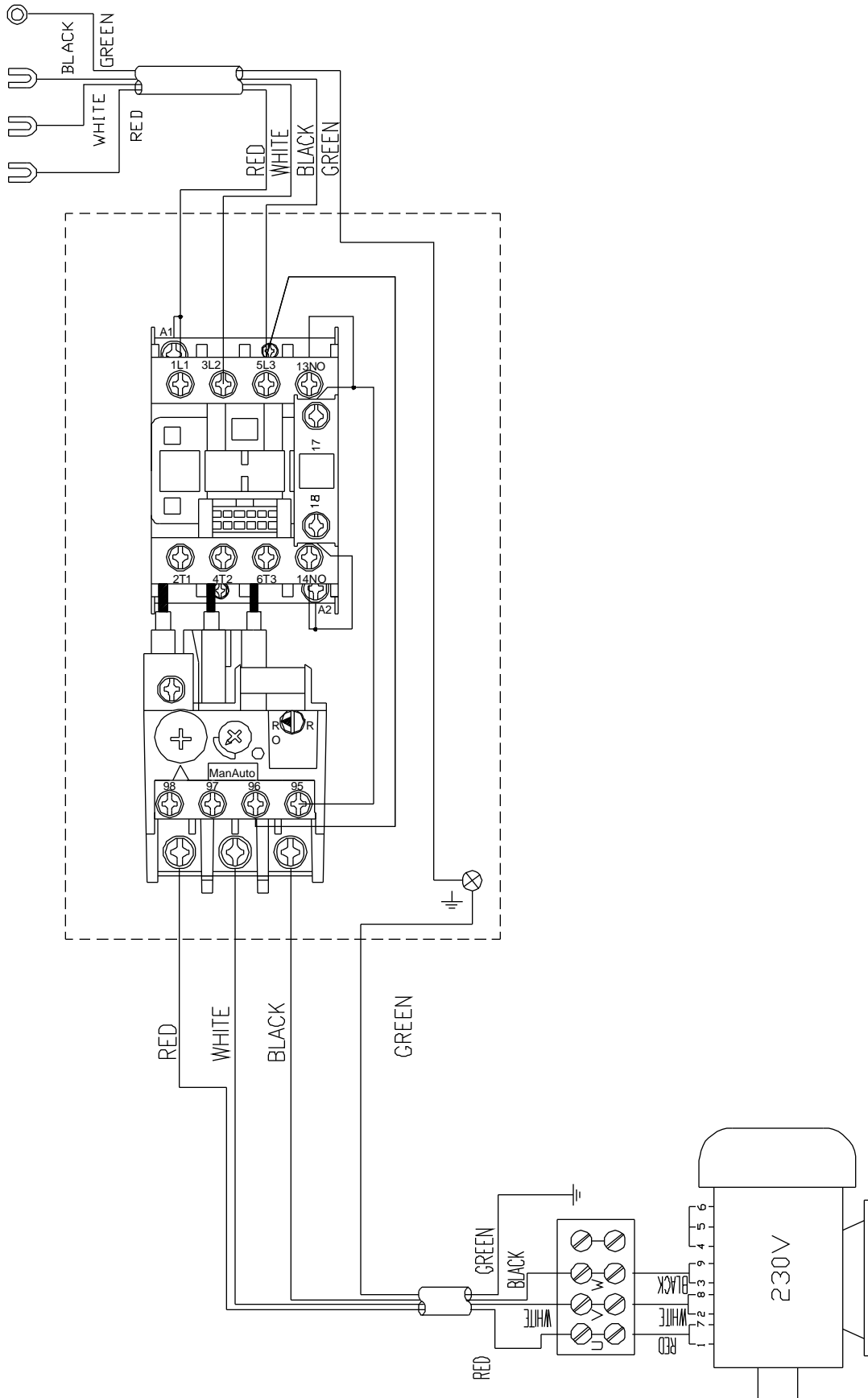
## 230V 3HP Single Phase



# 230V 5HP Single Phase



# 230V 5HP Three Phase



# 460V 5HP Three Phase

