



Operating Instructions and Parts Manual

10-inch Table Saw

Model JPS-10TS



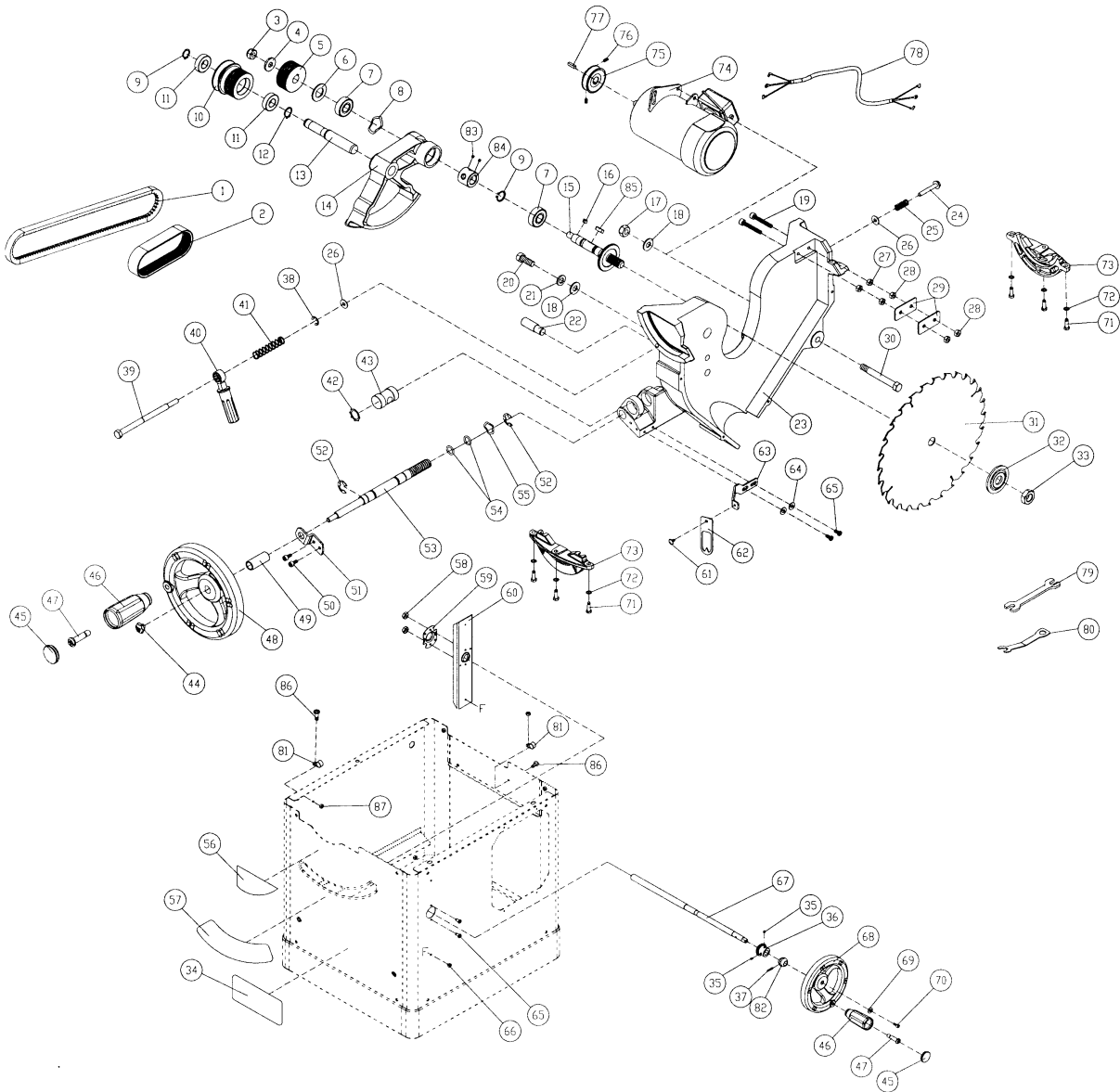
shown with optional mobile base #708118 (not provided)

WMH TOOL GROUP

2420 Vantage Drive
Elgin, Illinois 60124
Ph.: 800-274-6848
www.wmhtoolgroup.com

Part No. M-708480
Revision A 9/06
Copyright © WMH Tool Group

Motor and Trunnion Assembly

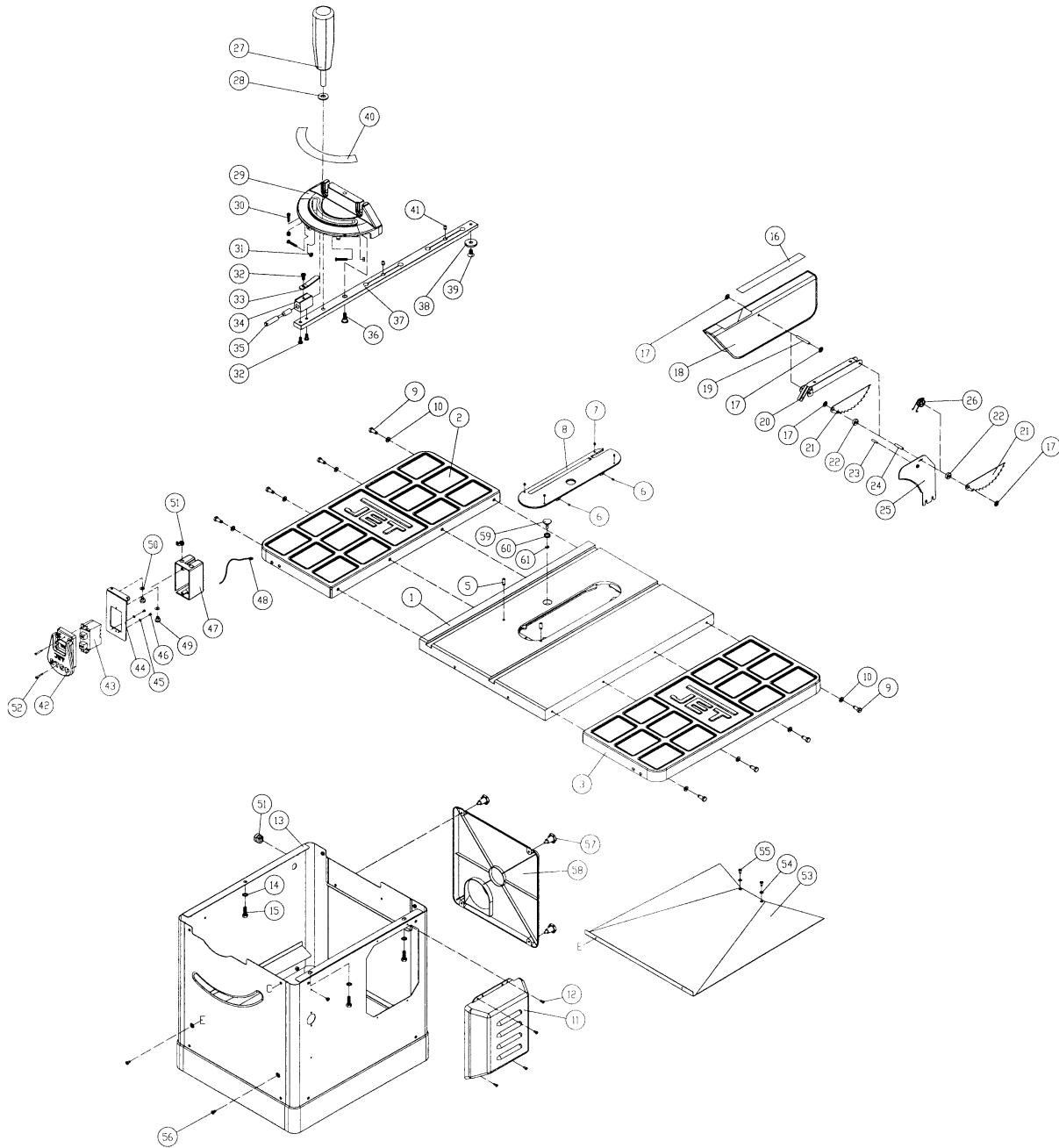


Parts List: Motor and Trunnion Assembly

Index No	Part No	Description	Size	Qty
1	VB-A31	Belt	A-31	1
2	JWTS10-102	Belt	125J	1
3	TS-2342102	Nylon Insert Lock Nut	M10-1.25P	1
4	TS-1550071	Flat Washer	M10	1
5	JWTS10-105	Pulley		1
6	JWTS10-106	Washer		1
7	BB-6202VV	Ball Bearing	6202-2NSE	2
8	JWTS10-108	Wave Washer	BWW-6202	1
9	JWTS10-109	Retaining Ring, External	STW-15	2
10	JPS10TS-110	Pulley		1
11	BB-6002VV	Ball Bearing	6002-2NSE	2
12	JWTS10-112	Retaining Ring, External	STW-17	1
13	JPS10TS-113	Shaft		1
14	JPS10TS-114	Bearing Arm		1
15	JPS10TS-115	Arbor		1
16	JWTS10-116	Key	5x5x8	1
17	TS-1541041	Nylon Insert Lock Nut	M10	1
18	TS-1550071	Flat Washer	M10	2
19	TS-1503091	Socket Head Cap Screw	M6x40	2
20	TS-1491031	Hex Cap Screw	M10x25	1
21	TS-2361101	Lock Washer	M10	1
22	JWTS10-122	Pin		1
23	JWTS10-123	Center Trunnion		1
24	JWTS10-124	Hex Flange Bolt	M6x40	1
25	JWTS10-125	Spring		1
26	TS-1550041	Flat Washer	M6	2
27	TS-1540041	Hex Nut	M6	2
28	TS-1541021	Nylon Insert Lock Nut	M6	4
29	JWTS10-129	Plate		2
30	TS-2210801	Hex Cap Screw	M10x80	1
31	JWTS10-131	Blade	10"x5/8"x28T	1
32	JWTS10-132	Flange		1
33	JWTS10-133	Arbor Nut	5/8"-12	1
34	LM000629	JET Label		1
35	TS-1522011	Set Screw	M5x6	2
36	JPS10TS-136	Fixing Ring		1
37	JPS10TS-137	Spring Pin	Ø4x10	1
38	JWTS10-138	E-Clip	ETW-8	1
39	JPS10TS-139	Bolt		1
40	JWTS10-140	Handle		1
41	JWTS10-141	Spring		1
42	JWTS10-142	Lock Washer		1
43	JWTS10-143	Guide Shaft		1
44	JPS10TS-144	Knob		1
	JPS10TS-FHA	Front Hand Wheel Assembly (#45 thru #48)		1
45	JWTS10-145	Handle Cap		2
46	JWTS10-146	Handle		2
47	JWTS10-147	Shaft		2
48	JPS10TS-148	Hand Wheel		1
49	JPS10TS-149	Bushing		1
50	TS-1502021	Socket Head Cap Screw	M5x10	2
51	JWTS10-151	Plate		1
52	JWTS10-152	E-Clip	ETW-12	2
53	JPS10TS-153	Shaft		1
54	JWTS10-154	O-Ring	P12	2

55	JWTS10-155	Wave Washer	WW-16	1
56	LM000636	Warning Label		1
57	JPS10TS-157	Angle Scale		1
58	TS-1541011	Nylon Insert Lock Nut	M5	2
59	JWTS10-159	Collar		1
60	JPS10TS-160	Support Bracket		1
61	TS-2284082	Pan Head Screw	M4x8	1
62	JPS10TS-162	Pointer		1
63	JPS10TS-163	Bracket		1
64	TS-1550031	Flat Washer	M5	2
65	TS-1533032	Pan Head Screw	M5x10	4
66	990805	Self Tapping Screw	M4x10	4
67	JPS10TS-167	Shaft		1
	JPS10TS-SHA	Side Hand Wheel Assembly (#68, #45 thru #47)		1
68	JPS10TS-168	Hand Wheel		1
69	TS-1551031	Lock Washer	M5	1
70	TS-1502031	Socket Head Cap Screw	M5x12	2
71	TS-1490041	Hex Cap Screw	M8x25	6
72	JWTS10-172	External Tooth Lock Washer	M8	6
73	JPS10TS-173	Front & Rear Trunnion		2
74	JPS10TS-174	Motor	1-3/4HP, 1Ph, 115/230V	1
	JWTS10-174MF	Motor Fan (not shown)		1
	JWTS10-174MFC	Motor Fan Cover (not shown)		1
	JWTS10-174CS	Centrifugal Switch (not shown)		1
	JWTS10-174SCC	Starting Capacitor Cover (not shown)		1
	JWTS10-174RCC	Running Capacitor Cover (not shown)		1
	JWTS10-174SC	Starting Capacitor (not shown)	200MFD, 250VAC	1
	JWTS10-174RC	Running Capacitor (not shown)	30uF, 350VAC	1
	JPS10TS-174JB	Junction Box (not shown)		1
	JPS10TS-174JBC	Junction Box Cover (not shown)		1
	JPS10TS-174OL	Over Load		1
75	JPS10TS-175	Pulley		1
76	TS-1523041	Set Screw	M6x12	2
77	JPS10TS-177	Key	5x5x30	1
78	JWTS10-178	Motor Wire		1
79	JBOS5-106	Box Wrench	#10-#12	1
80	JWTS10-180	Blade Locking Wrench		1
81	JPS10TS-181	Motor Cord Clamp		2
82	JPS10TS-182	Turning Ball		1
83	TS-1521011	Set Screw	M4x4	2
84	JPS10TS-184	Stop Collar		1
85	JPS10TS-185	Key	5x5x18	1
86	TS-1532042	Pan Head Screw	M4x12	2
87	TS-1540021	Hex Nut	M4	2
	JPS10TS-HP	Hardware Package (not shown)		

Table and Cabinet



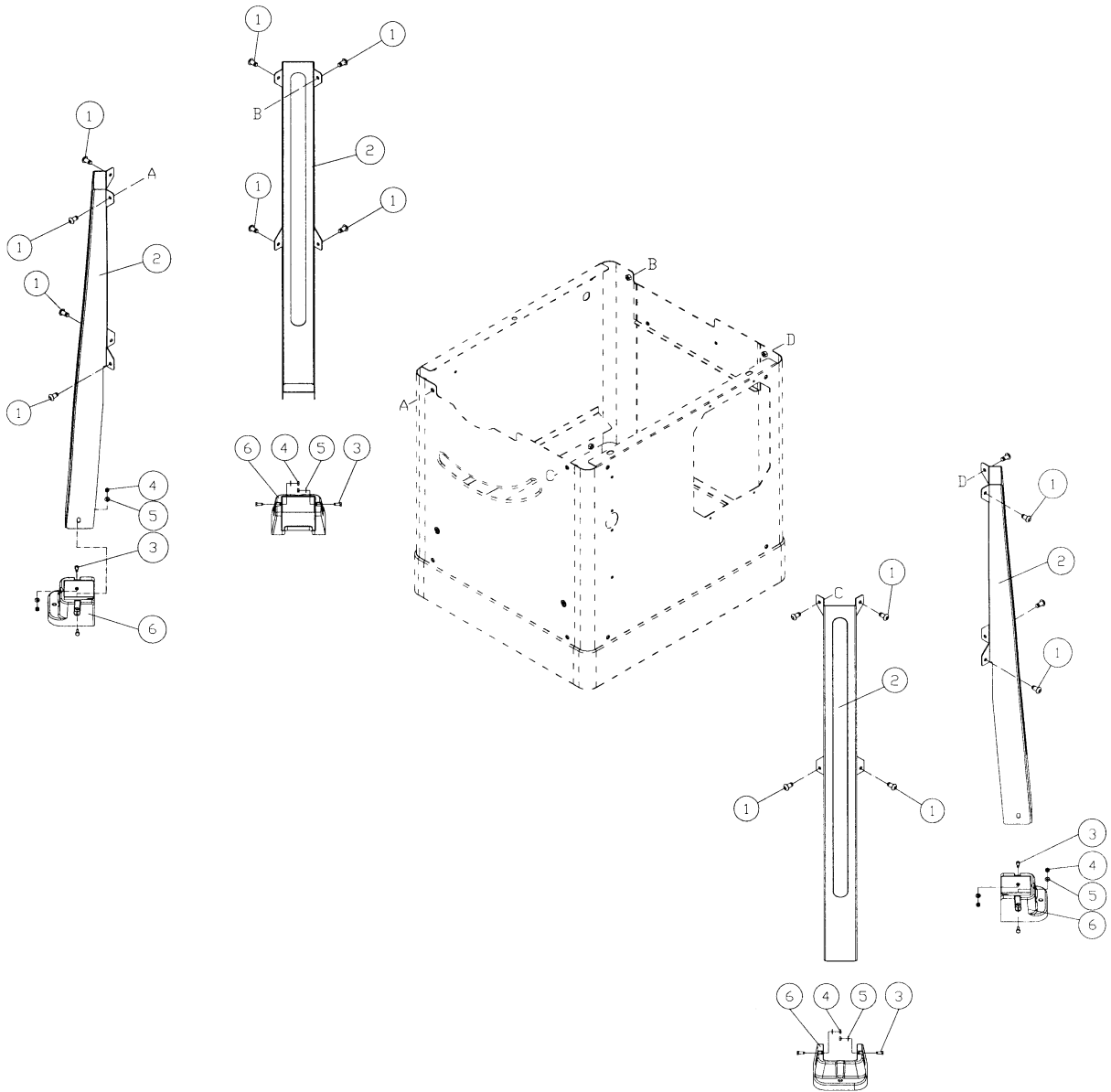
Parts List: Table and Cabinet

Index No	Part No	Description	Size	Qty
1	JPS10TS-301	Table		1
2	JPS10TS-302	Left Steel Extension Wing		1
3	JPS10TS-303	Right Steel Extension Wing		1
5	TS-1524051	Set Screw	M8x20	2
	JPS10TS-TIA	Table Insert Assembly (#6 thru #8)		1
6	JPS10TS-306	Ball Plunger		2
7	TS-1522011	Set Screw	M5x5	4
8	JPS10TS-308	Table Insert		1
9	TS-1490031	Hex Cap Screw	M8x20	8
10	TS-2361081	Lock Washer	M8	8
11	JPS10TS-311	Cover		1
12	TS-1532032	Pan Head Screw	M4x10	4
13	JPS10TS-313	Cabinet		1
14	JWTS10-172	External Tooth Lock Washer	M8	3
15	TS-1490021	Hex Cap Screw	M8x16	3
	JWTS10-BG	Blade Guard Assembly (#16 thru #26)		1
16	JWTS10-316	Warning Label		1
17	JWTS10-317	Push Nut		4
18	JWTS10-318	Blade Guard		1
19	JWTS10-319	Pin		1
20	JWTS10-320	Support Arm		1
21	JWTS10-321	Anti-Kickback Pawl		2
22	JWTS10-322	Bushing		2
23	JWTS10-323	Spring Pin	Ø4x20	1
24	JWTS10-324	Pin		1
25	JWTS10-325	Splitter		1
26	JWTS10-326	Spring		1
	JPS10TS-MG	Miter Gauge Assembly (#27 thru #41)		1
27	JPS10TS-327	Handle		1
28	TS-0680041	Flat Washer	3/8"	1
29	JWTS10-329	Miter Gauge Body		1
30	TS-2284202	Pan Head Screw	M4x20	3
31	TS-1540021	Hex Nut	M4	3
32	TS-1533032	Pan Head Screw	M5x10	1
33	JWTS10-333	Pointer		1
34	JWTS10-334	Bracket		1
35	JWTS10-335	Stop Pin		1
36	JWTS10-336	Screw		1
37	JPS10TS-337	Miter Bar		1
38	JWTS10-338	Guide Washer		1
39	JWTS10-339	Flat Head Screw	M6x8	1
40	JPS10TS-340	Scale		1
41	TS-0270011	Set Screw	5/16"-18x1/4"	2
42	JPS10TS-342	STOP Switch Face Plate		1
43	JPS10TS-343	Main Switch		1
44	JPS10TS-344	Switch Plate		1
45	JPS10TS-345	External Tooth Lock Washer	M4	2
46	TS-2171012	Pan Head Screw	M4x6	2
47	JPS10TS-347	Switch Box		1
48	JPS10TS-348	Power Cord		1
49	TS-1490011	Hex Cap Screw	M8x10	2
50	TS-1550061	Flat Washer	M8	2
51	JPS10TS-351	Strain Relief		3
52	TS-2284302	Pan Head Screw	M4x30	2
53	JPS10TS-353	Dust Chute Plate		1

54.....	TS-1550031	Flat Washer	M5.....	2
55.....	TS-1533032	Pan Head Screw.....	M5x10	2
56.....	TS-1533042	Pan Head Screw.....	M5x12	2
57.....	JPS10TS-357.....	Lock Knob		4
58.....	JPS10TS-358.....	Dust Chute Cover		1
59.....	JPS10TS-359.....	Lock Plunger.....		1
60.....	JPS10TS-360.....	Spring.....		1
61.....	JPS10TS-361.....	E-Clip	ETW-7	1

Parts List: Stand Assembly

Index No	Part No	Description	Size	Qty
1	TS-2246122	Button Head Socket Screw	M6x12	16
2	JPS10TS-402	Leg		4
3	TS-1482031	Hex Cap Screw	M6x16	8
4	TS-1540041	Hex Nut	M6	8
5	TS-1550041	Flat Washer	M6	8
6	JPS10TS-406	Foot		4
	JPS10TS-SHP	Stand Hardware Package (not shown)		



Parts List: Cast Iron Wings

Index No.	Part No.	Description	Size	Qty
1	JPS10TS-501	Cast Iron Wing		2
2	TS-1490031	Hex Cap Screw	M8x20	8
3	TS-2361081	Lock Washer	M8	8

