

Parts

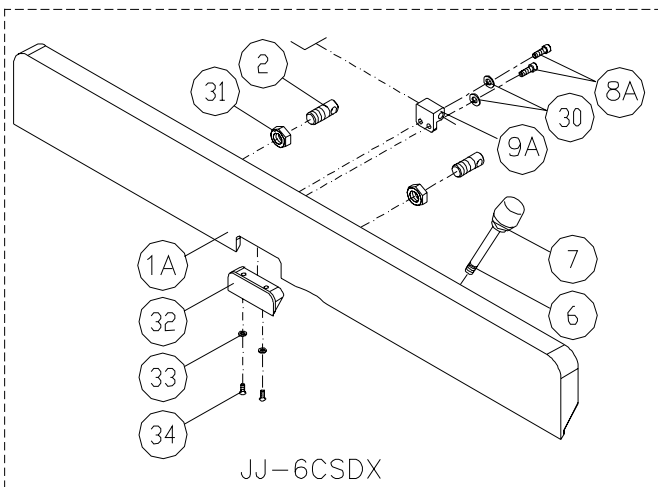
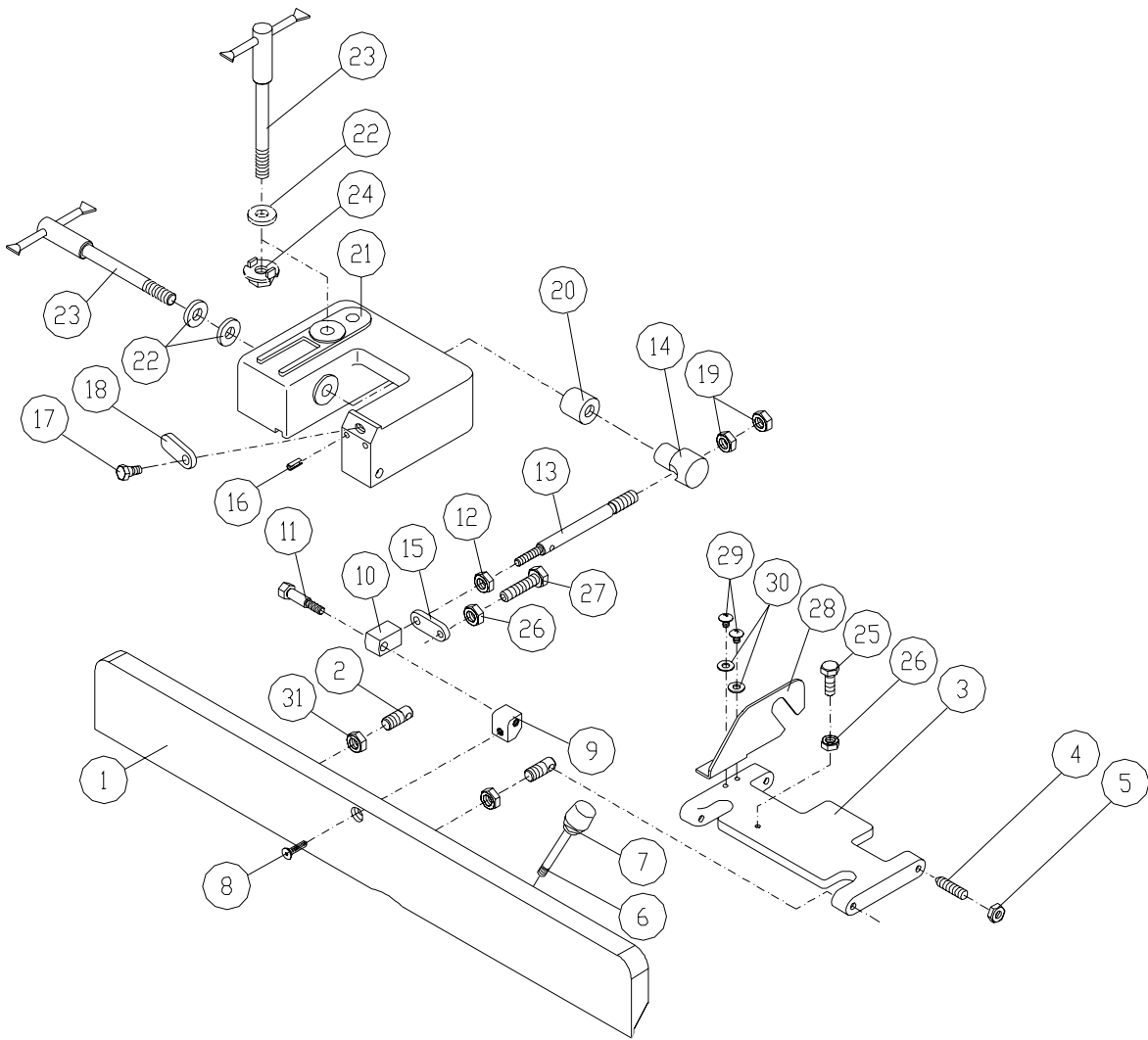
Ordering Replacement Parts

To order parts or reach our service department, call 1-800-274-6848, Monday through Friday (see our website for business hours: www.wmhtoolgroup.com). Having the Model Number and Serial Number of your machine available when you call will allow us to serve you quickly and accurately.

Fence – Parts All Models

| Index No. | Part No. | Description | Size | Qty. |
|-----------|-------------|------------------------------------|-----------------|------|
| | JEJ-FW | Fence Assembly Complete (JJ-6CSX) | | 1 |
| | JJ6CSDX-FAC | Fence Assembly Complete (JJ-6CSDX) | | 1 |
| 1 | JEJ-F01W | Fence Body (JJ-6CSX) | | 1 |
| 1A | JJ6CSDX-201 | Fence Body (JJ-6CSDX) | | 1 |
| 2 | JEJ-F14 | Fence Link | | 2 |
| 3 | JEJ-F02W | Tilt Plate (JJ-6CSX) | | 1 |
| | JJ6CSDX-203 | Tilt Plate (JJ-6CSDX) | | 1 |
| 4 | JED-F16 | Threaded Stud | | 4 |
| 5 | TS-0561031 | Hex Nut | 3/8"-16 | 4 |
| 6 | JEB-F09 | Handle | | 1 |
| 7 | 5DF-I09 | Knob | | 1 |
| 8 | 5CH-F13A | Flat Head Socket Screw (JJ-6CSX) | 5/16"x1-5/8" | 2 |
| 8A | TS-0207041 | Socket Head Cap Screw (JJ-6CSDX) | 1/4"-20x3/4" | 2 |
| 9 | JED-F02 | Block (JJ-6CSX) | | 1 |
| 9A | PJ882-142 | Fixed Block (JJ-6CSDX) | | 1 |
| 10 | JEJ-F03 | Block | | 1 |
| 11 | JEJ-F04 | Bolt | | 1 |
| 12 | TS-0561041 | Hex Nut | 7/16"-14 | 1 |
| 13 | JEJ-F05 | Stud | | 1 |
| 14 | JEJ-F06 | Swivel Block | | 1 |
| 15 | JEJ-F07 | Plate | | 1 |
| 16 | 5FF-J12 | Spring Pin | Ø4x12 | 1 |
| 17 | JEJ-F08 | Hex Cap Bolt | | 1 |
| 18 | JEJ-F09 | Plate | | 1 |
| 19 | TS-0561072 | Hex Nut | 5/8"-18UNF | 2 |
| 20 | JEJ-F10 | Bushing | | 1 |
| 21 | JEJ-F11W | Fence Bracket (JJ-6CSX) | | 1 |
| | JJ6CSDX-221 | Fence Bracket (JJ-6CSDX) | | 1 |
| 22 | TS-0680061 | Flat Washer | 1/2" | 3 |
| 23 | JEJ-F12 | Lock Handle | | 2 |
| 24 | JED-F17 | Lock Nut | | 1 |
| 25 | TS-0051051 | Hex Cap Screw | 5/16"-18x1" | 1 |
| 26 | TS-0561021 | Hex Nut | 5/16"-18 | 2 |
| 27 | TS-0051081 | Hex Cap Screw | 5/16"-18x1-3/4" | 1 |
| 28 | JED-F03 | Plate | | 1 |
| 29 | TS-0813032 | Screw | 1/4"-20x1/2" | 2 |
| 30 | TS-0680021 | Flat Washer (JJ-6CSX) | 1/4" | 2 |
| | TS-0680021 | Flat Washer (JJ-6CSDX) | 1/4" | 4 |
| 31 | TS-0561052 | Hex Nut | 1/2"-20UNF | 2 |
| 32 | PJ882-144 | Pad Block (JJ-6CSDX) | | 1 |
| 33 | TS-069204 | Flat Washer (JJ-6CSDX) | #10 | 2 |
| 34 | TS-0206021 | Socket Head Cap Screw (JJ-6CSDX) | #10-24x1/2" | 2 |

Fence – Assembly All Models



Stand – Parts, JJ-6CSX and JJ-6CSDX

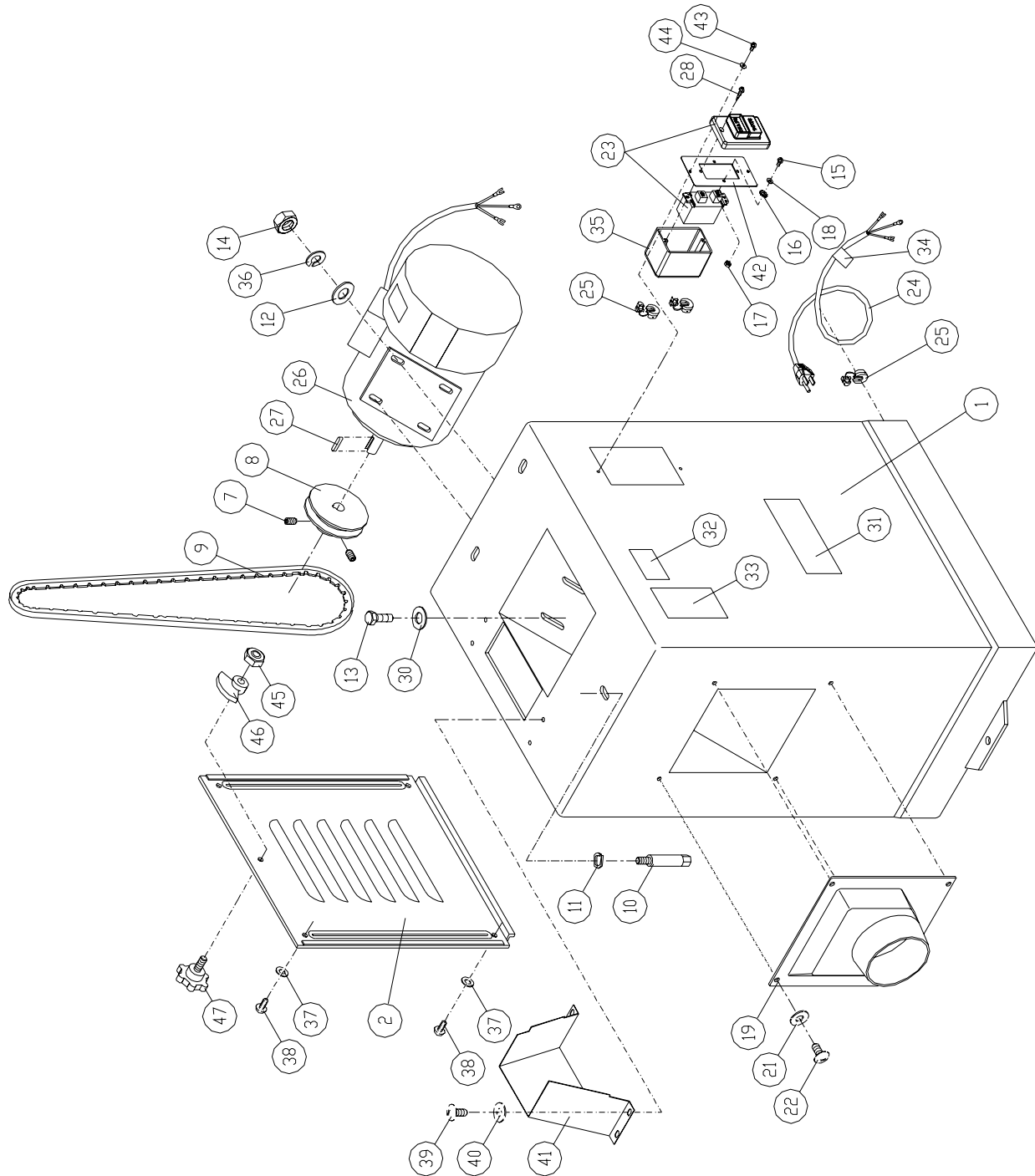
| Index No. | Part No. | Description | Size | Qty. |
|-----------|--------------|--|---------------|------|
| 1 | JJ-Y01W | Stand Body | | 1 |
| 2 | JJ-Y01AW | Access Cover | | 1 |
| 7 | TS-0267041 | Set Screw | 1/4"-20x3/8" | 2 |
| 8 | JH-M10 | Motor Pulley (JJ-6CSX) | | 1 |
| | 6296125 | Motor Pulley (JJ-6CSDX) | | 1 |
| 9 | VB-A36 | V-Belt (JJ-6CSX) | A-36 | 1 |
| | VB-A37 | V-Belt (JJ-6CSDX) | A-37 | 1 |
| 10 | JC-M07 | Lock Bolt* | 3/8"-16 | 3 |
| 11 | TS-0720091 | Lock Washer* | 3/8" | 3 |
| 12 | TS-0680031 | Flat Washer | 5/16" | 4 |
| 13 | TS-0051031 | Hex Head Bolt | 5/16"-18x3/4" | 4 |
| 14 | TS-0561021 | Hex Nut | 5/16"-18 | 4 |
| 15 | TS-081B042 | Screw | #8-32x5/8" | 2 |
| 16 | 5EA-D05 | Star Washer | #8 | 2 |
| 17 | TS-0560061 | Hex Nut | #8-32 | 2 |
| 18 | TS-1550021 | Flat Washer | M4 | 2 |
| 19 | JEX-S02 | Dust Chute | | 1 |
| 21 | TS-0680021 | Flat Washer* | 1/4" | 4 |
| 22 | TS-081F032 | Screw* | 1/4"-20x1/2" | 4 |
| 23 | 994542 | Switch | | 1 |
| 24 | JJ-X02 | Power Cord | | 1 |
| 25 | 5QA-I04 | Strain Relief Bushing | | 3 |
| 26 | JJ-X04W | Motor | 1HP | 1 |
| | JJ-X04-AA | Centrifugal Switch (not shown) | | 1 |
| | JJ-X04-B | Capacitor (motor – not shown) | 300MFD 125VAC | 1 |
| | JJ-X04-CA | Capacitor Cover | | 1 |
| | JJ-X04-DA | Junction Box (motor – not shown) | | 1 |
| | JJ-X04-EA | Junction Box Cover (motor – not shown) | | 1 |
| | JJ-X02-A | Motor Cord (not shown) | | 1 |
| | JJ6CS-HK | Hardware Kit (not shown) | | 1 |
| | TS-152704 | Hex Key Wrench (3mm – not shown)* | | 1 |
| | JJ6CS-OEW | Open End Wrench (8/10mm – not shown)* | | 1 |
| | JJ6CS-OEW2 | Open End Wrench (12/14mm – not shown)* | | 1 |
| | TS-227D081 | Hex Wrench (8mm – not shown)** | | 1 |
| | JJ6CSDX-326A | T-Hex Wrench (4mm – not shown)** | | 1 |
| 27 | JJ6-03CS | Key | 5x5x30 | 1 |
| 28 | 5AL-C10B | Tapping Screw | M4x25 | 2 |
| 30 | TS-0680031 | Flat Washer | 5/16" | 4 |
| 31 | PG-M02 | JET Logo Label | | 1 |
| 32 | JJ6CSX-332 | Warning Label | | 1 |
| 33 | JEB-S07 | Warning Label | | 1 |
| 34 | JEB-S08 | Voltage Label | | 1 |
| 35 | JEB-S09 | Switch Box | | 1 |
| 36 | TS-0720081 | Lock Washer | 5/16" | 4 |
| 37 | TS-1550021 | Flat Washer* | M4 | 4 |
| 38 | TS-0803032 | Screw* | #5-40x3/8" | 4 |
| 39 | TS-081F032 | Screw* | 1/4"-20x1/2" | 4 |
| 40 | TS-0680021 | Flat Washer* | 1/4" | 4 |
| 41 | JEY-S03W | Belt Guard | | 1 |
| 42 | JEY-S07 | Plate | | 1 |
| 43 | TS-081C032 | Screw | #10-24x1/2" | 2 |
| 44 | TS-069204 | Flat Washer | #10 | 2 |

* included in Hardware Kit for JJ-6CSX

, included in Hardware Kit for JJ-6CSDX

Stand – Parts and Assembly, JJ-6CSX and JJ-6CSDX

| | | | | |
|---------|-----------------|-----------------|--------------|---|
| 45..... | TS-0561031..... | Hex Nut..... | 3/8"-16..... | 1 |
| 46..... | JC-M05..... | Door Latch..... | | 1 |
| 47..... | JC-M04..... | Knob Screw..... | | 1 |

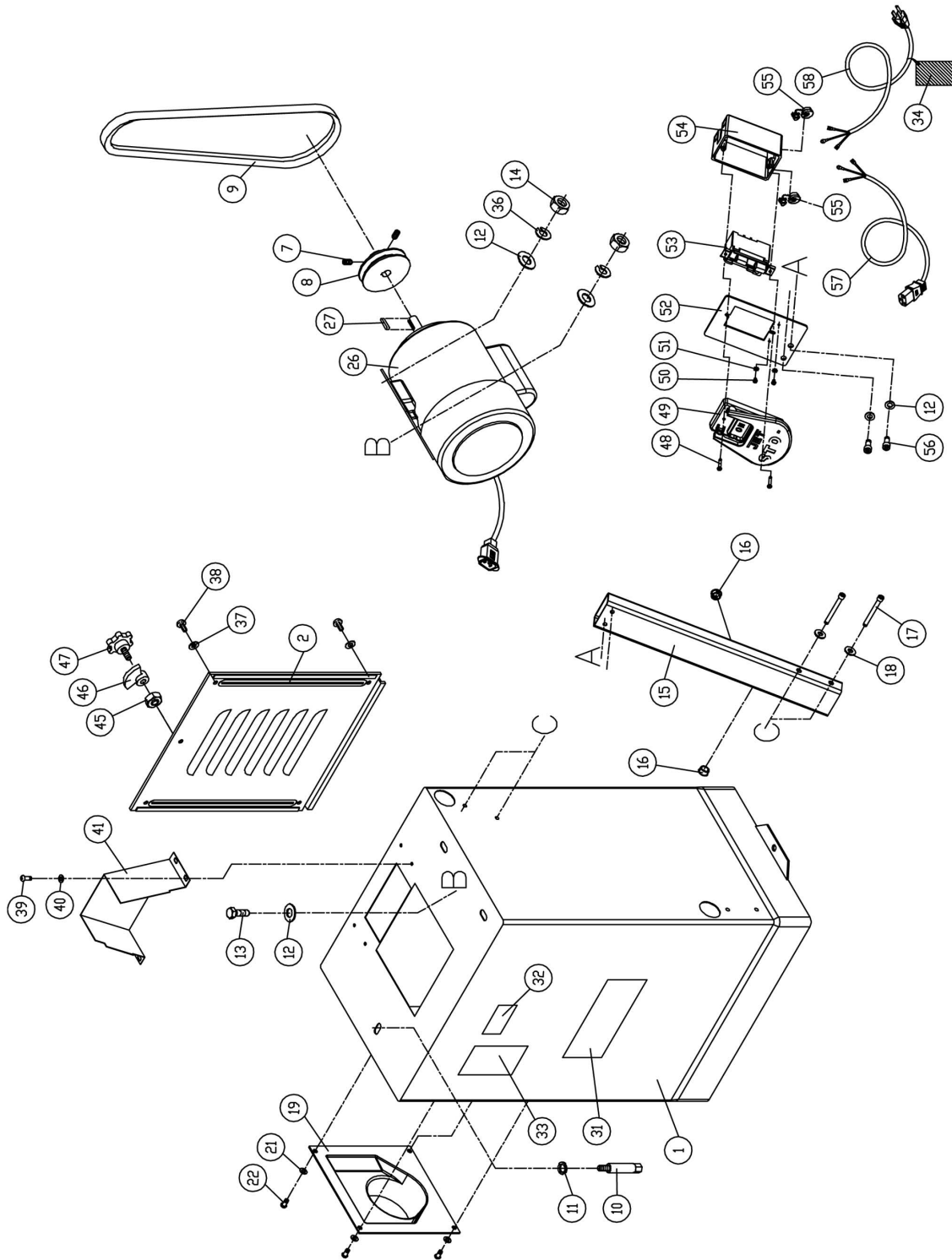


Stand – Parts, JJ-6HHDX only

| Index No. | Part No. | Description | Size | Qty. |
|-----------|-------------|---|---------------|------|
| 1 | JJ6HH-301 | Stand Body | | 1 |
| 2 | JI-Y01AW | Access Cover | | 1 |
| 7 | TS-0267041 | Set Screw | 1/4"-20x3/8" | 2 |
| 8 | 6296125 | Motor Pulley | | 1 |
| 9 | VB-A37 | V-Belt | A-37 | 1 |
| 10 | JC-M07 | Lock Bolt* | 3/8"-16 | 3 |
| 11 | TS-0720091 | Lock Washer* | 3/8" | 3 |
| 12 | TS-0680031 | Flat Washer | 5/16" | 10 |
| 13 | TS-0081031 | Hex Cap Screw | 5/16"-18x3/4" | 4 |
| 14 | TS-0561021 | Hex Nut | 5/16"-18 | 4 |
| 15 | JJ6HH-315 | Switch Arm | | 1 |
| 16 | JJ6HH-316 | Cord Protector | | 2 |
| 17 | TS-0208141 | Socket Head Cap Screw* | 5/16"-18x3" | 2 |
| 18 | TS-0680031 | Flat Washer* | 5/16" | 2 |
| 19 | JEX-S02 | Dust Chute | | 1 |
| 21 | TS-0680021 | Flat Washer* | 1/4" | 4 |
| 22 | TS-081F032 | Screw* | 1/4"-20x1/2" | 4 |
| 26 | JI-X04W | Motor | 1HP | 1 |
| | JI-X04-AA | Centrifugal Switch (not shown) | | 1 |
| | JI-X04-B | Capacitor (motor – not shown) | 300MFD 125VAC | 1 |
| | JI-X04-CA | Capacitor Cover | | 1 |
| | JI-X04-DA | Junction Box (motor – not shown) | | 1 |
| | JI-X04-EA | Junction Box Cover (motor – not shown) | | 1 |
| | JI-X02-A | Motor Cord (not shown) | | 1 |
| | TS-152704 | Hex Key Wrench (3mm – not shown)* | | 1 |
| | TS-152707 | Hex Key Wrench (6mm – not shown)* | | 1 |
| | JJ6CS-OEW | Open End Wrench (8/10mm – not shown)* | | 1 |
| | JJ6CS-OEW2 | Open End Wrench (12/14mm – not shown)* | | 1 |
| 27 | JJ6-03CS | Key | 5x5x30 | 1 |
| 31 | PG-M02 | JET Logo Label | | 1 |
| 32 | JJ6CSX-332 | Warning Label | | 1 |
| 33 | JEB-S07 | Warning Label | | 1 |
| 34 | JEB-S08 | Voltage Label | | 1 |
| 36 | TS-0720081 | Lock Washer | 5/16" | 4 |
| 37 | TS-1550021 | Flat Washer* | M4 | 4 |
| 38 | TS-0803032 | Screw* | #5-40x3/8" | 4 |
| 39 | TS-081F032 | Screw* | 1/4"-20x1/2" | 4 |
| 40 | TS-0680021 | Flat Washer* | 1/4" | 4 |
| 41 | JEY-S03W | Belt Guard | | 1 |
| 45 | TS-0561031 | Hex Nut | 3/8"-16 | 1 |
| 46 | JC-M05 | Door Latch | | 1 |
| 47 | JC-M04 | Knob Screw | | 1 |
| 48 | JJ6HH-348 | Screw | M4x25 | 2 |
| 49 | JPS10TS-342 | Stop Switch Face Plate | | 1 |
| 50 | TS-2171012 | Screw | M4x6 | 2 |
| 51 | JJ6HH-351 | Star Washer | M4 | 2 |
| 52 | JJ6HH-352 | Switch Plate | | 1 |
| 53 | JPS10TS-343 | Main Switch | | 1 |
| 54 | JPS10TS-347 | Switch Box | | 1 |
| 55 | JJ6HH-355 | Strain Relief | | 2 |
| 56 | TS-0208021 | Socket Head Cap Screw | 5/16"-18x1/2" | 2 |
| 57 | JJ6HH-357 | Motor Cord | | 1 |
| 58 | JJ6HH-358 | Power Cord | | 1 |
| 59 | JJ6HH-113 | Star Point Screwdriver (not shown)* | | 2 |
| | JJ6HH-HK | Hardware Kit (contains items marked with *) | | 1 |

* included in JJ6HH-HK, Hardware Kit

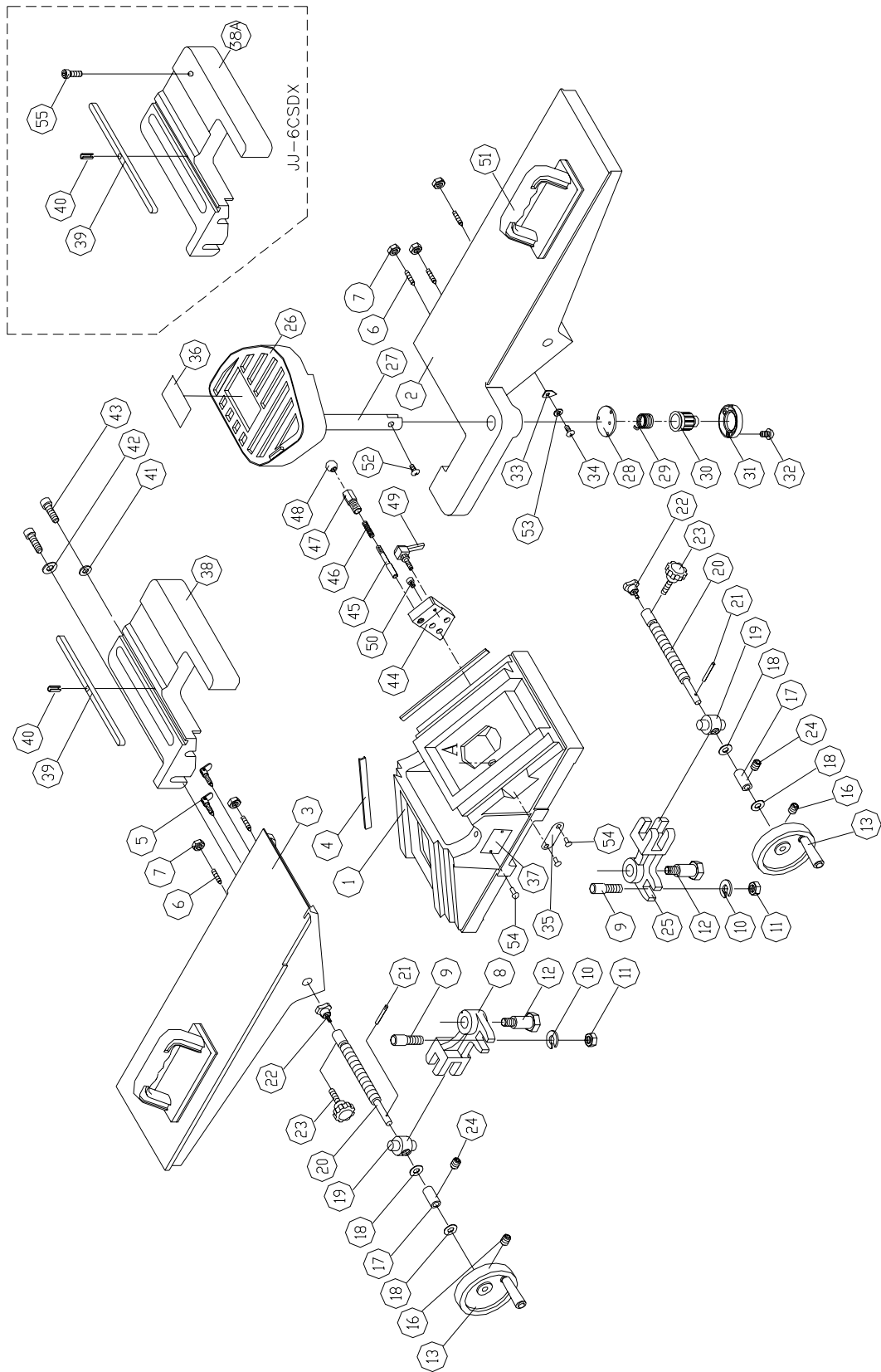
Stand – Assembly, JJ-6HHDX only



Bed – Parts All Models

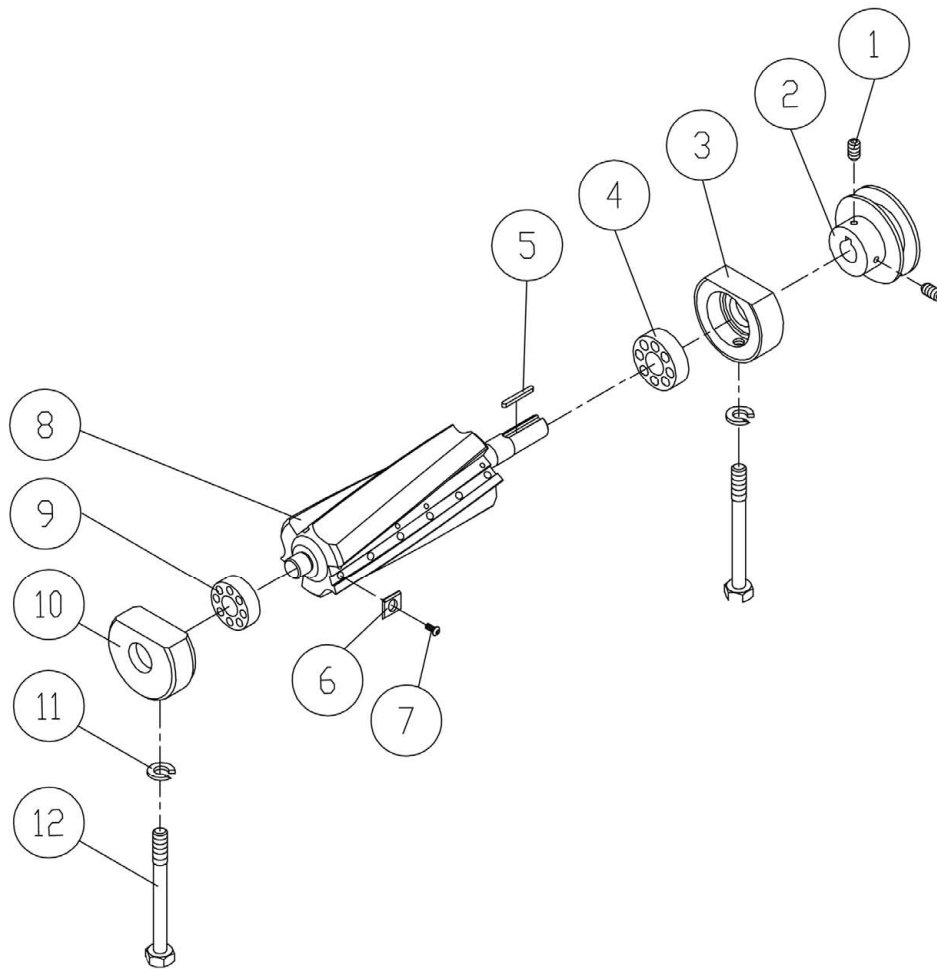
| Index No. | Part No. | Description | Size | Qty. |
|-----------|-------------|------------------------|----------------|------|
| 1 | JI-T01W | Base | | 1 |
| 2 | JI-T02W | Front Table (JJ-6CSX) | | 1 |
| | JJ6CSDX-402 | Front Table (JJ-6CSDX) | | 1 |
| 3 | JI-T03W | Rear Table (JJ-6CSX) | | 1 |
| | JJ6CSDX-403 | Rear Table (JJ-6CSDX) | | 1 |
| 4 | JI-T04 | Gib | | 2 |
| 5 | JH-T30 | Lock Screw | | 2 |
| 6 | TS-0267091 | Set Screw | 1/4"-20x1" | 5 |
| 7 | TS-0561011 | Hex Nut | 1/4"-20 | 5 |
| 8 | JI-T07W | Ball Crank | | 1 |
| 9 | JI-T06 | Shoulder Pin | | 2 |
| 10 | TS-0680061 | Flat Washer | 1/2" | 2 |
| 11 | PJ882-118 | Hex Nut | 1/2"-12 | 2 |
| 12 | JH-T11 | Pivot Pin | | 2 |
| 13 | JJ6CSX-413 | Handwheel Assembly | | 2 |
| 16 | TS-0267041 | Set Screw | 1/4"-20x3/8" | 2 |
| 17 | JH-T16 | Bushing | | 2 |
| 18 | JH-T17 | Washer | | 4 |
| 19 | JH-T18 | Adjusting Nut | | 2 |
| 20 | JH-T19 | Adjusting Screw | | 2 |
| 21 | 5F-E108 | Pin | Ø3x24 | 2 |
| 22 | JH-T20 | Lock Knob | | 2 |
| 23 | JH-T21 | Lock Knob | | 2 |
| 24 | TS-0270031 | Set Screw | 5/16"-18x3/8" | 2 |
| 25 | JH-T12W | Ball Crank | | 1 |
| 26 | JH-T22 | Cutterhead Guard | | 1 |
| 27 | JH-T23 | Guard Post | | 1 |
| 28 | JH-T24 | Retaining Washer | | 1 |
| 29 | JH-T25 | Spring | | 1 |
| 30 | JH-T26 | Spring Knob | | 1 |
| 31 | JH-T27 | Retainer | | 1 |
| 32 | TS-081B042 | Screw | #8-32x5/8" | 3 |
| 33 | JC-T17 | Pointer | | 1 |
| 34 | TS-081B012 | Screw | #8-32x1/4" | 1 |
| 35 | JJ6-19 | Depth Scale | | 1 |
| 36 | JJ6-01CS | Warning Label | | 1 |
| 37 | JJ6-02CS | I.D Label (JJ-6CSX) | | 1 |
| | JJ6CSDX-437 | I.D Label (JJ-6CSDX) | | 1 |
| | JJ6HH-437 | I.D Label (JJ-6HHDX) | | 1 |
| 38 | JEJ-B14W | Fence Base (JJ-6CSX) | | 1 |
| 38A | JJ6CSDX-438 | Fence Base (JJ-6CSDX) | | 1 |
| 39 | JED-B02 | Key | | 1 |
| 40 | 5FF-J12 | Spring Pin | Ø4x20 | 1 |
| 41 | TS-0680041 | Flat Washer | 3/8" | 1 |
| 42 | TS-0680041 | Flat Washer | 3/8" | 1 |
| 43 | TS-0209071 | Socket Head Cap Screw | 3/8"-16x1-1/2" | 2 |
| 44 | JEY-B01 | 1/8" Set Block | | 1 |
| 45 | JEA-B06 | Stud | | 1 |
| 46 | JEA-B08 | Spring | | 1 |
| 47 | JEA-B09 | Stud | | 1 |
| 48 | 5DF-B05 | Knob | | 1 |
| 49 | 5CO-D09B | Lock Handle | 1/4"-20x7/8" | 1 |
| 50 | TS-0208041 | Hex Socket Cap Screw | 5/16"-18x3/4" | 3 |
| 51 | 708815 | Push Block | | 2 |
| 52 | TS-1533032 | Screw | M5x0.8Px10 | 1 |
| 53 | TS-1550021 | Flat Washer | M4 | 1 |

54.....5F-H051.....Rivet.....6
 55.....TS-0207021.....Socket Head Cap Screw (JJ-6CSDX).....1/4"-20x1/2".....1



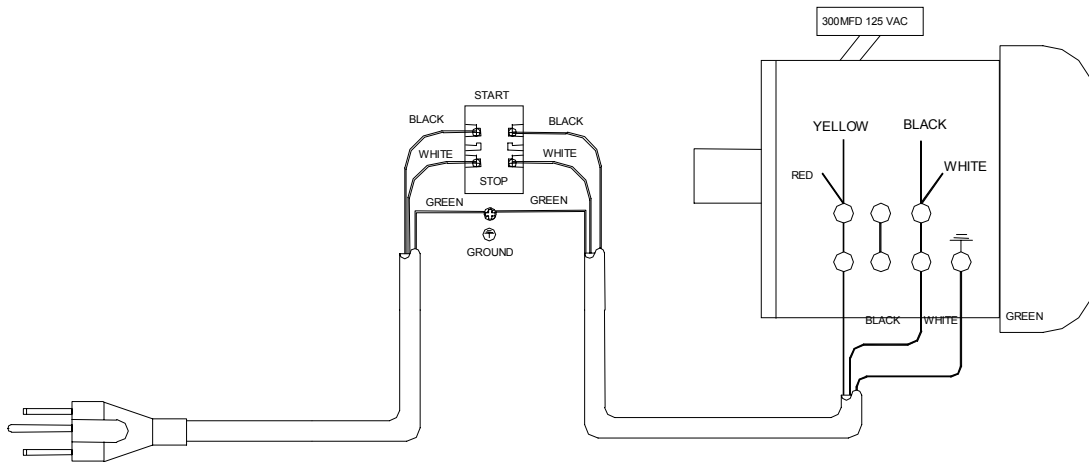
Cutterhead – Parts and Assembly JJ-6HHDX

| Index No. | Part No. | Description | Size | Qty. |
|-----------|-------------------|---|---------------------|----------|
| | JJ6HH-CA..... | Cutterhead Assembly (Index # 1 thru 12)..... | | 1 |
| 1..... | TS-0267041..... | Socket Set Screw..... | 1/4"-20x3/8..... | 2 |
| 2..... | JH-C07..... | Cutterhead Pulley..... | | 1 |
| 3..... | JH-C04..... | Bearing Housing..... | | 1 |
| 4..... | BB-6203VV..... | Ball Bearing..... | 6203VV..... | 1 |
| 5..... | 5F-G108..... | Key..... | 5x5x25..... | 1 |
| | 1791221-4..... | Helical Cutterhead Unit (Index # 6 thru 8)..... | | 1 |
| 6..... | 1791212..... | Knife Insert (set of 10)..... | | total 27 |
| 7..... | JWP208HH-111..... | Knife Insert Screw..... | #10-32x1/2..... | 27 |
| 8..... | JJ6HH-108..... | Helical Cutterhead..... | | 1 |
| 9..... | BB-6202VV..... | Ball Bearing..... | 6202VV..... | 1 |
| 10..... | 3H-C02..... | Bearing Housing..... | | 1 |
| 11..... | TS-0720091..... | Lock Washer..... | 3/8"..... | 2 |
| 12..... | JEA-B01..... | Bolt..... | 3/8"-24x3-1/2"..... | 2 |



Wiring Diagram – All Models

ELECTRICAL SCHEMATIC - 115V



ELECTRICAL SCHEMATIC - 230V

