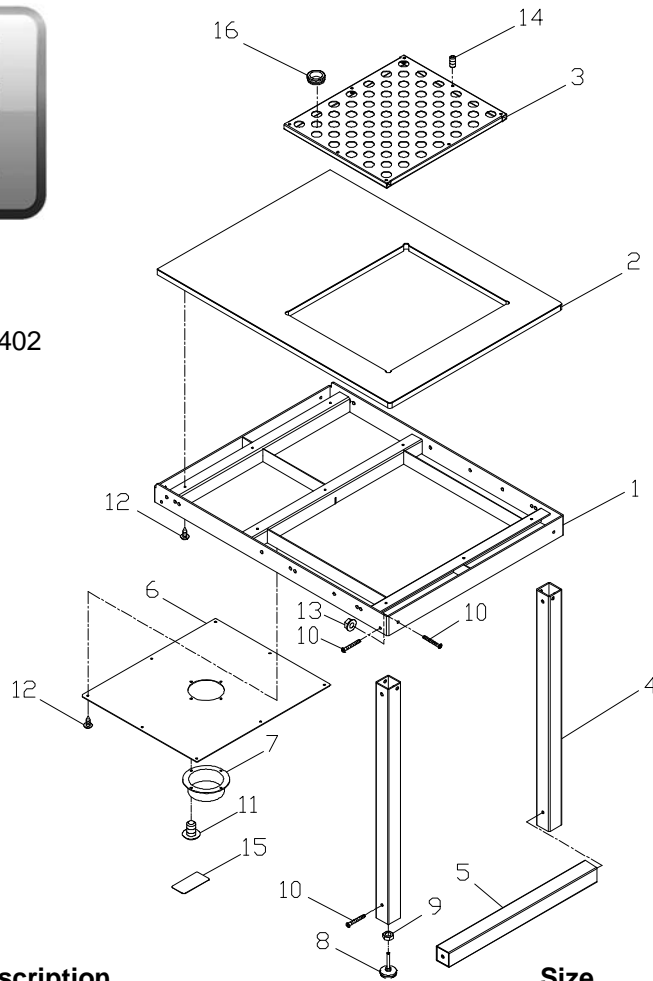




# Downdraft Table

Stock Numbers: 708400, 708401, 708402



## Parts

Index	Part No	Description	Size	Qty
1.....	708400-1 .....	Steel Frame (for 708400).....		1
	708401-1 .....	Steel Frame (for 708401).....		1
2.....	708400-2 .....	Table Board (for 708400).....		1
	708401-2 .....	Table Board (for 708401).....		1
3.....	708400-3 .....	Dust Grate.....		1
4.....	708400-4 .....	Leg.....		2
5.....	708400-5 .....	Cross Brace (for 708400).....		1
	708401-5 .....	Cross Brace (for 708401).....		1
6.....	708400-6 .....	Dust Pan .....		1
7.....	JSG96-141 .....	Dust Chute .....		1
8.....	708400-8 .....	Adjustable Foot .....	5/16"-18x2"	2
9.....	TS-0561021 .....	Hex Nut.....	5/16"-18.....	2
10.....	708400-10 .....	Button Head Socket Screw.....	5/16"-18x2-1/2"	6
11.....	TS-0813022.....	Machine Screw.....	1/4"-20x3/8"	4
12.....	708400-12 .....	Wood Screw.....	M5x16 .....	17
13.....	708400-13 .....	Serrated Hex Flange Nut .....	5/16"-18.....	4
14.....	TS-0266041 .....	Socket Set Screw .....	#10-24x3/8"	8
15.....	708400-15 .....	Shim.....		8
16.....	708400-16 .....	Rubber Grommet.....		10

To order parts, call our service department at 800-274-6848 Monday through Friday (see our website for business hours). Having the Model Number and Serial Number will allow us to serve you quickly and accurately

## JET

427 New Sanford Road  
 LaVergne, Tennessee 37086  
 Ph.: 800-274-6848  
 www.jettools.com

**Part No. M-708400**

Revision A2 02/2014

Copyright © 2014 JET, a Division of JPW Industries, Inc.