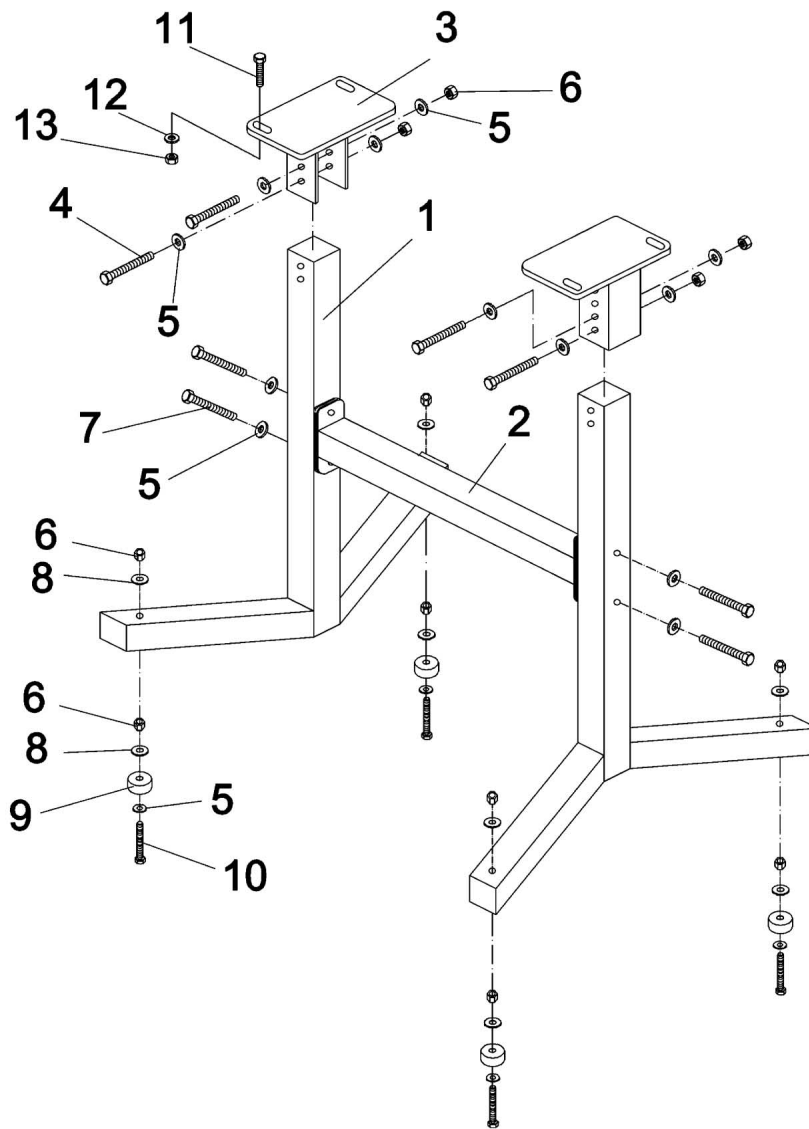


Parts List for JWL-1220S Lathe Stand (#708378)



Index No.	Part No.	Description	Size	Qty
1.....	JML-S01	Leg		2
2.....	JWL1220S-02.....	Support.....		1
3.....	JWL1220S-03.....	Bracket		2
4.....	TS-0060131	Hex Cap Screw*	3/8-16 x 3.....	4
5.....	TS-0680041	Flat Washer*	3/8.....	16
6.....	TS-0561031	Hex Nut*	3/8-16.....	12
7.....	TS-0060111	Hex Cap Screw*	3/8-16 x 2-1/2.....	4
8.....	TS-0680041	Flat Washer*	3/8.....	8
9.....	JML-S09	Leveling Pad*		4
10.....	TS-0060151	Hex Cap Screw*	3/8-16 x 3-1/2.....	4
11.....	TS-0050061	Hex Cap Screw*	1/4-20 x 1-1/4.....	4
12.....	TS-0680021	Flat Washer*	1/4.....	4
13.....	TS-0561011	Hex Nut*	1/4-20.....	4
.....	JML-SHK	Hardware Kit		1

* included in hardware kit