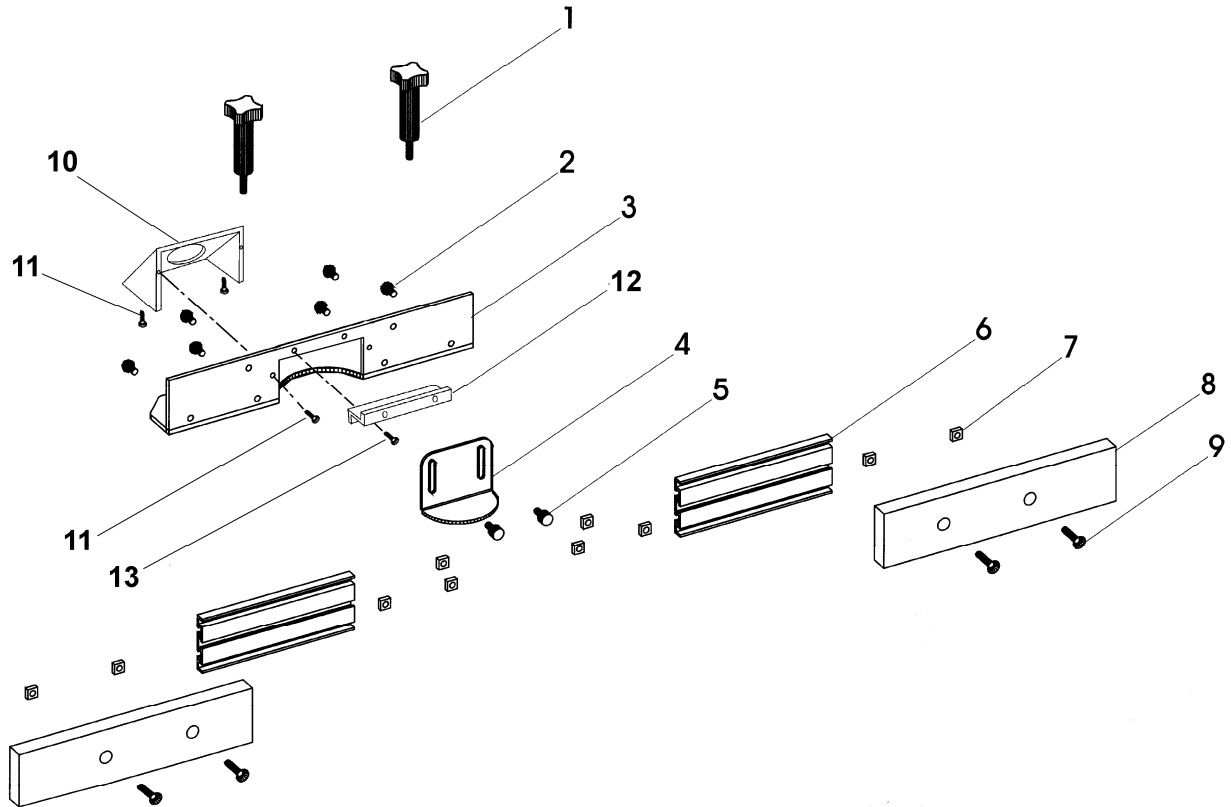


# Replacement Parts

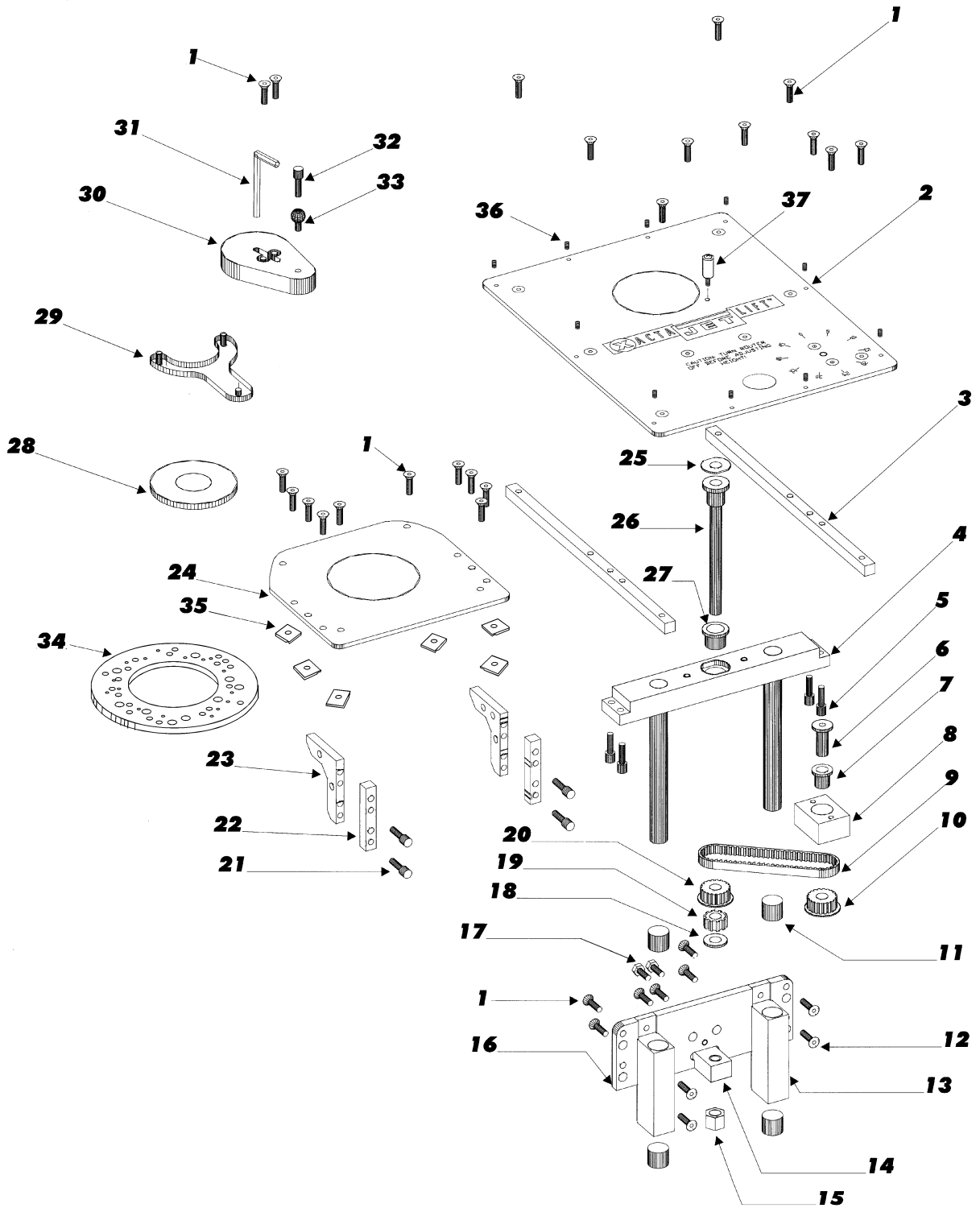
Replacement parts are listed on the following pages. To order parts or reach our service department, call 1-800-274-6848, Monday through Friday (see our website for business hours, [www.waltermeier.com](http://www.waltermeier.com)). Having the Model Number and Serial Number of your machine available when you call will allow us to serve you quickly and accurately.

## XACTA Lift Deluxe Fence Assembly



Index No.	Part No.	Description	Size	Qty
	708125F	XACTA-LIFT Deluxe Fence (Items 1 thru 13)		1
1	XLIFT-M0026	Fence Clamping Knobs		2
2	XLIFT-E0040	Button Head Screw	1/4-20 x 1/2"	6
3	XLIFT-E0032	Aluminum Fence Bracket	2-1/2" x 2-1/2" x 3/16" x 14"	1
4	XLIFT-M0039	Fence Guard	1/8 Polycarbonate	1
5	XLIFT-M0028	Guard Clamping Knob		2
6	XLIFT-E0030	Aluminum Fence Extension	7/16" x 2-1/2" x 7"	2
7	XLIFT-F0028	Square Nut	1/4-20	10
8	XLIFT-M0040	MDF Sub Fences	3/4" x 2-1/2" x 10-3/4"	2
9	XLIFT-F0017	Flat Head Screws	1/4-20 x 1"	4
10	XLIFT-E0032A	Plastic Dust Collector Connector		1
11	TS-081A032	Pan Head Phillips Machine Screw	#6-32 x 1/2"	4
12	XLIFT-E0032B	Aluminum Safety Guard Bracket		1
13	TS-081A012	Pan Head Phillips Machine Screw	#6-32 x 1/4"	2

# XACTA Lift Deluxe Fence Assembly



## XACTA Lift Assembly

Index No.	Part No.	Description	Size	Qty
1	XLIFT-F0001	Flat Head Cap Screw	1/4-20 x 3/4	28
2	XLIFT-P0003-1	Aluminum Main Plate	14-3/4 x 11-3/4 x 1/4	1
3	XLIFT-S0001-1	Steel Side Supports	1/2 x 1/2 x 13-1/4	2
4	XLIFT-E0001-1	Aluminum Shaft Mounting Block	1 x 1-1/2 x 10.1	1
5	XLIFT-F0002	Socket Head Cap Screw	1/4-20 x 7/8	4
6	XLIFT-M0001	Steel Drive Pulley Spindle		1
7	XLIFT-M0006	Bronze Flange Bearing	3/4 x 7/8 x 3/4	1
8	XLIFT-E0001-2	Drive Pulley Mounting Block	1 x 1-1/2 x 2	1
9	XLIFT-M0011	Rubber Timing Belt	130 XL x 3/8	1
10	XLIFT-M0005	Drive Pulley (Delrin)	20 XL x 3/8	1
11	XLIFT-M0009	Bronze Sleeve Bearing	3/4 x 7/8 x 3/4	4
12	XLIFT-F0005	Flat Head Cap Screw	1/4-20 x 1	4
13	XLIFT-E0001-3	Aluminum Bearing Mounts	1 x 1-1/2 x 4	2
14	XLIFT-S0002-1	Steel Carriage Nut	3/4 x 1 x 1-1/2	1
15	XLIFT-F0003	Nylon Insert Lock Nut	1/2-20	1
16	XLIFT-E0002-1	Aluminum Carriage Bracket	3/8 x 3 x 8-1/2	1
17	XLIFT-F0006	Half Dog Pt. Set Screw (Anti-Backlash)	1/4-20 x 1	1
18	XLIFT-M0012	Rubber Washer	1/2 x 1-1/16 x .093	1
19	XLIFT-M0003	Brass Anti-Backlash Nut	1 x .450 x 1/2-20	1
20	XLIFT-M0004	Threaded Pulley (Delrin)	20 XL w/ 1/2-20	1
21	XLIFT-F0004	Socket Head Cap Screw	1/4-20 x 1	4
22	XLIFT-S0001-2	Carriage Mounting Block	1/2 x 1/2 x 3 Steel	2
23	XLIFT-E0002-2	Aluminum Carriage Gusset	3/8 x 2-1/2 x 3	2
24	XLIFT-P0002	Aluminum Carriage Plate	7.9 x 8-1/2 x 3/16	1
25	XLIFT-M0007	Bronze Thrust Washer	9/16 x 1-1/4 x 1/16 thk.	1
26	XLIFT-M0042	Carriage Lead Screw		1
27	XLIFT-M0008	Bronze Flange Bearing	1/2 x 5/8 x 3/4 Lg	1
28	XLIFT-M0017-1	Phenolic Insert Ring	1-1/2 hole opening	1
29	XLIFT-M0016-1	Insert Wrench		1
30	XLIFT-M0018	Lift Handle (Arboron)		1
31	XLIFT-M0015	Hex Key	1/4	1
32	XLIFT-F0007	Socket Head Cap Screw	1/4-20 x 1-1/4	1
33	XLIFT-M0041-1	Phenolic Lift Handle Knob	1/4" Cored Hole	1
34	XLIFT-P0009	Master Ring		1
35	XLIFT-P0011	Master Ring Clamp		6
36	XLIFT-F0008	Oval Point Socket Set Screw	1/4-28 x 1/4	10
37	XLIFT-P0012	Starter Pin		1