

## Body Assembly (JWBS-14OS Band Saw)

Index No.	Part No.	Description	Size	Qty
1	JWBS14OS-101	Base		1
2	990180	Hex Cap Screw	M16x55	1
3	TS-155010	Flat Washer	M16	2
4	TS-154010	Hex Nut	M16	1
5	100031	Pin		4
6	JWBS14OS-106	Lower Wheel Shaft		1
7	BB-6204VV	Ball Bearing	6204LLU	2
8	KD050525	Key	5x5x25	2
9	TS-1550061	Flat Washer	M8	1
10	TS-2248162	Button Head Socket Screw	M8x16	1
11	JWBS14OS-111	Motor	3/4HP, 115/230V, 60Hz	1
	JWBS14OS-SC	Starting Capacitor (not shown)	200MFD, 125VAC	1
	JWBS14OS-CC	Capacitor Cover (not shown)		1
	JWBS14OS-CSS	Centrifugal Switch Set (not shown)		1
	JWBS14OS-MFC	Motor Fan Cover (not shown)		1
12	JWBS14OS-112	Motor Pulley		1
13	TS-1523031	Set Screw	M6x10	1
14	994534	Switch	Tumble Type	1
15	990811	Tapping Screw	M3.5x12	2
16	TS-1550021	Flat Washer	M4	2
17	JWBS14OS-117	Switch Plate		1
18	TS-1533052	Pan Head Screw	M5x16	2
19	WE050000	Star Washer	M5	2
20	523028	Switch Box		1
21	150056	Switch Backing Plate		1
23	990821	Pan Head Screw	M5x6	2
24	998654	Strain Relief		2
25	JWBS14OS-125	Power Cord		1
26	JWBS14OS-126	Motor Cord		1
27	998623	Strain Relief		1
28	JWBS14OS-128	Upper Frame Arm		1
29	990651	Lock Knob	M10x30	1
	100016ACP-1	Sliding Bracket Assembly (includes #30-39,125) <i>(serial no. 07112632 and higher)</i>		1
	100016ACP	Sliding Bracket Assembly <i>(serial no. 07112631 and lower)</i>		1
30	100016A-1	Sliding Bracket <i>(serial no. 07112632 and higher)</i>		1
31	NW080000	Wing Nut	M8	1
32	990652	Lock Knob	M8x45	1
33	990653	Blade Adjusting Screw		1
34	100021	Steel Pin		2
	A100019	Upper Wheel Shaft Hinge Assy (includes #35 thru 37)		1
35	150086	Upper Wheel Shaft		1
36	992314	Spring Pin	φ4x24	1
37	100019	Upper Wheel Shaft Hinge		1
38	100015A	Coil Spring		1
39	150090	Square Nut	M10	1
40	JWBS14OS-140	Upper Wheel		1
41	100025A	Wheel Protector		2
42	TS-1540083	Hex Nut	M12	1
43	992522	Retaining Ring	R35	2
44	BB-6202ZZ	Ball Bearing	6202ZZ	2
45	JWBS14OS-145	Lower Wheel		1
46	TS-1550061	Flat Washer	M8	1
47	JWBS14OS-147	Hex Head Bolt (Left Thread)	M8x20	1
48	JWBS14OS-148	Lower Wheel Guard		1
49	150024	Catch Knob	M8	2
50	WI080000	Gear Washer	M8	2

## Body Assembly (JWBS-14OS Band Saw)

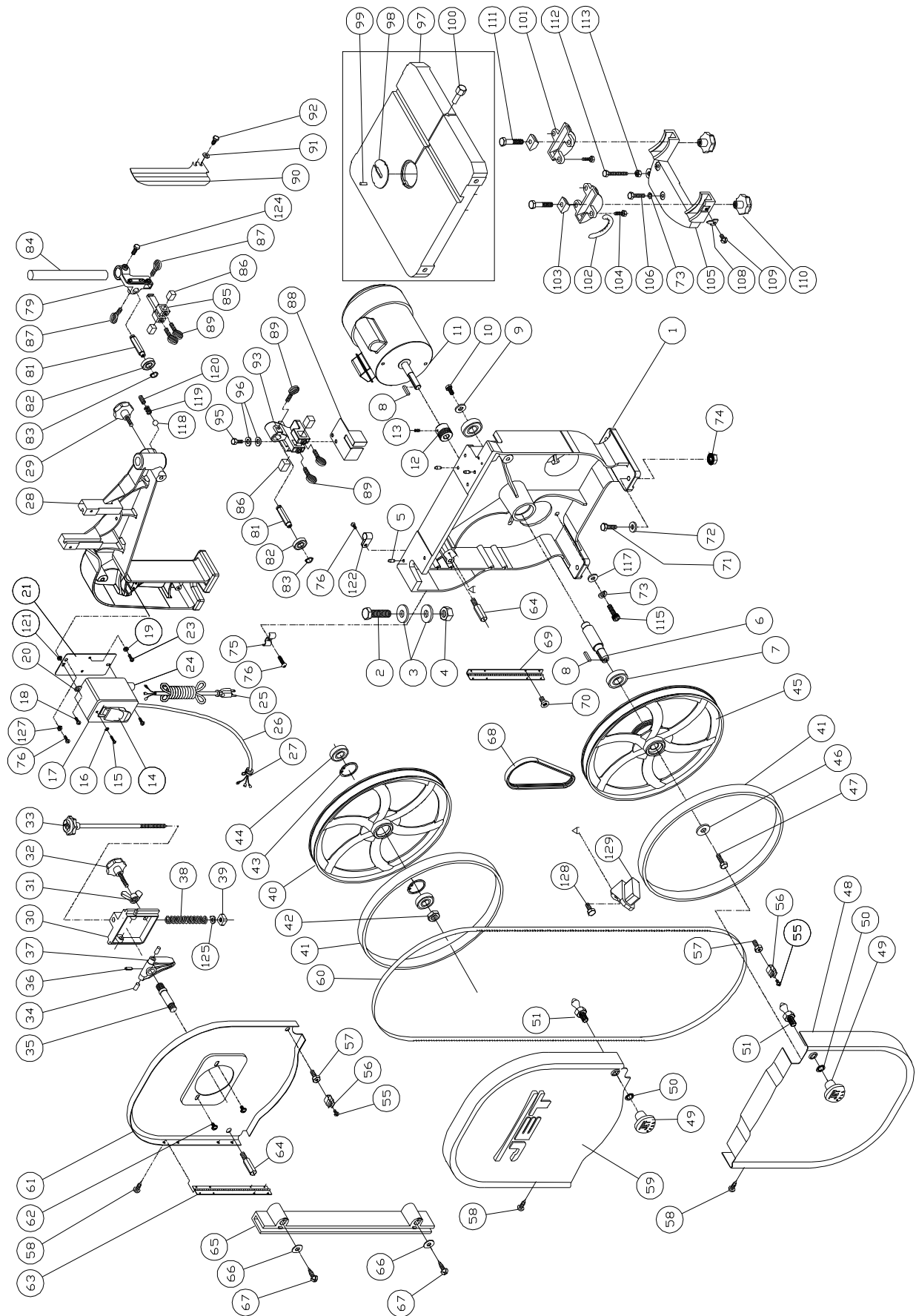
Index No.	Part No.	Description	Size	Qty
51	PWBS14-136	Stud Latch		2
55	TS-1533042	Pan Head Screw	M5x12	2
56	150079	Catch		2
57	150054	Locating Bolt		2
58	990804	Tapping Screw	M4x8	12
59	150029W	Outer Wheel Cover		1
60		Saw Blade	6TPI 93-1/2"x3/8"	1
61	150028W	Inner Wheel Cover		1
62	JWBS14OS-162	Washer Head Screw	M5x8	2
63	150901	Upper Hinge		1
64	150066	Stud		2
65	110070	Blade Guard		1
66	150097	Washer		2
67	990811	Tapping Screw	M3.5x12	2
68	JWBS14OS-168	Poly V-Belt	185J05	1
69	150902	Lower Hinge		1
70	TS-1533032	Phillips Pan Head Machine Screw	M5x10	4
71	TS-1490061	Hex Cap Screw*	M8x35	4
72	TS-1550061	Flat Washer*	M8	4
73	TS-2361081	Lock Washer*	M8	4
74	JWBS14OS-174	Serrated Hex Flange Nut*	M8	4
75	523024	Wire Clip*		1
76	TS-1533042	Pan Head Screw*	M5x12	3
79	JWBS14OS-179	Upper Support Bracket Post		1
80	150013A	Thumb Screw	M6x16	1
81	150015A	Upper Spacing Sleeve		2
82	BB-6200ZZ	Ball Bearing	6200ZZ	2
83	JWBS14OS-183	Retaining Ring	S10	2
84	JWBS14OS-184	Guide Post		1
85	JWBS14OS-185	Support Bracket		1
86	708719	Guide Block		4
87	150013A	Thumb Screw	M6x16	1
88	150101	Lower Wheel Blade Guard		1
89	150014A	Thumb Screw	M6x12	5
90	100002A	Upper Wheel Blade Guard		1
91	TS-1550041	Flat Washer*	M6	2
92	TS-1482011	Hex Cap Screw *	M6x10	2
93	JWBS14OS-193	Lower Support Bracket Post		1
95	TS-1482041	Hex Cap Screw*	M6x20	2
96	TS-1550041	Flat Washer*	M6	2
97	JWBS14OS-197	Table	14"x14"	1
98	199037	Table Insert		1
99	992311	Spring Pin	φ 3x8	1
100	100038	Table Pin		1
101	100042	Trunnion		2
102	100051	Scale		1
103	100041	Trunnion Clamp Shoe		2
104	TS-1482021	Hex Cap Screw	M6x12	6
105	110045	Trunnion Support Bracket		1
106	TS-1490051	Hex Cap Screw*	M8x30	2
108	110049	Pointer		1
109	990821	Pan Head Screw	M5x6	1
110	990554	Lock Knob	M10	2
111	TS-1491081	Hex Cap Screw	M10x50	2
112	TS-1490151	Hex Cap Screw*	M8x80	1

## Body Assembly (JWBS-14OS Band Saw)

Index No.	Part No.	Description	Size	Qty
113	TS-1540061	Hex Nut*	M8	1
115	TS-1504051	Socket Head Cap Screw*	M8x25	2
117	TS-1550061	Flat Washer*	M8	2
118	994181	Steel Ball		1
119	150099	Spring		1
120	TS-1525011	Socket Set Screw	M10x10	1
121	JWBS14OS-1121	Spring Nut	M4	2
122	JWBS14OS-1122	Cord Clamp*		1
124	TS-1482031	Hex Cap Screw *	M6x16	1
125	100018	Indicator		1
127	WE050000	Gear Washer	M5	1
128	TS-1481011	Hex Cap Screw	M5x8	1
129	JWBS14OS-1129	Brush		1
	JWBS14OS-SBHK	Saw Body Hardware Kit		1

\* ..... included in Saw Body Hardware Kit, Part No. JWBS14OS-SBHK

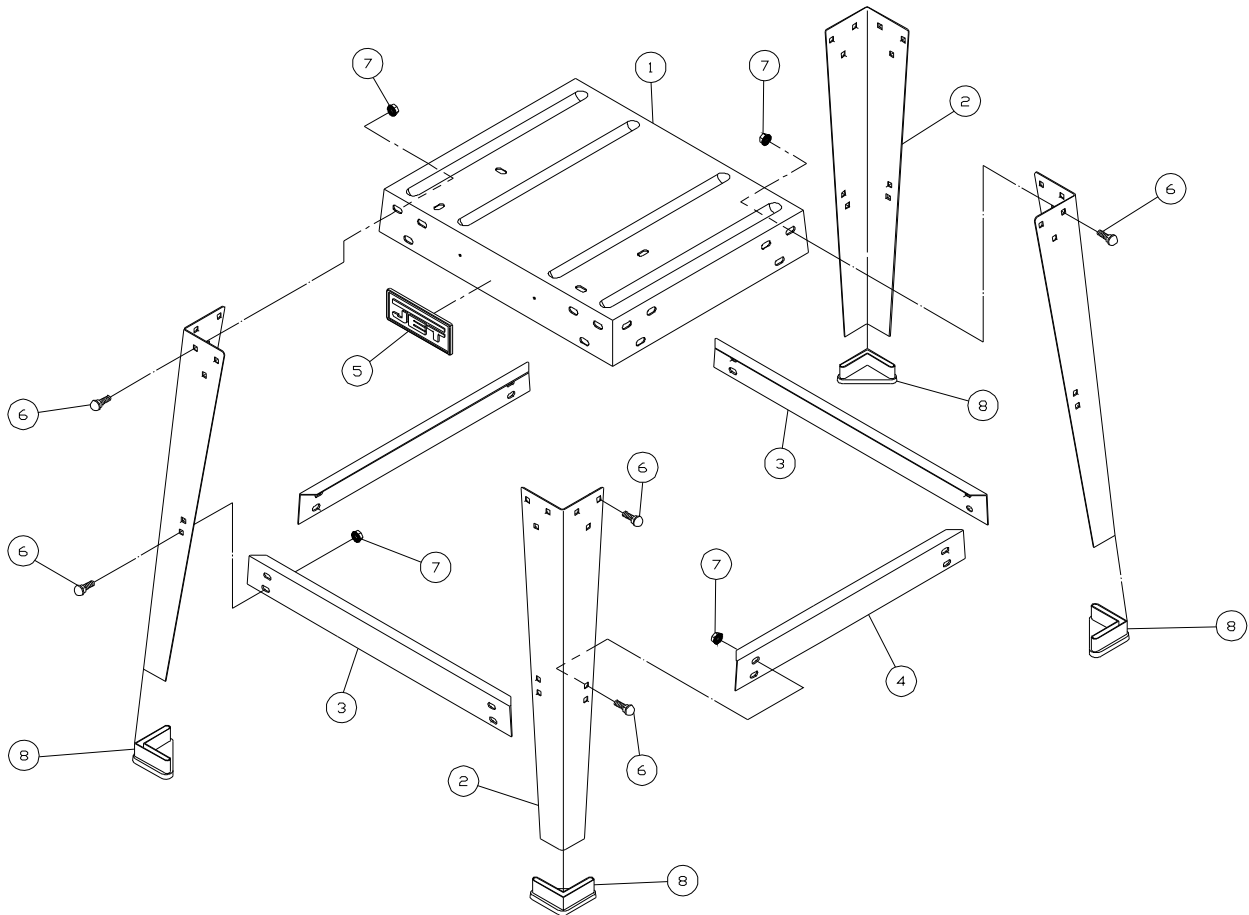
# Body Assembly (JWBS-140S Band Saw)



## Open Stand Assembly (JWBS-14OS Band Saw)

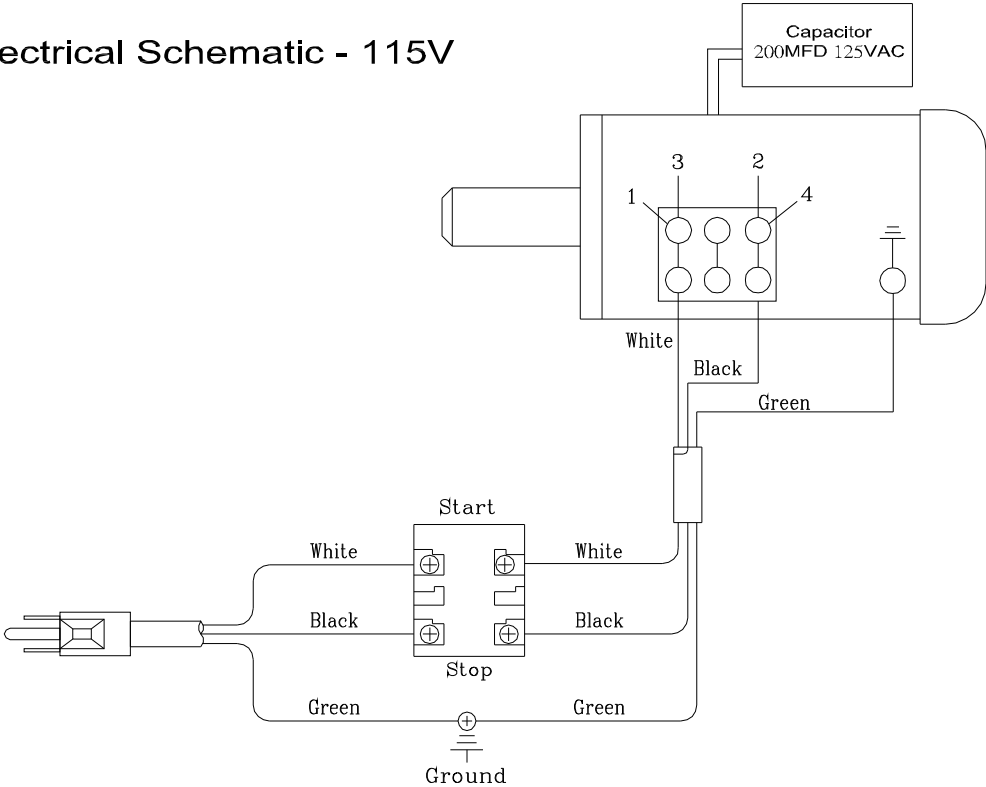
Index No.	Part No.	Description	Size	Qty
1	JWBS14OS-201	Stand Top		1
2	150603W	Stand Leg		4
3	612050W	Support Plate (long)		2
4	612051W	Support Plate (short)		2
5	JWBS14OS-205	JET Logo Label		1
6	991516	Carriage Bolt**	M8x16	40
7	JWBS14OS-174	Serrated Hex Flange Nut**	M8	40
8	JWBS14OS-208	Rubber Foot		4
	JWBS14OS-SAHK	Stand Assembly Hardware Kit		1

\*\* ..... included in Stand Assembly Hardware Kit Part No. JWBS14OS-SAHK



# Electrical Connections

## Electrical Schematic - 115V



## Electrical Schematic - 230V

