

# Parts

## Ordering Replacement Parts

To order parts or reach our service department, call 1-800-274-6848 between 7:30am and 5:30pm (CST), Monday through Friday. Having the Model Number and Serial Number of your machine available when you call

## Jointer/Planer – Parts List

**Note:** Parts without part numbers are for reference only and cannot be purchased individually.

Index No.	Part No.	Description	Size	Qty
1	JJP8BT-1	Chain Support Bracket		1
2	JJP8BT-2	Sprocket		1
3	JJP8BT-3	E-Clip	Ø6	1
4	TS-2361051	Lock Washer	M5	40
5	TS-1540031	Hex Nut	M5	9
6	TS-1550031	Flat Washer	M5	22
7	JJP8BT-7	Corner Sprocket		4
8	JJP8BT-8	Chain		1
9	JJP8BT-9	Base		1
10	JJP8BT-10	Infeed Pointer Label		1
11	TS-1502031	Socket Head Cap Screw	M5x12	3
12	JJP8BT-12	Driven Lead Screw		3
13	JJP8BT-13	Drive Lead Screw		1
14	JJP8BT-14	Extension Table		1
15	TS-1503021	Socket Head Cap Screw	M6x10	3
16	JJP8BT-16	Crank Arm Bushing		1
18	JJP8BT-18	Main Table		1
19	JJP8BT-19	Crank Arm		1
20	JJP8BT-20	Guide Rail		2
21	TS-1503041	Socket Head Cap Screw	M6x16	4
23	JJP8BT-23	Knob Screw		1
24	JJP8BT-24	Knob		1
25	JJP8BT-25	Locking Handle		2
27	TS-1532032	Pan Head Machine Screw	M4x10	3
28	TS-2361041	Lock Washer	M4	3
29	JJP8BT-29	Pointer		1
31	TS-1540021	Hex Nut	M4	2
32	JJP8BT-32	Cord Clamp		1
33	TS-1532052	Pan Head Machine Screw	M4x16	2
34	JJP8BT-34	Cover		2
35	JJP8BT-35	Rear Support		1
36	JJP8BT-36	Self-Tapping Screw	ST4.2x10	10
37	JJP8BT-37	Scale		1
38	TS-1502011	Socket Head Cap Screw	M5x8	13
39	JJP8BT-39	Power Cord Protector		1
40	JJP8BT-40	Rear Support Cover		1
41	JJP8BT-41	Pin		2
42	JJP8BT-42	Self-Tapping Screw	ST4.2x20	4
43	JJP8BT-43	Power Cord		1
44	JJP8BT-44	Screw		2
45	JJP8BT-45	Spring		2
46	TS-1550031	Flat Washer	M5	4
47	TS-2331051	Cap Nut	M5	4
48	JJP8BT-48	Thread Lock Bushing		4
49	TS-1540031	Hex Nut	M5	2

## Jointer/Planer – Parts List

Index No.	Part No.	Description	Size	Qty
50	JJP8BT-50	Outfeed Table Spacer		4
51	JJP8BT-51	Infeed Table Spacer		4
52	JJP8BT-52	Bearing		1
53	JJP8BT-53	Spring		2
54	JJP8BT-54	Bushing Block		5
55	JJP8BT-55	Spring		1
56	JJP8BT-56	Roller		2
57	707401	Knife		2
58	JJP8BT-58	Hose Adapter		1
59	JJP8BT-59	Pin		4
60	JJP8BT-60	Knife Gib		2
61	JJP8BT-61	Screw		12
62	JJP8BT-62	Cutterhead		1
63	TS-1540041	Hex Nut	M6	9
64	JJP8BT-64	Outfeed Table		1
65	TS-1550021	Flat Washer	M4	3
66	TS-1501041	Socket Head Cap Screw	M4x12	2
67	JJP8BT-67	Fence Support		1
68	TS-1550041	Flat Washer	M6	8
69	TS-2361061	Lock Washer	M6	9
70	TS-1482021	Hex Cap Screw	M6x12	2
71	JJP8BT-71	Fence Bracket		1
72	JJP8BT-72	Screw		2
73	TS-1503061	Socket Head Cap Screw	M6x25	2
74	JJP8BT-74	Washer	Ø6	6
75	JJP8BT-75	Locking Nut		2
76	JJP8BT-76	Angle Pointer		1
77	JJP8BT-77	Pin		1
78	JJP8BT-78	Shaft		1
80	JJP8BT-80	Hex Cap Screw	M4x15	2
81	JJP8BT-81	Angle Marked Fence Support		1
82	JJP8BT-82	Fence		1
83	JJP8BT-83	Dust Chute		1
84	JJP8BT-84	Knob		2
85	JJP8BT-85	Dust Housing		1
86	JJP8BT-3	E-Clip	Ø6	2
87	JJP8BT-87	Pointer		1
88	JJP8BT-88	Infeed Direction Label		1
89	TS-1533042	Pan Head Machine Screw	M5x12	3
90	JJP8BT-90	Knob		1
91	JJP8BT-91	Adjusting Rod		1
92	TS-1541031	Nylon Insert Lock Nut		2
93	JJP8BT-93	Shaft		1
94	JJP8BT-94	Bracket		1
95	JJP8BT-95	Cushion Block		1
96	JJP8BT-96	Cutterhead Guard		1
97	TS-2245081	Flat Head Screw	M5x8	2
98	JJP8BT-98	Post		1
99	JJP8BT-99	Spring		1
100	JJP8BT-100	Support Bracket		1
101	TS-1534052	Pan Head Machine Screw	M6x16	2
102	JJP8BT-102	Retaining Ring		1
103	TS-2361081	Lock Washer	M8	2
104	TS-1504051	Socket Head Cap Screw	M8x25	2
107	JJP8BT-107	Shield		1
108	JJP8BT-108	Shaft		1

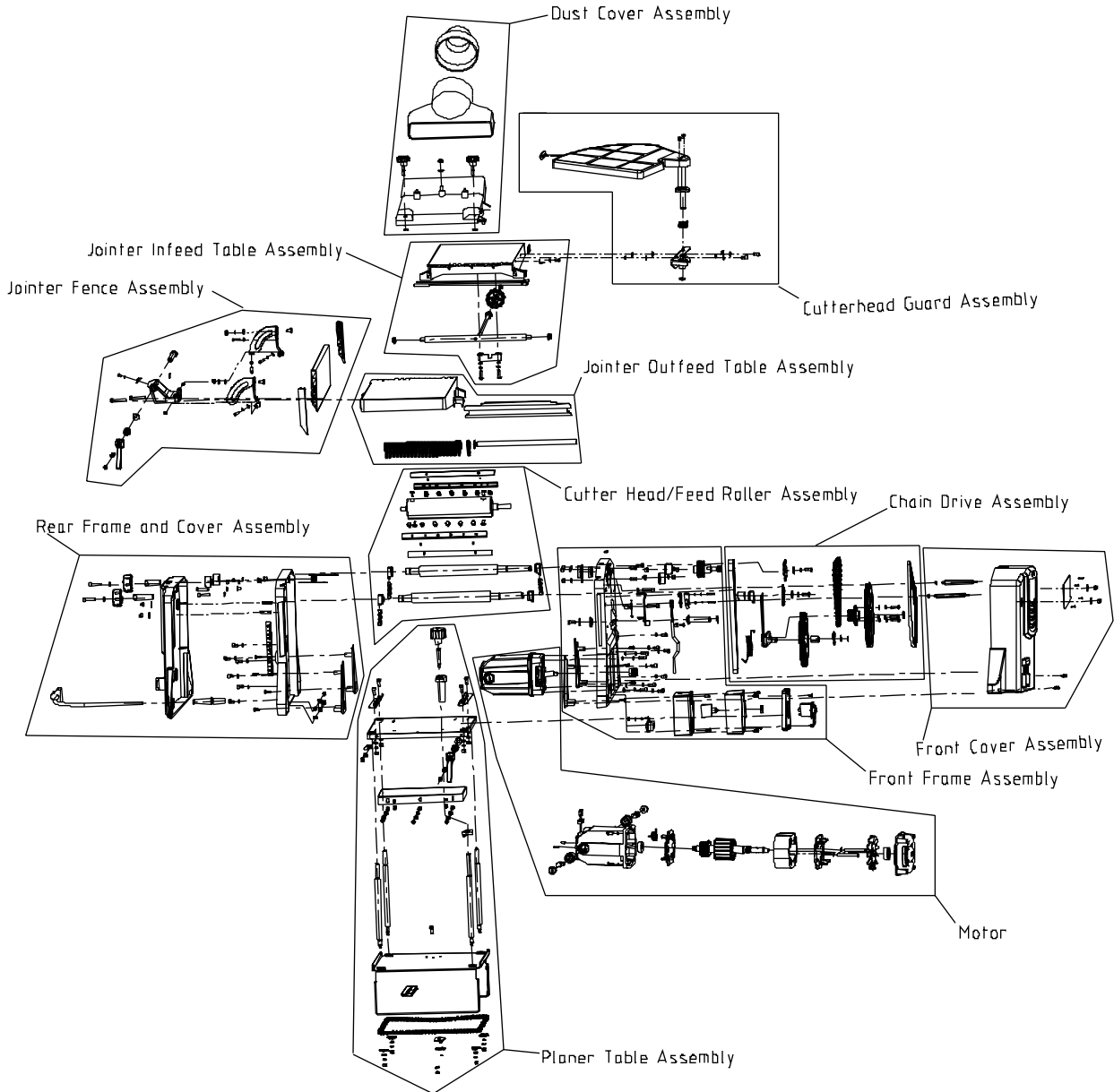
## Jointer/Planer – Parts List

Index No.	Part No.	Description	Size	Qty
109	JJP8BT-109	Washer		28
110	JJP8BT-110	Anti-Kickback Finger		54
111	JJP8BT-111	Bearing Cover		1
112	JJP8BT-112	Bearing		1
113	JJP8BT-113	Front Support		1
114	JJP8BT-114	Cut Depth Scale Label		1
115	JJP8BT-115	Spring		1
116	TS-1502021	Socket Head Cap Screw	M5x10	6
117	JJP8BT-117	Switch Mount		1
118	JJP8BT-118	Switch		1
119	JJP8BT-119	Pulley		1
120	JJP8BT-120	Belt		1
121	JJP8BT-121	Spacer		1
122	JJP8BT-122	Sprocket		2
123	JJP8BT-123	Socket Head Cap Screw	M6x15	2
124	JJP8BT-124	Drive Chain		1
125	JJP8BT-125	Gear		1
126	JJP8BT-126	Pulley		1
127	TS-1533062	Pan Head Machine Screw	M5x20	3
128	JJP8BT-128	Key		1
129	JJP8BT-129	Belt		1
130	JJP8BT-130	Shaft		2
131	JJP8BT-131	Front Support Cover		1
132	JJP8BT-132	JET Nameplate		1
133	JJP8BT-133	Key		1
134	JJP8BT-134	Washer		1
135	JJP8BT-135	Sprocket		1
136	JJP8BT-136	Square Spacer		1
137	JJP8BT-137	Gear		1
138	JJP8BT-138	Gear Bracket		1
139	JJP8BT-139	Spring		1
140	JJP8BT-140	Key		1
141	JJP8BT-141	Pan Head Machine Screw	M3x18	2
142	TS-2361031	Lock Washer	M3	2
143	TS-1550011	Flat Washer	M3	2
144	JJP8BT-144	Wire Clamp		1
145	JJP8BT-145	Wire		1
146	JJP8BT-146	Motor Pulley		1
147	JJP8BT-147	Screw		1
148	JJP8BT-148	Bracket		1
149	JJP8BT-149	Washer		1
150	TS-2361081	Lock Washer	M8	1
151	JJP8BT-151	Socket Head Cap Screw	M8x15	1
152	JJP8BT-152	Motor		1
153	JJP8BT-153	Cover		2
154	JJP8BT-154	Star Washer	M4	1
155	JJP8BT-155	Strain Relief		2
156	JJP8BT-156	Switch Box		1
157	TS-1533032	Pan Head Machine Screw	M5x10	2
158	JJP8BT-158	Overload Switch		1
159	JJP8BT-159	Switch Box Cover		1
160	JJP8BT-160	Self-Tapping Screw	ST4.2x15	4
161	JJP8BT-161	Nut		1
162	JJP8BT-162	On/Off Switch		1
	JJP8BT-162-1	Switch Safety Key (not shown)		1
163	JJP8BT-163	Shaft		1

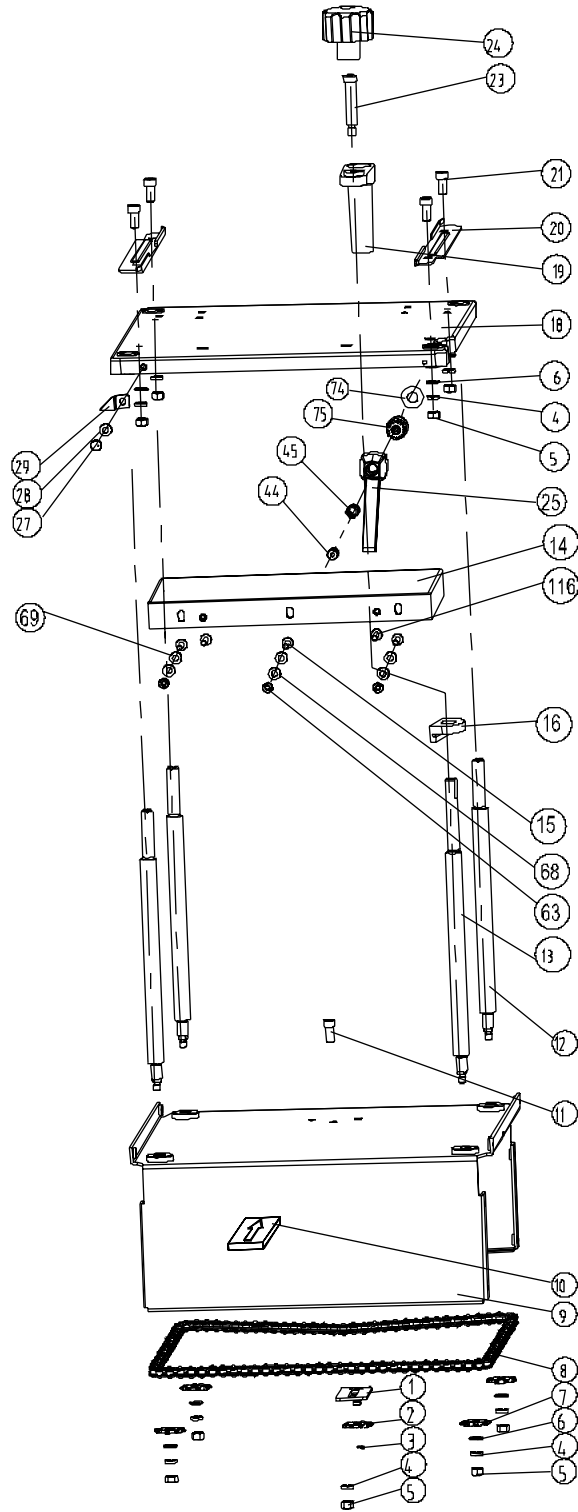
## Jointer/Planer – Parts List

Index No.	Part No.	Description	Size	Qty
164	JJP8BT-164	Infeed Table		1
165	TS-1521051	Set Screw	M4x12	2
166		Cord Clamp		1
167		Motor Housing		1
168	JJP8BT-168	Brush Holder		2
169	JJP8BT-169	Brush		2
170	JJP8BT-170	Brush Cap		2
171		Bearing		1
172		Inductor		1
173		Stator Insulation Pan.		1
174		Armature		1
175		Stator		1
176		Stator Insulation Pan.		1
177		Self-Tapping Screw	ST5x56	2
178	JJP8BT-178	Fan		1
179		Bearing		1
180	JJP8BT-180	Motor Cover		1
181	JJP8BT-181	Switch Box Faceplate		1
182	JJP8BT-182	Jack Screw		4
183	JJP8BT-183	Rivet	Ø3x10	4
185	JJP8BT-185	Lock Shaft 1		1
186	JJP8BT-186	Fence End Cover 1		1
187	JJP8BT-187	Fence End Cover 2		1
188	JJP8BT-188	Lock Shaft 2		1
189	JJP8BT-189	Rod		2
	708815	Push Block (not shown)		2
	JJP8BT-KSG	Knife/Blade Setting Gauge (not shown)		1

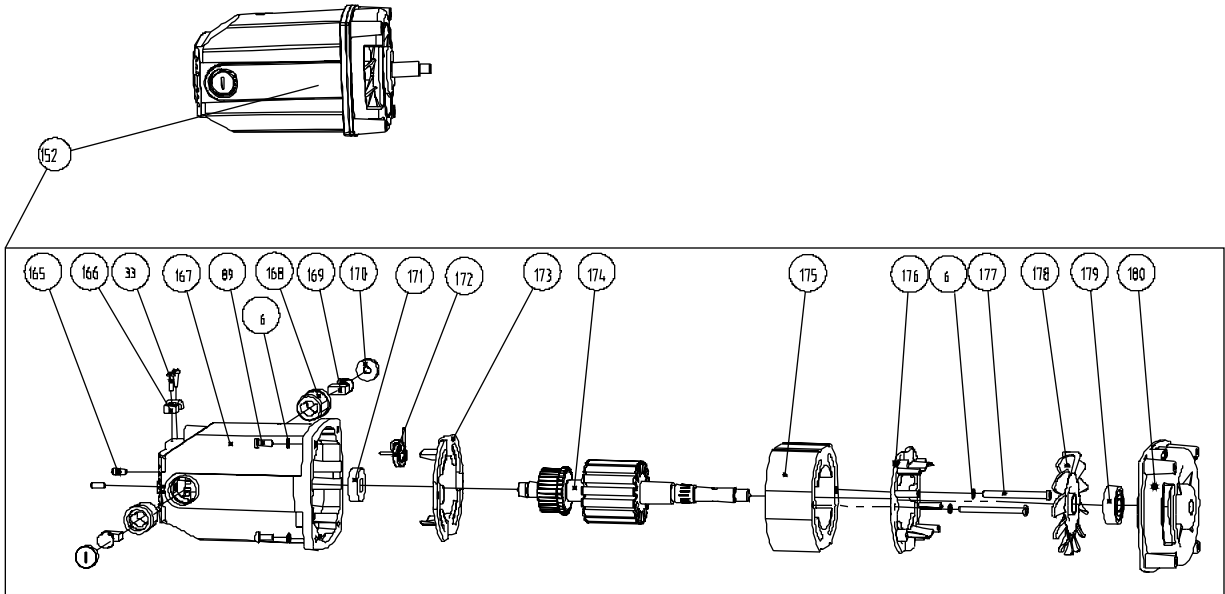
# Assembly Drawing Index



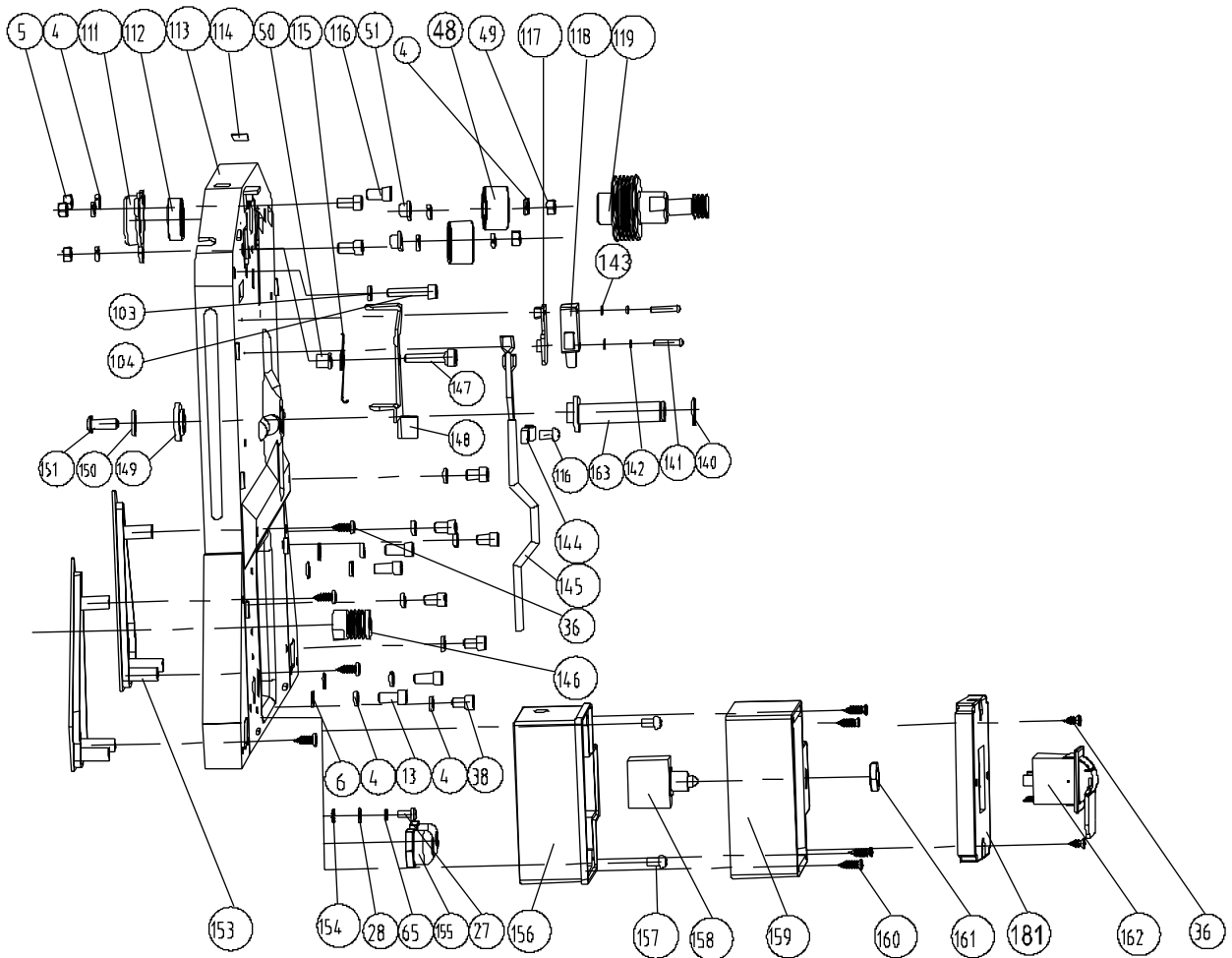
# Planer Table Assembly



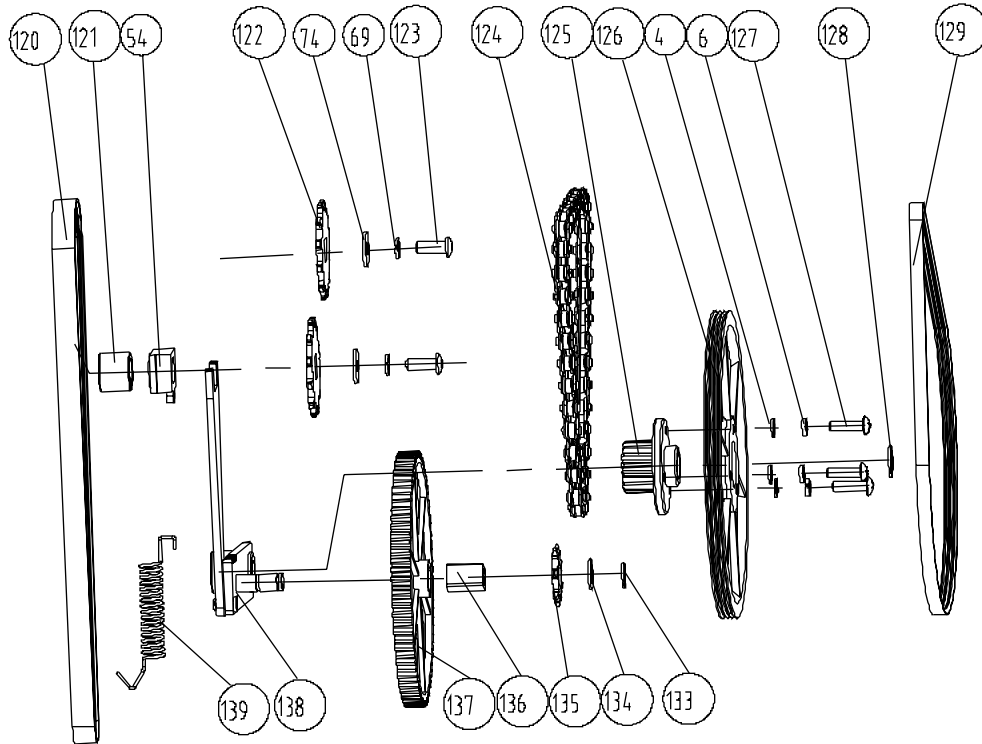
## Motor



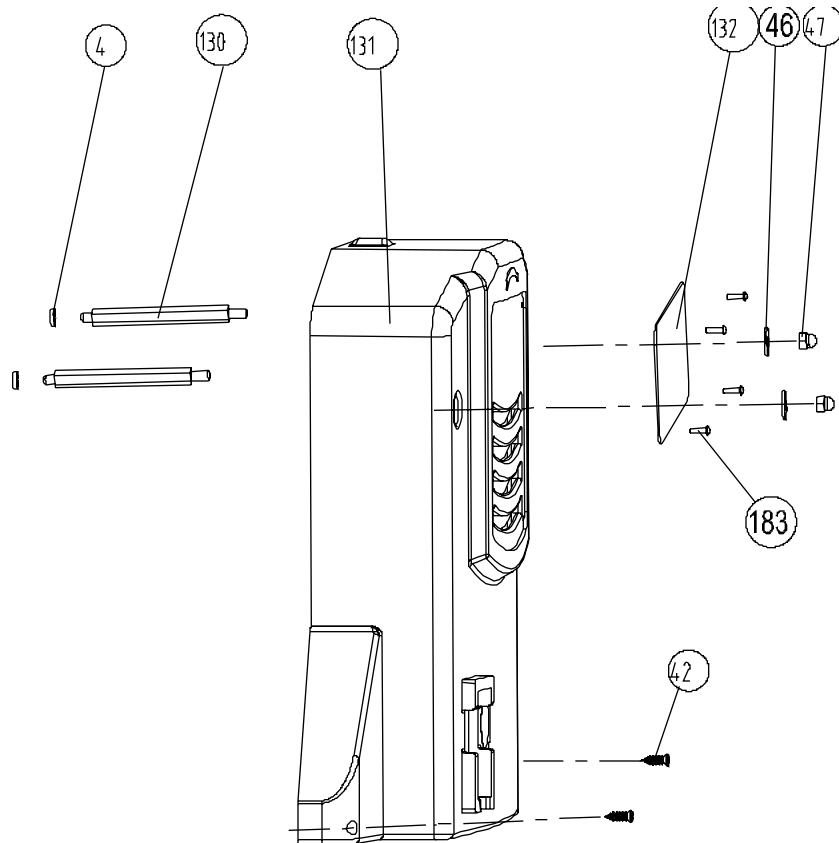
## Front Frame Assembly



## Chain Drive Assembly

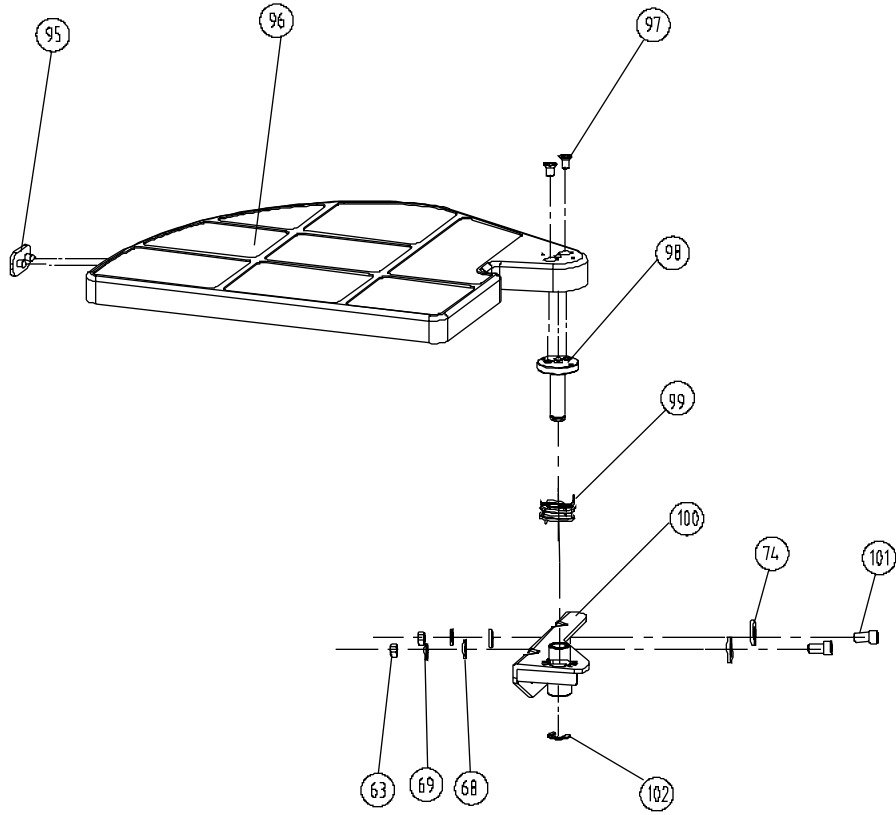


## Front Cover Assembly

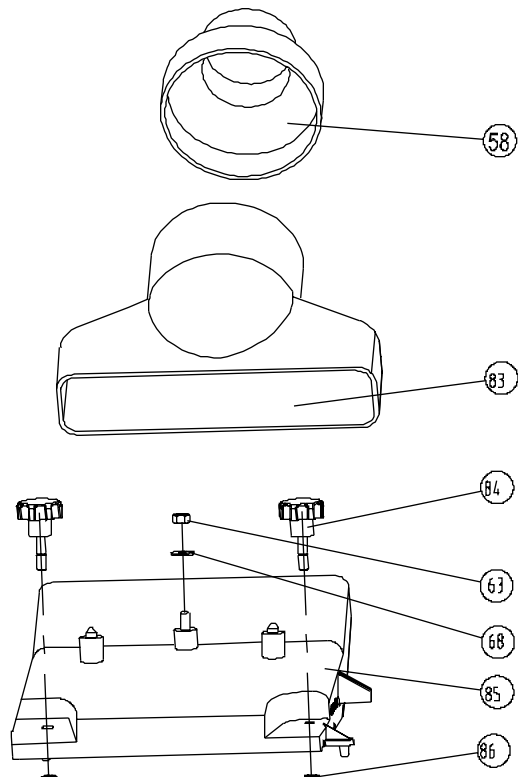




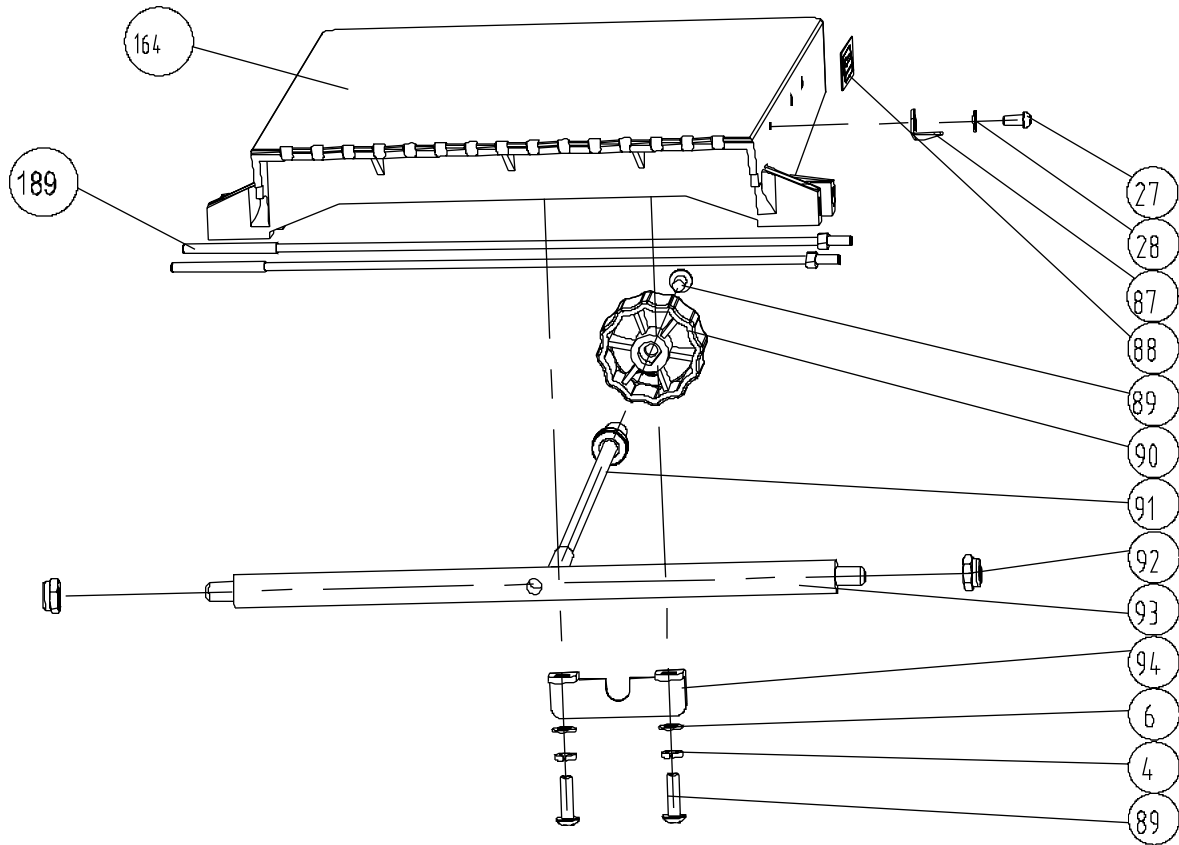
## Cutterhead Guard Assembly



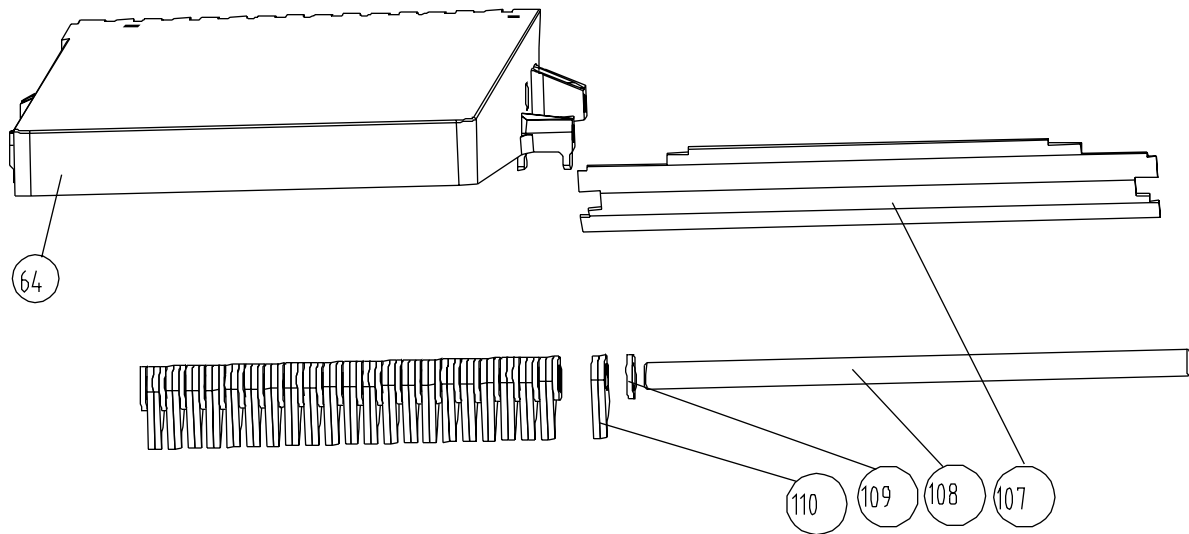
## Dust Cover Assembly



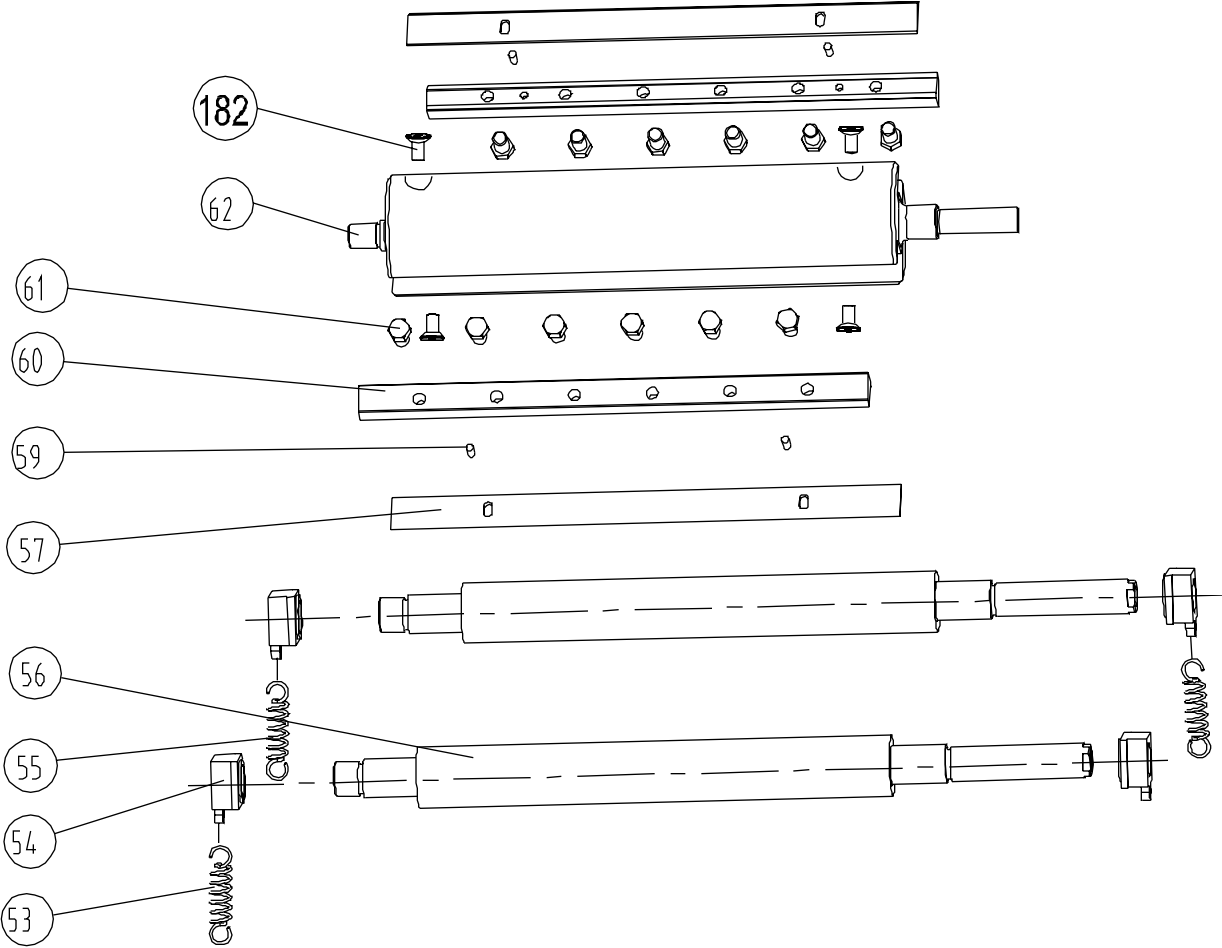
## Jointer Infeed Table Assembly



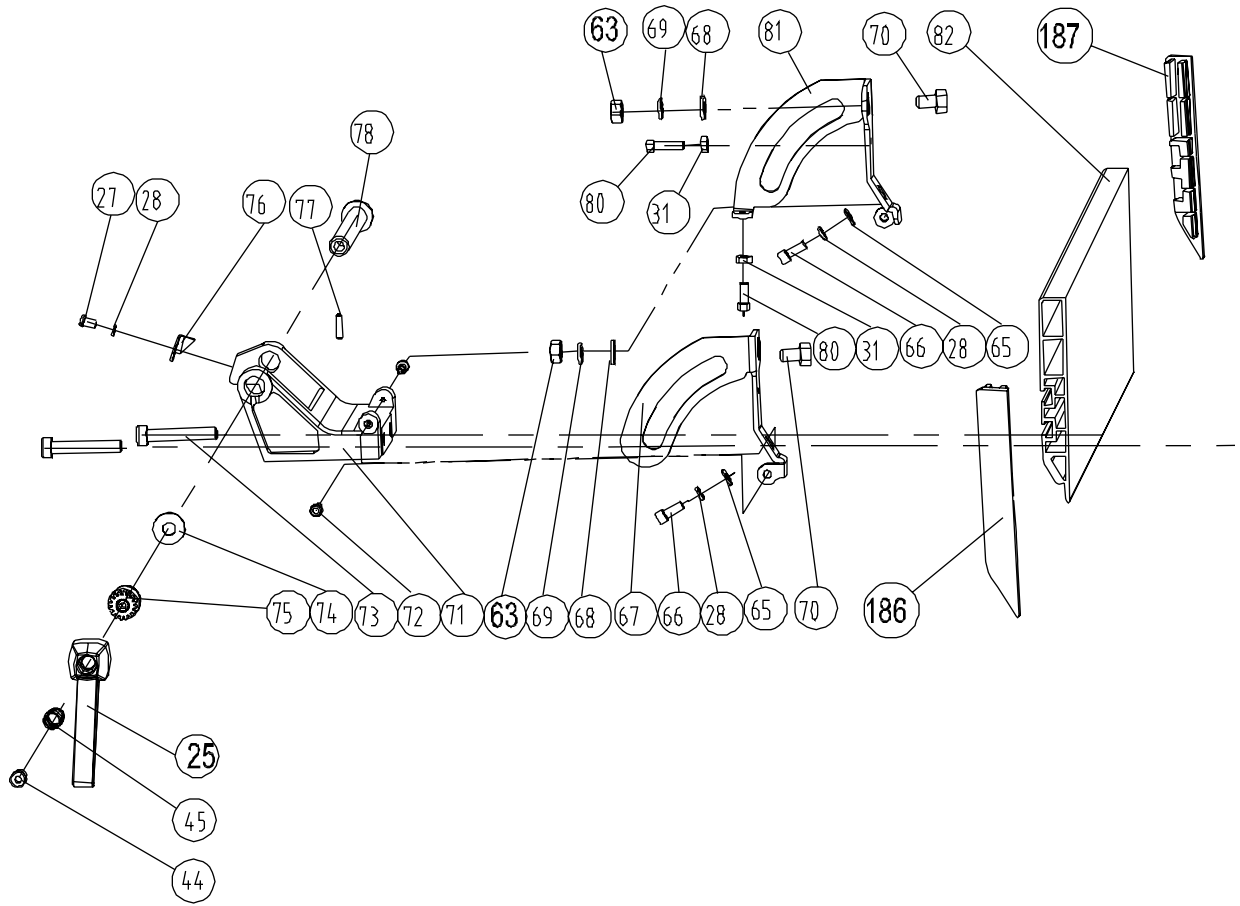
## Jointer Outfeed Table Assembly



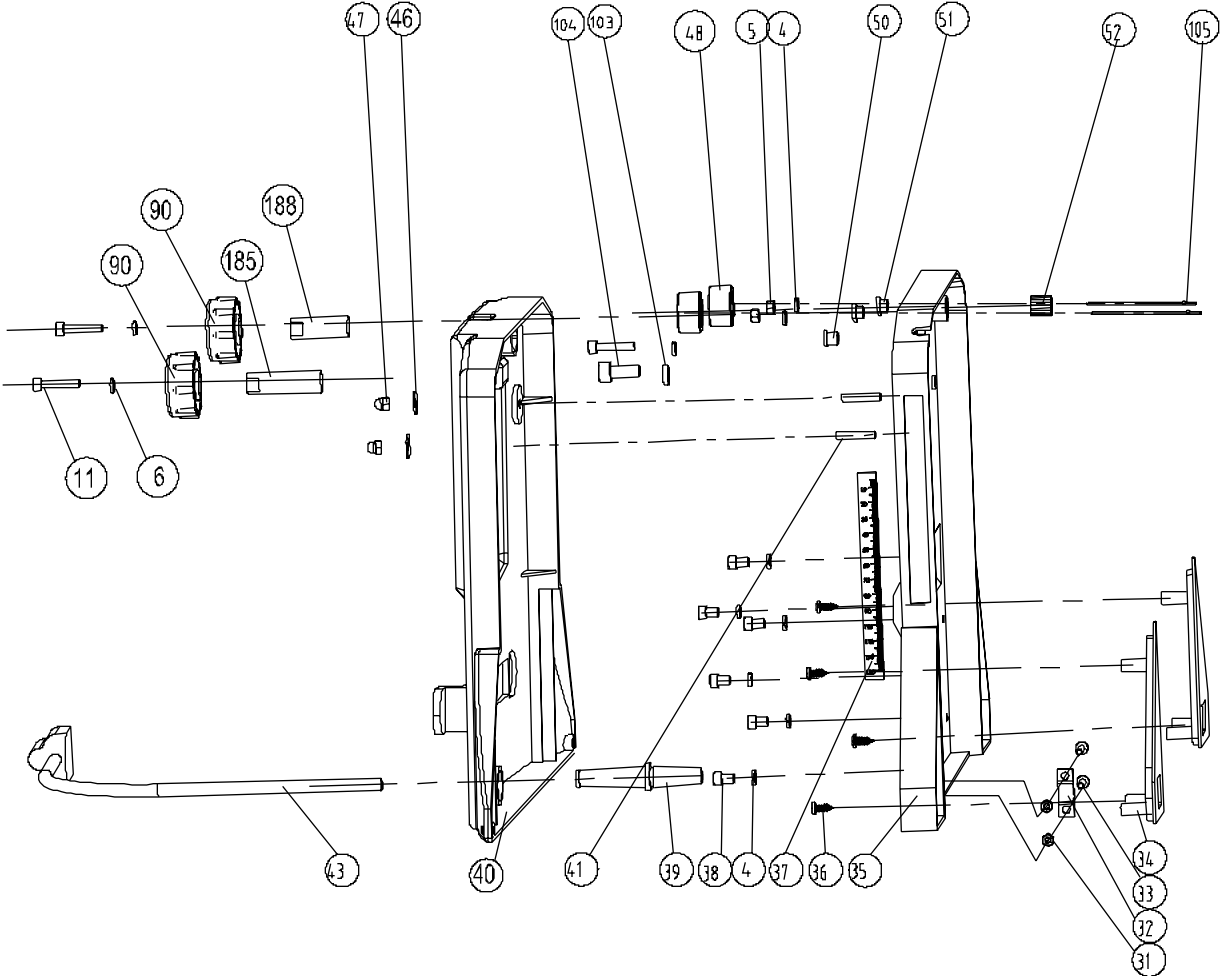
# Cutter Head/Feed Roller Assembly



# Jointer Fence Assembly



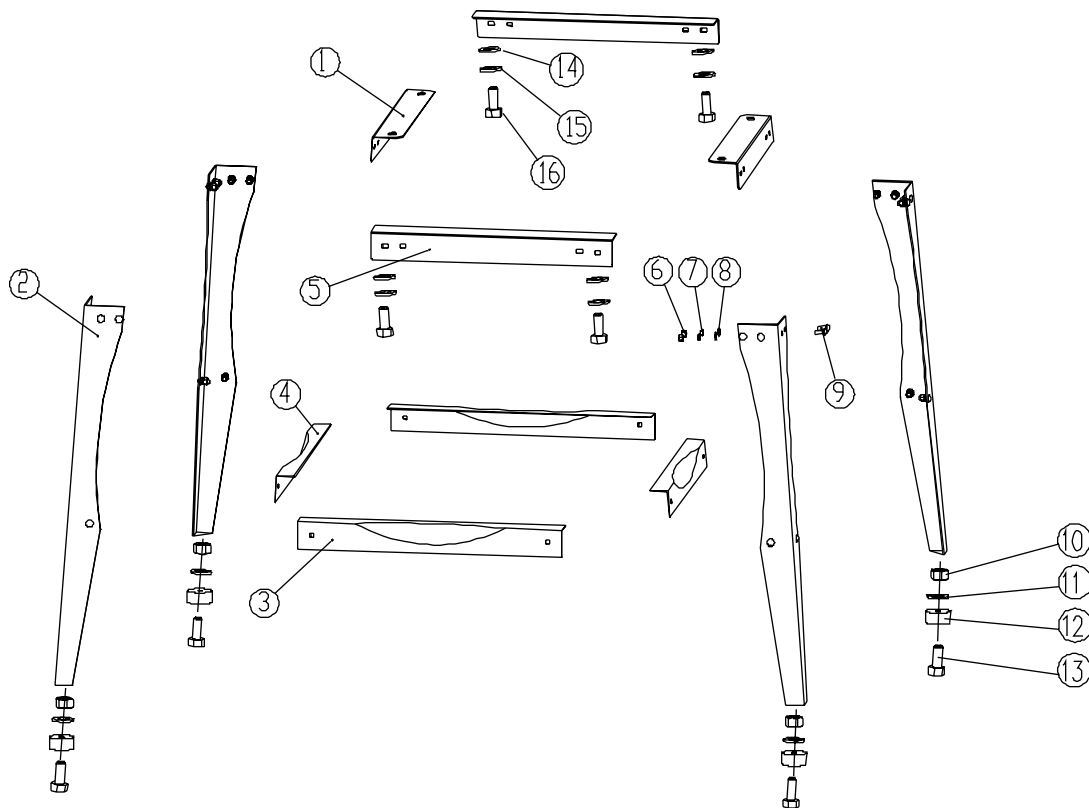
# Rear Frame and Cover Assembly



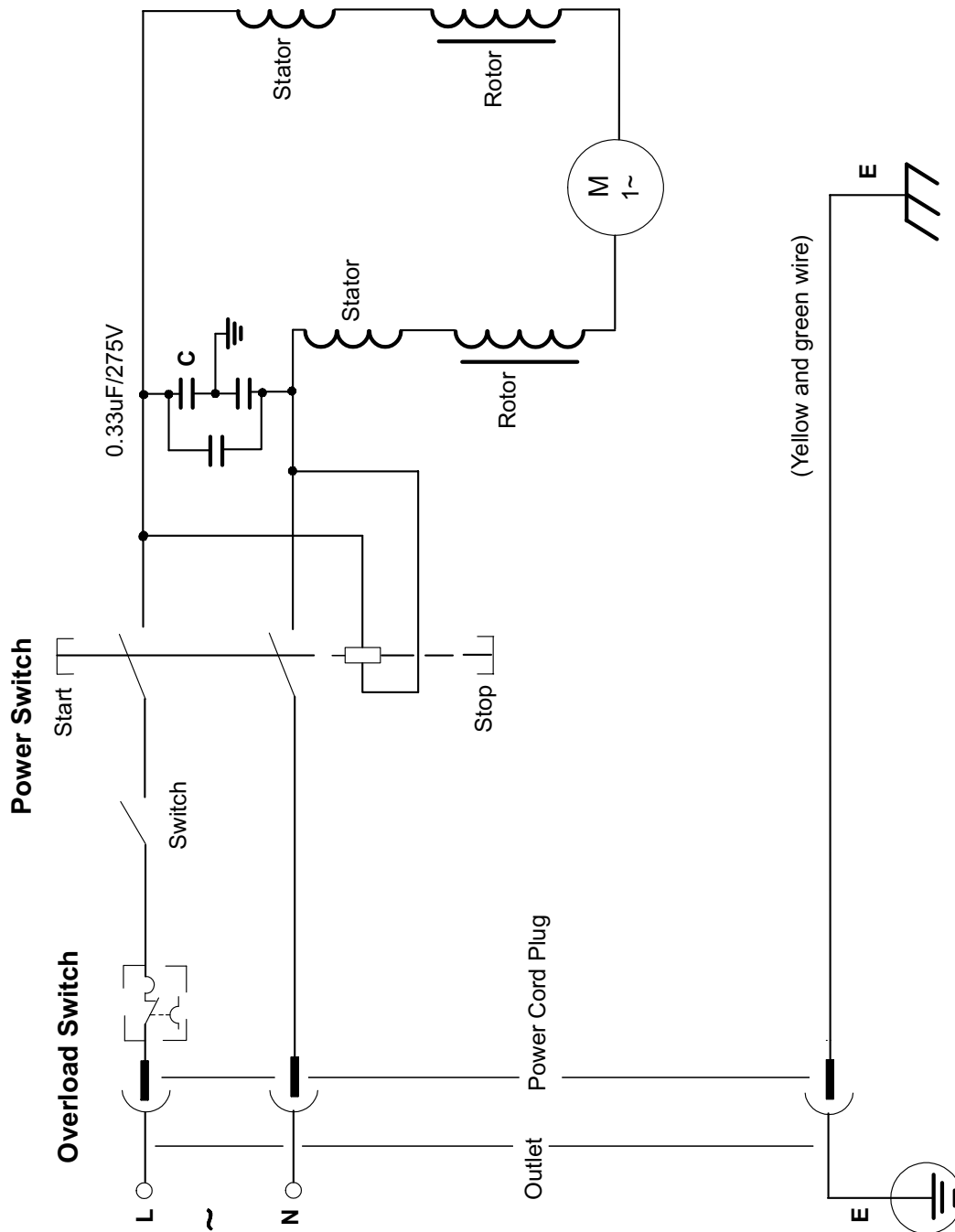
## Jointer/Planer Stand\*

Index No.	Part No.	Description	Size	Qty
1.....	JJP8BT-901 .....	Stand Top Support, Short.....		2
2.....	JJP10BT-902.....	Leg .....		4
3.....	JJP10BT-903.....	Support Plate, Long .....		2
4.....	JJP8BT-904 .....	Support Plate, Short.....		2
5.....	JJP10BT-905.....	Stand Top Support, Long .....		2
6.....	TS-1540041 .....	Hex Nut.....	M6.....	24
7.....	TS-2361061 .....	Lock Washer .....	M6.....	24
8.....	TS-1550041 .....	Flat Washer.....	M6.....	24
9.....	708315-63.....	Carriage Bolt .....	M6x12.....	24
10.....	TS-1540041 .....	Hex Nut.....	M6.....	4
11.....	TS-1550041 .....	Flat Washer.....	M6.....	4
12.....	JJP10BT-912.....	Rubber Foot.....		4
13.....	TS-1482041 .....	Hex Cap Screw .....	M6x20.....	4
14.....	TS-1550061 .....	Flat Washer.....	M8.....	4
15.....	TS-2361081 .....	Lock Washer .....	M8.....	4
16.....	TS-1504041 .....	Socket Head Cap Screw .....	M8x20.....	4

\* This item is an optional accessory. To order, call our service department at 1-800-274-6848 between 7:30am and 5:30pm (CST), Monday through Friday and ask for Stand - Model No. JJP-8BT, Stock # 707402.



# Electrical Connection



# JET<sup>®</sup>

**WALER MEIER (Manufacturing) Inc.**

427 New Sanford Road  
LaVergne, Tennessee 37086

Phone: 800-274-6848

[www.waltermeier.com](http://www.waltermeier.com)