

Parts

Ordering Replacement Parts

To order parts or reach our service department, call 1-800-274-6848 Monday through Friday (see our website for business hours, www.waltermeier.com). Having the Model Number and Serial Number of your machine available when you call will allow us to serve you quickly and accurately.

Parts List

Note: Parts without part numbers are for reference only and cannot be purchased individually.

Index No.	Part No.	Description	Size	Qty
1	JMS10SCMS-1	Shaft Sleeve		1
2	JMS12SCMS-2	Pan Head Tapping Screw	M6-14x16	2
3	JMS12SCMS-3	Special Screw		1
4	JMS10SCMS-3	Locator Pin		1
5		Helix Gear		1
6	JMS10SCMS-4	Label: Miter Quick Lock		1
7	JMS12SCMS-7	Warning Label		1
8		Compression Spring		1
10		Cushion		2
11		Lock Screw		2
12		Nut		1
13		Link		1
14	JMS10SCMS-10	Cord Clamp		1
15	JMS12SCMS-15	Foot		4
16		Release Lever		1
17	JMS12SCMS-17	Slide Plate		4
18	JMS12SCMS-18	Pivot Shaft		1
19	JMS12SCMS-19	Sleeve		1
20	JMS12SCMS-20	Guard Spring		1
21	JMS10SCMS-14	Knob		1
22		Roller		2
23		Bearing		2
24	JMS10SCMS-17	Center Bolt		1
25	JMS10SCMS-18	Arbor Collar		2
26	JMS10SCMS-19	Blade Wrench		1
27	JMS12SCMS-27	Power Cord Clamp		1
28		Compression Spring		1
29	JMS12SCMS-29	Collar		1
30	JMS12SCMS-30	Base Rear Extension		1
31	JMS10SCMS-21	Pin		1
35		Ball Bearing	608ZZ	2
36		Ball Bearing	6001ZZ	1
37		Ball Bearing	6003ZZ	1
38	JMS12SCMS-38	Linear Motion Bearing	LM30LLU	1
39	TS-1550031	Flat Washer	M5	2
40	TS-1550041	Flat Washer	M6	1
41	TS-1550061	Flat Washer	M8	1
42	TS-155010	Flat Washer	M16	2
43		Flat Washer	M6	5
44	TS-1550061	Flat Washer	M8	1
45	TS-0680021	Flat Washer	1/4	4
46	JMS10SCMS-33	Flat Washer	1/4x1/2x3/32	1
47	TS-0680031	Flat Washer	5/16	2
48	TS-0680041	Flat Washer	3/8	2
49		Flat Washer	5/16	1

Parts List

Index No.	Part No.	Description	Size	Qty
50	TS-0680041	Flat Washer	3/8	1
51	JMS10SCMS-36	External Tooth Lock Washer	M5	2
52	JMS10SCMS-37	Wave Washer	WW-8	2
53	JMS12SCMS-53	Wave Washer	WW-14	2
54		Spring Pin	Ø5x16	4
55		C-Ring	A-17	1
56		E-Clip	E-6	1
57		E-Clip	E-7	1
58		Push Nut	SPN-5	2
59	JMS10SCMS-42	O-Ring	P10	1
60	JMS10SCMS-43	O-Ring	P7	1
61		O-Ring	P30	2
62	TS-1490051	Hex Cap Screw	M8x30	2
63	TS-1490081	Hex Cap Screw	M8x45	1
64	TS-1502011	Socket Head Cap Screw	M5x8	2
65	TS-1503051	Socket Head Cap Screw	M6x20	2
66	TS-1503061	Socket Head Cap Screw	M6x25	1
67	TS-1504051	Socket Head Cap Screw	M8x25	2
68	TS-1504061	Socket Head Cap Screw	M8x30	2
69	TS-1504121	Socket Head Cap Screw	M8x60	1
70	TS-1504101	Socket Head Cap Screw	M8x50	1
71	TS-1522021	Socket Set Screw	M5x8	2
73	TS-1524041	Socket Set Screw	M8x16	1
74	TS-1523031	Socket Set Screw	M6x10	3
75	JMS12SCMS-75	Socket Head Cap Screw with Lock Washer	M5x16	4
76	JMS10SCMS-55	Socket Head Cap Screw with Lock Washer	M6x16	5
77	JMS12SCMS-77	Socket Head Cap Screw with Washer	M8x40	4
78	JMS12SCMS-78	Pan Head Machine Screw with Washer	M6x12	1
79	JMS10SCMS-59	Truss Head Screw	M5x8	2
80	JMS10SCMS-60	Truss Head Screw	M6x8	4
81	JMS12SCMS-81	Round Washer Head Screw	M5x8	4
82	JMS10SCMS-63	Truss Head Round Neck Screw	M6x10	4
83	JMS10SCMS-65	Pan Head Tapping Screw	M3-24x10	3
84	TS-1533032	Pan Head Screw	M5x10	3
85	TS-2284082	Pan Head Screw	M4x8	6
86	JMS10SCMS-68	Pan Head Tapping Screw	M5-16x25	1
87	JMS10SCMS-69	Pan Head Tapping Screw	M4-18x25	5
88	JMS10SCMS-70	Truss Head Tapping Screw	M4-16x12	1
89	TS-1534032	Pan Head Screw	M6x10	2
90	TS-2284082	Pan Head Screw	M4x8	1
91	TS-1532042	Pan Head Screw	M4x12	2
92	TS-1532052	Pan Head Screw	M4x16	2
93	JMS10SCMS-72	Pan Head Screw	M5x8	3
94	TS-1533062	Pan Head Screw	M5x20	1
95	TS-1533032	Pan Head Screw	M5x10	2
96	TS-1534042	Pan Head Screw	M6x12	3
97	TS-1534052	Pan Head Screw	M6x16	2
98	JMS10SCMS-78	Pan Head Round Neck Screw	M6x12	1
99		Rivet	Ø6x10	4
101	TS-1540061	Hex Nut	M8	2
102	TS-1541031	Nylon Insert Lock Nut	M8	3
103	TS-1541041	Nylon Insert Lock Nut	M10	1
104	TS-2342161	Nylon Insert Lock Nut	M16	1
105		Nylon Insert Lock Nut	M6	2
106	TS-1541031	Nylon Insert Lock Nut	M8	1
107	JMS10SCMS-85	Strain Relief		1

Parts List

Index No.	Part No.	Description	Size	Qty
108	JMS10SCMS-210	Cable Clamp	1/8"	1
109	JMS10SCMS-87	Cable Clamp	3/8"	1
110	JMS10SCMS-88	Terminal		2
111	JMS12SCMS-111	Locking Cable Tie		1
112	JMS10SCMS-208	Trigger Switch		1
113	JMS12SCMS-113	Steel Ball	Ø6.3	2
114	JMS12SCMS-114	Arbor Bolt		1
115	JMS10SCMS-92	Washer	M8x23x1.5	2
116		Pin	Ø5x16	2
117	JMS12SCMS-117	Compression Spring		2
118	JMS12SCMS-118	Knob		2
119		Stop Screw		1
120	JMS12SCMS-120	Base		1
121	JMS12SCMS-121	Fence Extension, Left		1
122	JMS12SCMS-122	Saw Arm		1
123	JMS12SCMS-123	Fence Extension, Right		1
124		Blade Guard		1
125	JMS12SCMS-125	Fence		1
126		Pivot Support		1
127		Rear Slide Bar Seat		1
128	JMS10SCMS-98	Pointer		1
129	JMS12SCMS-129	Upper Handle Segment		1
130		Arbor		1
131	JMS12SCMS-131	Bracket		1
132	JMS12SCMS-132	Handle		1
133	JMS12SCMS-133	Pointer, Left		1
134	JMS12SCMS-134	Pointer, Right		1
135	JMS12SCMS-135	Cord Wrap Bracket		2
136	JMS12SCMS-136	Gear Box Cover		1
137	JMS10SCMS-100	Anchor Plate		1
138		Guard Plate		1
139	JMS10SCMS-101	Pulley		1
140		Gear Shaft		1
141	JMS12SCMS-141	Power Cord		1
142	JMS12SCMS-142	V-Ribbed Belt	200J8	1
144	JMS10SCMS-103	Warning Label: Avoid Exposure		1
145	JMS10SCMS-104	Bushing		1
146		Locating Bar		1
147	JMS12SCMS-147	Special Bolt		1
148	JMS12SCMS-148	Bevel Locating Bar		1
149	JMS12SCMS-149	Pivot Shaft		1
150	JMS10SCMS-105	Locking Rod		1
151		Slide Bar, Right		1
152		Slide Bar, Left		1
153	JMS10SCMS-108	Pivot Shaft		1
154	JMS12SCMS-154	Socket Set Screw	M8x6	2
155		Plate		2
157	JMS12SCMS-157	Locking Handle Assembly		1
158	JMS12SCMS-158	Blade Guard Assembly		1
159	JMS12SCMS-159	Gear Shaft Assembly		1
160	JMS12SCMS-160	Arbor Assembly		1
161		Key	6x6x8	1
162	JMS12SCMS-162	Pan Head Tapping Screw	M6-14x25	2
163	JMS10SCMS-110	Table Insert, Right		1
164	JMS10SCMS-111	Table Insert, Left		1
165		Collar		1

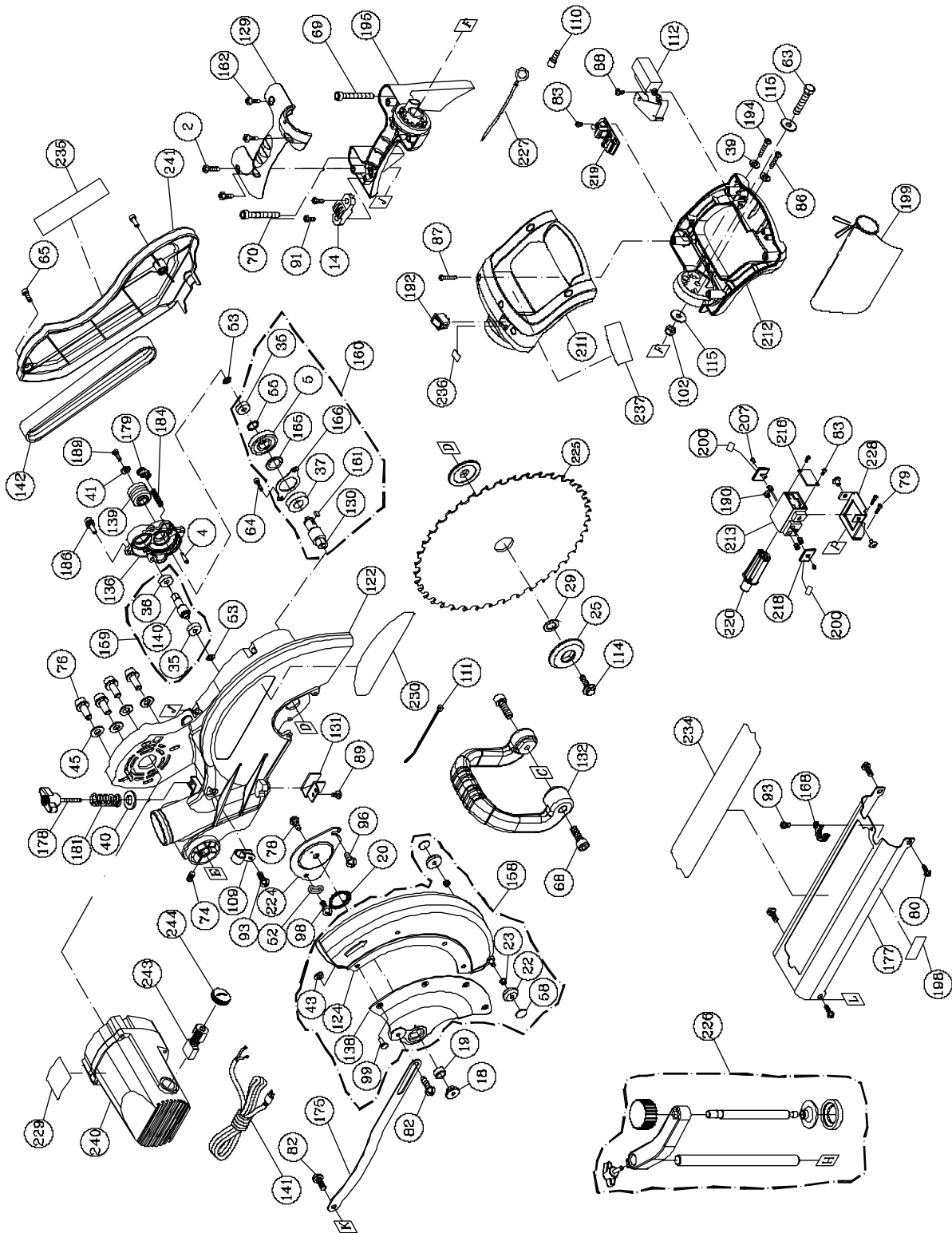
Parts List

Index No.	Part No.	Description	Size	Qty
166	JMS12SCMS-166	Bearing Protector		1
167	JMS10SCMS-113	Shaft		1
168	JMS12SCMS-168	Cord Clamp		1
169	JMS12SCMS-169	Torsion Spring		1
170		Pin	Ø4x30	1
171		Pin	Ø4x35	1
172	JMS10SCMS-114	Set Nut		1
173	JMS10SCMS-115	Screw Stop		1
174	JMS12SCMS-174	Blade Wrench Holder		1
175	JMS12SCMS-175	Lever		1
176		Lock Handle		1
177	JMS12SCMS-177	Slide Bar Guard		1
178	JMS10SCMS-116	Lock Knob		1
179	JMS10SCMS-117	Lock Knob		1
180	JMS10SCMS-118	Anchor Plate		1
181	JMS10SCMS-119	Compression Spring		1
182		Pin	Ø4x22	1
183		Spring Pin	Ø2.5x9	2
184	JMS10SCMS-121	Compression Spring		1
185	TS-1523051	Socket Set Screw	M6x16	2
186	JMS10SCMS-123	SHCS with Lock Washer & Flat Washer	M5x20	4
187	JMS10SCMS-124	SHCS with Lock Washer & Flat Washer	M5x12	4
188	JMS12SCMS-188	Handle		1
189	TS-1482031	Hex Cap Screw	M6x16	1
190	JMS10SCMS-162	Slotted Set Screw	M6x8	4
192	JMS10SCMS-170	Rocker Switch		1
193	JMS12SCMS-193	Label: Bevel Lock		1
194	JMS12SCMS-194	Pan Head Tapping Screw	M5-12x30	1
195	JMS12SCMS-195	Lower Handle Segment		1
196	SB-6MM	Steel Ball	Ø6	2
197		Release Lever Housing		1
198	JMS10SCMS-171	Warning Label		1
199	JMS12SCMS-199	Dust Bag		1
200	JMS10SCMS-172	Label: Do Not Remove		2
201	JMS12SCMS-201	Support, Left		1
202	JMS12SCMS-202	Support, Right		1
203	JMS12SCMS-203	Release Lever & Housing Assembly		1
204	JMS12SCMS-204	Support Bolt		2
205	JMS12SCMS-205	Spring		2
206	JMS12SCMS-206	Table		1
207	JMS10SCMS-174	Rivet		2
208	TS-1550041	Flat Washer	M6	4
209	JMS12SCMS-209	Locking Knob		1
211	JMS10SCMS-176	Upper Handle		1
212	JMS10SCMS-177	Lower Handle		1
213	JMS10SCMS-178	Laser Housing		1
214	JMS10SCMS-181	Locking Handle Assembly		1
215	JMS12SCMS-215N	Slide/Bevel Arm		1
216	JMS10SCMS-183	Clear Panel		1
217		Lock Handle		2
218	JMS10SCMS-186	Guard Plate		2
219	JMS10SCMS-187	Green Laser Controller Assembly		1
220	JMS10SCMS-188	Green Laser		1
221	JMS12SCMS-221	Locking Handle Assembly, Right		1
222	JMS12SCMS-222	Locking Handle Assembly, Left		1

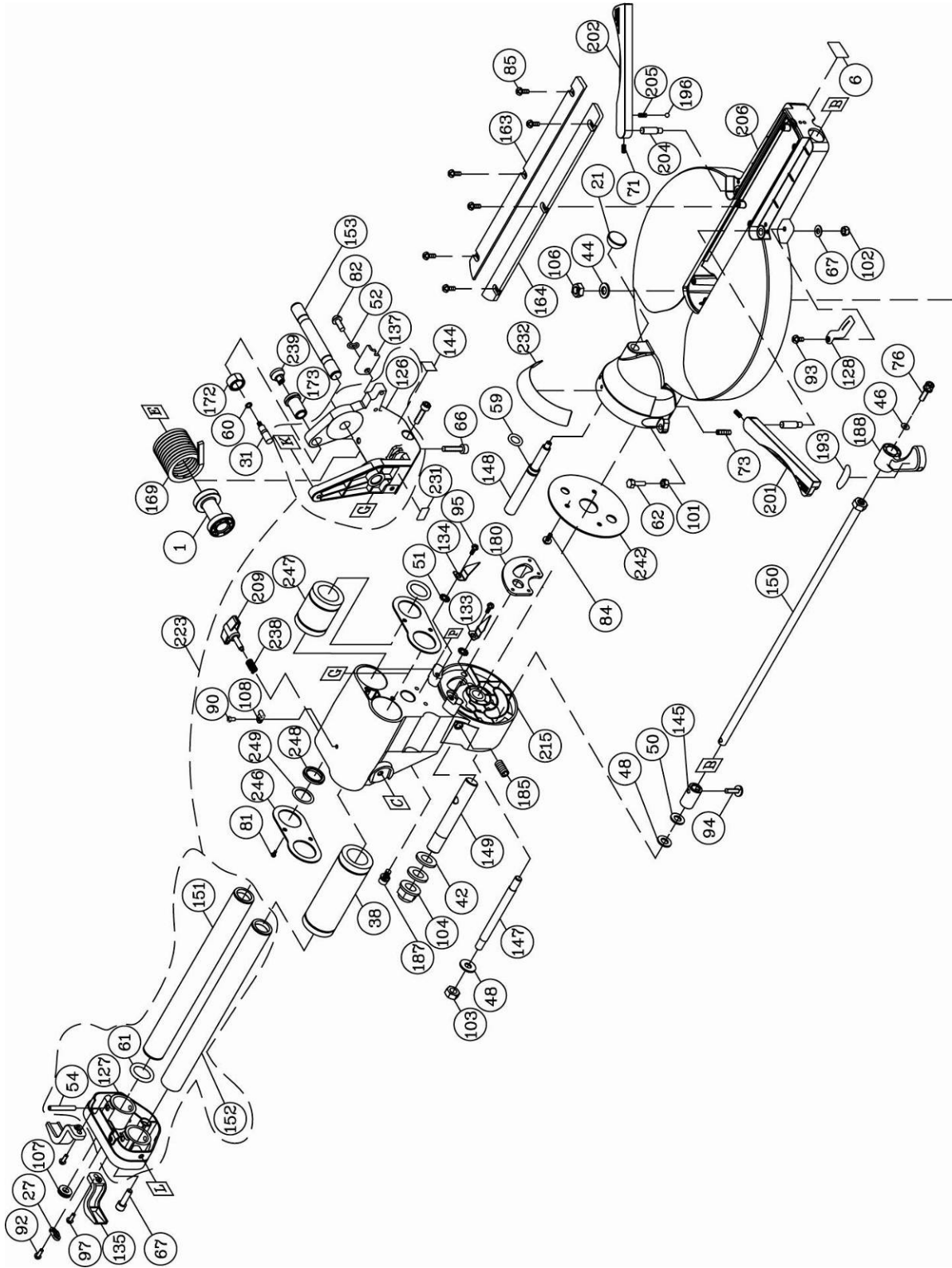
Parts List

Index No.	Part No.	Description	Size	Qty
223	JMS12SCMS-223	Swivel Support Assembly		1
224	JMS12SCMS-224	Guard Plate		1
225	JMS12SCMS-225	Saw Blade	12"x60Tx1" Arbor	1
226	JMS10SCMS-194	Clamp Hold Down Assembly		1
227	JMS10SCMS-195	Lead Wire		1
228	JMS12SCMS-228	Laser Housing Bracket		1
229	JMS12SCMS-229	ID Label		1
230	JMS12SCMS-230	JET Label		1
231	JMS10SCMS-198	Label: Laser Caution		1
232	JMS12SCMS-232	Bevel Angle Scale		1
233	JMS12SCMS-233	Miter Angle Scale		1
234	JMS12SCMS-234	JET Label for Slide Bar Guard		1
235	JMS10SCMS-199	JET Label for Pulley Cover		1
236	JMS10SCMS-200	Label: Laser On/Off		1
237	JMS10SCMS-204	JET Label for Handle		1
238	JMS12SCMS-238	Compression Spring		1
239	JMS10SCMS-2	Knob		1
240	JMS12SCMS-240	Motor		1
241	JMS12SCMS-241	Pulley Cover		1
242	JMS10SCMS-99	Disc		1
243	JMS12SCMS-243	Motor Brush		2
244	JMS12SCMS-244	Motor Brush Cover		2
245	JMS10SCMS-155	Washer		1
246	JMS12SCMS-246	Bearing Cover		2
247	JMS10SCMS-218	Linear Motion Bearing		1
248	JMS10SCMS-217	Collar		1
249	JMS10SCMS-155	Blanket Washer		1

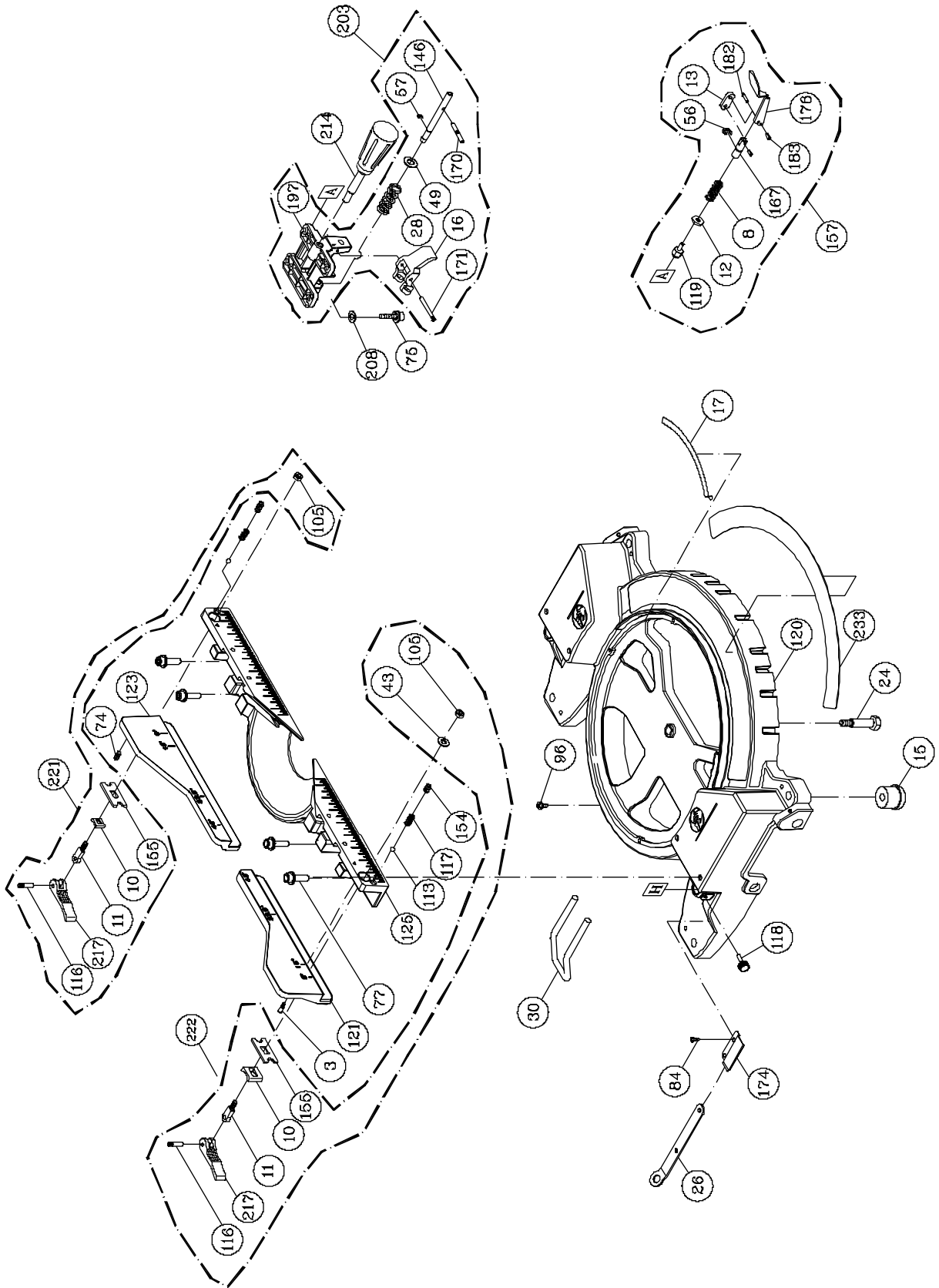
Assembly Drawing



Assembly Drawing



Assembly Drawing



Wiring Diagram

