

# Parts

## Ordering Replacement Parts

To order parts or reach our service department, call 1-800-274-6848 Monday through Friday (see our website for business hours, [www.waltermeier.com](http://www.waltermeier.com)). Having the Model Number and Serial Number of your machine available when you call will allow us to serve you quickly and accurately.

## Parts List

**Note:** Parts without part numbers are for reference only and cannot be purchased individually.

Index No.	Part No.	Description	Size	Qty
1	JMS10SCMS-1	Shaft Sleeve		1
2	JMS10SCMS-2	Knob		1
3	JMS10SCMS-3	Locator Pin		1
4	JMS10SCMS-4	Label: Miter Quick Lock		1
5	JMS10SCMS-5	Compression Spring		1
6	JMS10SCMS-6	Cushion		2
7		Lock Screw		2
8	JMS10SCMS-8	Nut		1
9		Link		1
10	JMS10SCMS-10	Cord Clamp		1
11	JMS10SCMS-11	Warning Label		1
12	JMS10SCMS-12	Compression Spring		1
13	JMS10SCMS-13	Bumper		1
14	JMS10SCMS-14	Knob		1
15	JMS10SCMS-15	Collar		1
16	JMS10SCMS-16	Guard Spring		1
17	JMS10SCMS-17	Center Bolt		1
18	JMS10SCMS-18	Arbor Collar		2
19	JMS10SCMS-19	Blade Wrench		1
20	JMS12SCMS-27	Power Cord Clamp		1
21	JMS10SCMS-21	Pin		1
23		Ball Bearing	6003LLU	1
24		Ball Bearing	607ZZ	1
25		Ball Bearing	608ZZ	1
26		Ball Bearing	6001ZZ	1
27	TS-1550031	Flat Washer	M5	1
28	TS-1550041	Flat Washer	M6	2
29	TS-155010	Flat Washer	M16	2
30	TS-1550041	Flat Washer	M6	2
31	JMS10SCMS-31	Flat Washer	8x16x2.5	1
32	JMS10SCMS-32	Flat Washer	1/4x7/16x1/16	4
33	JMS10SCMS-33	Flat Washer	1/4x1/2x3/32	1
34	JMS10SCMS-34	Flat Washer	1/4x5/8x3/32	1
35	TS-0680041	Flat Washer	3/8	1
36	JMS10SCMS-36	External Tooth Lock Washer	M5	2
37	JMS10SCMS-37	Wave Washer	WW-8	2
38		Spring Pin	Ø5x16	4
39		Spring Pin	Ø2.5x8	2
40		C-Ring	A-12	1
41	JMS10SCMS-41	E-Clip	E-6	1
42	JMS10SCMS-42	O-Ring	P10	1
43	JMS10SCMS-43	O-Ring	P7	1
45	TS-1482051	Hex Cap Screw	M6x25	2
46	TS-1490081	Hex Cap Screw	M8x45	1
47	TS-1503041	Socket Head Cap Screw	M6x16	3

## Parts List

Index No.	Part No.	Description	Size	Qty
48	TS-1504031	Socket Head Cap Screw	M8x16	1
49	TS-1504061	Socket Head Cap Screw	M8x30	2
50	TS-1504121	Socket Head Cap Screw	M8x60	1
52	TS-1524041	Socket Set Screw	M8x16	1
53	TS-1523031	Socket Set Screw	M6x10	2
54	JMS10SCMS-54	Arbor Bolt		1
55	JMS10SCMS-55	Socket Head Cap Screw with Lock Washer	M6x16	1
56	JMS10SCMS-56	Socket Head Cap Screw with Washer	M8x25	4
57	JMS10SCMS-57	Hex Socket Truss Head Screw w/Lock Washer	M6x16	4
58	TS-1534051	Flat Head Screw	M6x16	1
59	JMS10SCMS-59	Truss Head Screw	M5x8	2
60	JMS10SCMS-60	Truss Head Screw	M6x8	4
61	JMS10SCMS-61	Round Washer Head Screw	M5x12	1
62	JMS10SCMS-62	Truss Head Round Neck Screw	M6x18	1
63	JMS10SCMS-63	Truss Head Round Neck Screw	M6x10	2
64	JMS10SCMS-64	Truss Head Round Neck Screw	M6x14	1
65	JMS10SCMS-65	Pan Head Tapping Screw	M3-24x10	2
66	TS-2284082	Pan Head Screw	M4x8	7
67	JMS10SCMS-72	Pan Head Screw	M5x8	2
68	JMS10SCMS-68	Pan Head Tapping Screw	M5-16x25	1
69	JMS10SCMS-69	Pan Head Tapping Screw	M4-18x25	5
70	JMS10SCMS-70	Truss Head Tapping Screw	M4-16x12	1
71	TS-1532052	Pan Head Screw	M4x16	4
72	JMS10SCMS-72	Pan Head Screw	M5x8	3
73	TS-1533062	Pan Head Screw	M5x20	1
74		Pan Head Screw	M5x10	4
75	JMS10SCMS-75	Pan Head Screw	M6x8	2
76	TS-1534052	Pan Head Screw	M6x16	3
77	JMS10SCMS-77	Pan Head Round Neck Screw	M4x7.5	2
78	JMS10SCMS-78	Pan Head Round Neck Screw	M6x12	1
79		Rivet	Ø4x6.35	5
81	TS-1541011	Nylon Insert Lock Nut	M5	1
82	TS-1541021	Nylon Insert Lock Nut	M6	4
83	TS-1541031	Nylon Insert Lock Nut	M8	2
84	TS-2342161	Nylon Insert Lock Nut	M16	1
85	JMS10SCMS-85	Strain Relief		1
86	JMS10SCMS-86	Cable Clamp	1/2"	2
88	JMS10SCMS-88	Terminal		2
89	TS-1541041	Nylon Insert Lock Nut	M10	1
90	JMS10SCMS-90	Dust Bag		1
91	TS-1540041	Hex Nut	M6	2
92	JMS10SCMS-92	Washer	M8x23x1.5	1
93	JMS10SCMS-93	Label: Rotation		1
94		Pin	Ø5x16	2
95	JMS10SCMS-95	Knob		2
96	JMS10SCMS-96	Stop Screw		1
97	JMS10SCMS-97	Bevel Lock Handle		1
98	JMS10SCMS-98	Pointer		1
99	JMS10SCMS-99	Disc		1
100	JMS10SCMS-100	Anchor Plate		1
101	JMS10SCMS-101	Pulley		1
102	JMS10SCMS-102	Power Cord		1
103	JMS10SCMS-103	Warning Label: Avoid Exposure		1
104	JMS10SCMS-104	Bushing		1
105	JMS10SCMS-105	Locking Rod		1

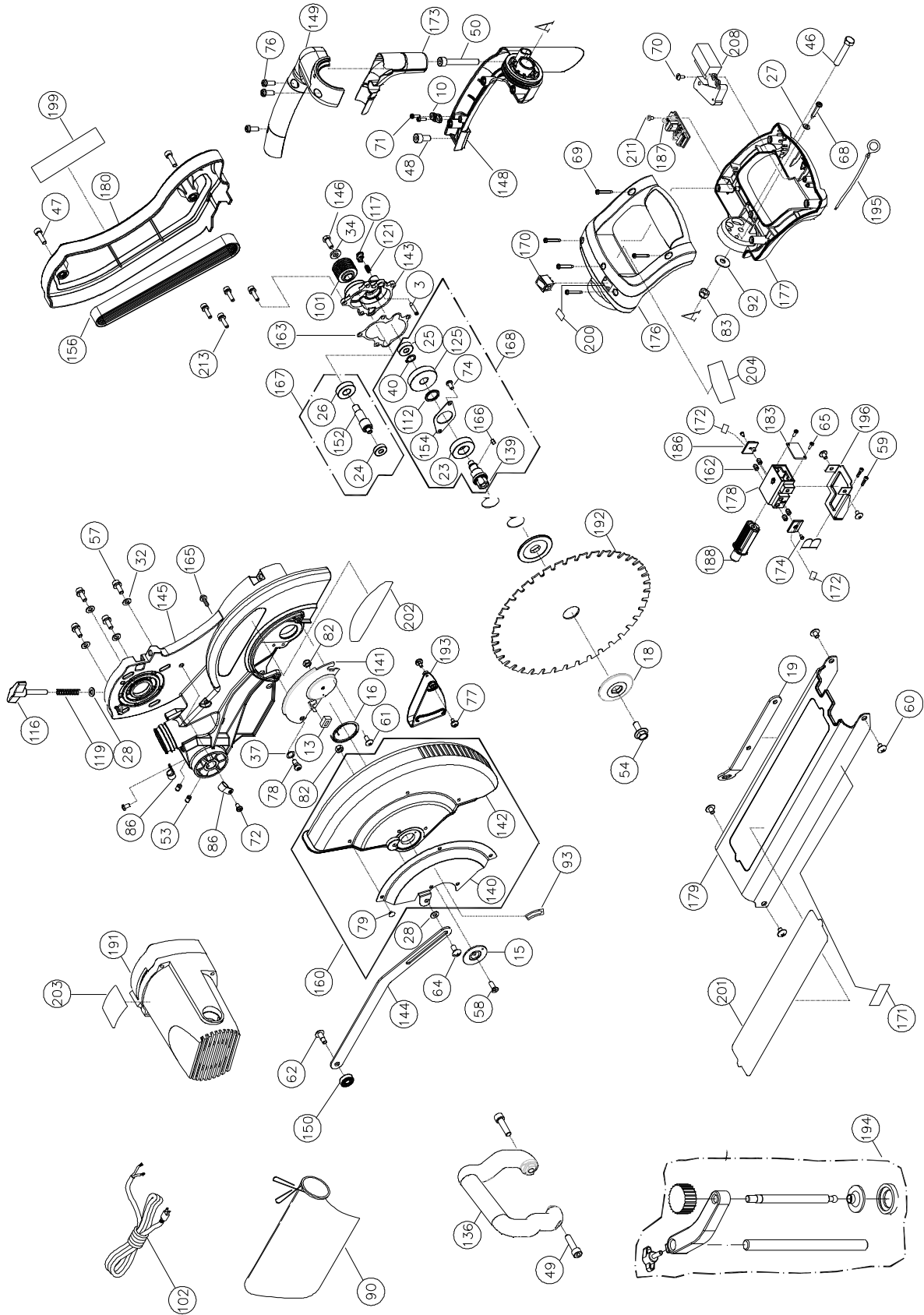
## Parts List

Index No.	Part No.	Description	Size	Qty
106		Slide Bar, Right		1
107		Slide Bar, Left		1
108	JMS10SCMS-108	Pivot Shaft		1
109	JMS10SCMS-109	Label: Bevel Lock		1
110	JMS10SCMS-110	Table Insert, Right		1
111	JMS10SCMS-111	Table Insert, Left		1
112		Collar		1
113		Shaft		1
114	JMS10SCMS-114	Set Nut		1
115	JMS10SCMS-115	Screw Stop		1
116	JMS10SCMS-116	Lock Knob		1
117	JMS10SCMS-117	Lock Knob		1
118	JMS10SCMS-118	Anchor Plate		1
119	JMS10SCMS-119	Compression Spring		1
120	JMS10SCMS-120	Pin	Ø4x22	1
121	JMS10SCMS-121	Compression Spring		1
122	TS-1523051	Socket Set Screw	M6x16	2
124	JMS10SCMS-124	SHCS with Lock Washer & Flat Washer	M5x12	4
125		Helix Gear		1
126	JMS10SCMS-126	Base		1
127	JMS10SCMS-127	Fence		1
128	JMS10SCMS-128	Fence Extension, Left		1
129	JMS10SCMS-129	Fence Extension, Right		1
130	JMS10SCMS-130	Slide Plate		3
131		Lock Handle		1
132	JMS10SCMS-132	Table		1
133	JMS10SCMS-133	Pointer, Left		1
134	JMS10SCMS-134	Pointer, Right		1
136	JMS10SCMS-136	Handle		1
137		Pivot Support		1
138		Rear Slide Bar Seat		1
139		Arbor		1
140		Bracing Plate		1
141	JMS10SCMS-141	Guard Plate		1
142		Blade Guard		1
143	JMS10SCMS-143	Gear Box Cover		1
144	JMS10SCMS-144	Lever		1
145	JMS10SCMS-145	Saw Arm		1
146	TS-1482031	Hex Cap Screw	M6x16	1
147	JMS10SCMS-147	SHCS with Lock Washer & Flat Washer	M5x40	1
148	JMS10SCMS-148	Upper Handle Segment		1
149	JMS10SCMS-149	Lower Handle Segment		1
150	JMS10SCMS-150	Collar		1
151	JMS10SCMS-151	Plate		2
152		Gear Shaft		1
153	JMS10SCMS-153	Torsion Spring		1
154		Bearing Protector		1
155	JMS10SCMS-155	Washer		4
156	JMS10SCMS-156	V-Ribbed Belt	195J8	1
157	JMS10SCMS-157	Pivot Shaft		1
158	JMS10SCMS-158	Locating Bar		1
159	JMS10SCMS-159	Linear Motion Bearing	LM30LLU	1
160	JMS10SCMS-160	Blade Guard Assembly		1
161	JMS10SCMS-161	Locking Handle Assembly		1
162	JMS10SCMS-162	Slotted Set Screw	M6x8	4
163	JMS10SCMS-163	Gasket		1

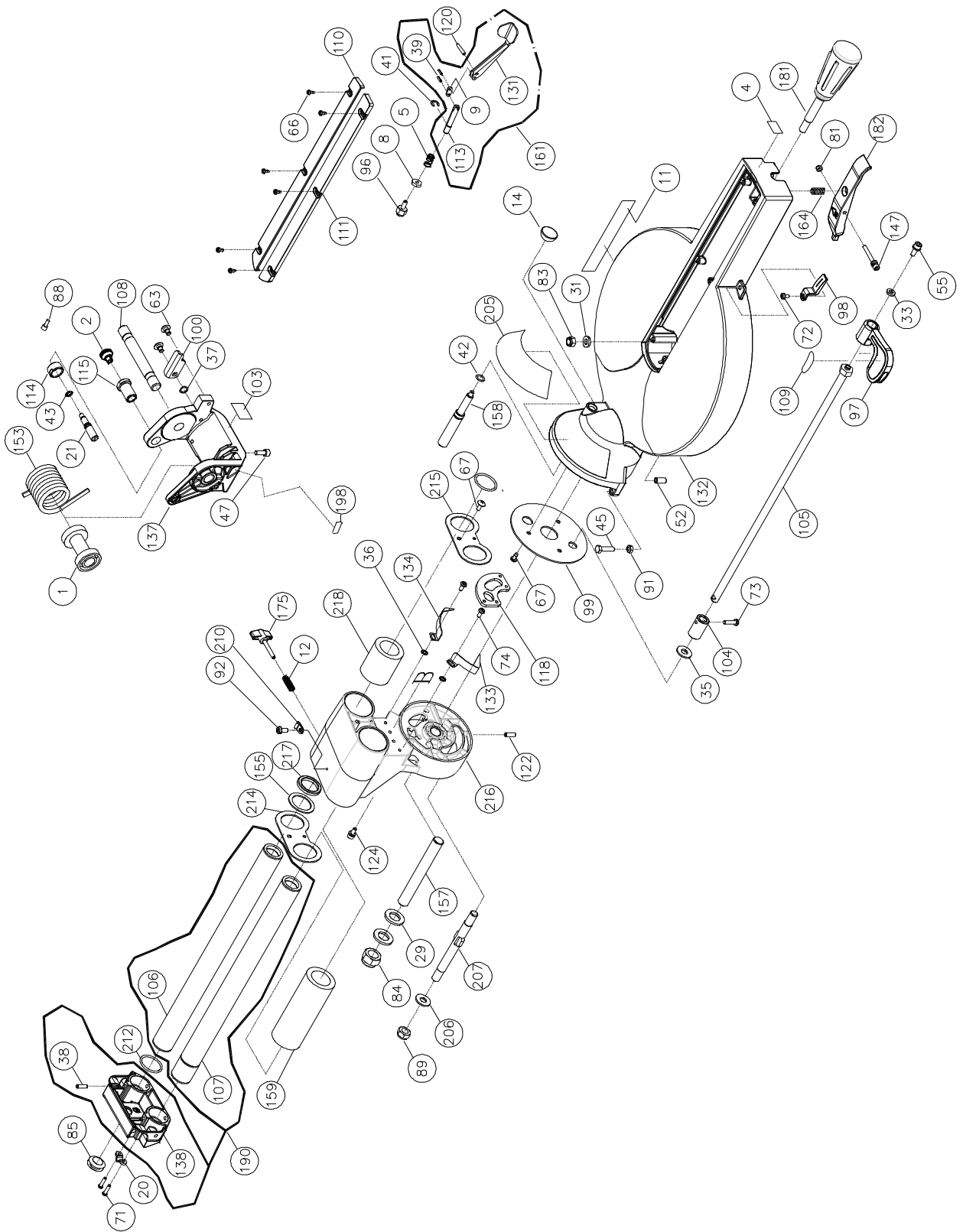
## Parts List

Index No.	Part No.	Description	Size	Qty
164	JMS10SCMS-164	Compression Spring		1
165	JMS10SCMS-165	Truss Head Screw	M3x12	1
166		Key	4x4x8	1
167	JMS10SCMS-167	Gear Shaft Assembly		1
168	JMS10SCMS-168	Arbor Assembly		1
169	JMS10SCMS-169	Base Rear Extension		1
170	JMS10SCMS-170	Rocker Switch		1
171	JMS10SCMS-171	Warning Label		1
172	JMS10SCMS-172	Label: Do Not Remove		2
173	JMS10SCMS-173	Insulator		1
174	JMS10SCMS-174	Rivet		2
175	JMS10SCMS-175	Locking Knob		1
176	JMS10SCMS-176	Upper Handle		1
177	JMS10SCMS-177	Lower Handle		1
178	JMS10SCMS-178	Laser Housing		1
179	JMS10SCMS-179	Slide Bar Guard		1
180	JMS10SCMS-180	Pulley Cover		1
181	JMS10SCMS-181	Locking Handle Assembly		1
182	JMS10SCMS-182	Release Lever		1
183	JMS10SCMS-183	Clear Panel		1
184	JMS10SCMS-184	Locking Handle Assembly		2
185		Lock Handle		2
186	JMS10SCMS-186	Guard Plate		2
187	JMS10SCMS-187	Green Laser Controller Assembly		1
188	JMS10SCMS-188	Green Laser		1
190	JMS10SCMS-190	Slide Bar Assembly		1
191	JMS10SCMS-191	Motor		1
	JMS10SCMS-191MB	Motor Brush (not shown)		2
	JMS10SCMS-191MBC	Motor Brush Cover (not shown)		2
192	JMS10SCMS-192	Saw Blade	10"x40Tx5/8" Arbor	1
193	JMS10SCMS-193	Guard		1
194	JMS10SCMS-194	Clamp Hold Down Assembly		1
195	JMS10SCMS-195	Lead Wire		1
196	JMS10SCMS-196	Laser Housing Bracket		1
198	JMS10SCMS-198	Label: Laser Caution		1
199	JMS10SCMS-199	JET Label for Pulley Cover		1
200	JMS10SCMS-200	Label: Laser On/Off		1
201	JMS10SCMS-201	JET Label for Slide Bar Guard		1
202	JMS10SCMS-202	JET Label		1
203	JMS10SCMS-203	ID Label		1
204	JMS10SCMS-204	JET Label for Handle		1
205	JMS10SCMS-205	Bevel Angle Scale		1
206	TS-0680041	Flat Washer	3/8	1
207	JMS10SCMS-207	Special Bolt		1
208	JMS10SCMS-208	Trigger Switch		1
209	JMS10SCMS-209	Miter Angle Scale		1
210	JMS10SCMS-210	Cable Clamp	1/8"	1
211	JBTS10MJS-70	Pan Head Tapping Screw	M3-24x6	1
212	JMS10SCMS-212	O-Ring	30x3.5	2
213	TS-1502051	Socket Head Cap Screw	M5x20	4
214	JMS10SCMS-214	Cover Plate		1
215	JMS10SCMS-215	Cover Plate		1
216	JMS10SCMS-216	Slide/Bevel Arm		1
217	JMS10SCMS-217	Collar		1
218	JMS10SCMS-218	Linear Motion Bearing	LM30SUU	1

# Assembly Drawing

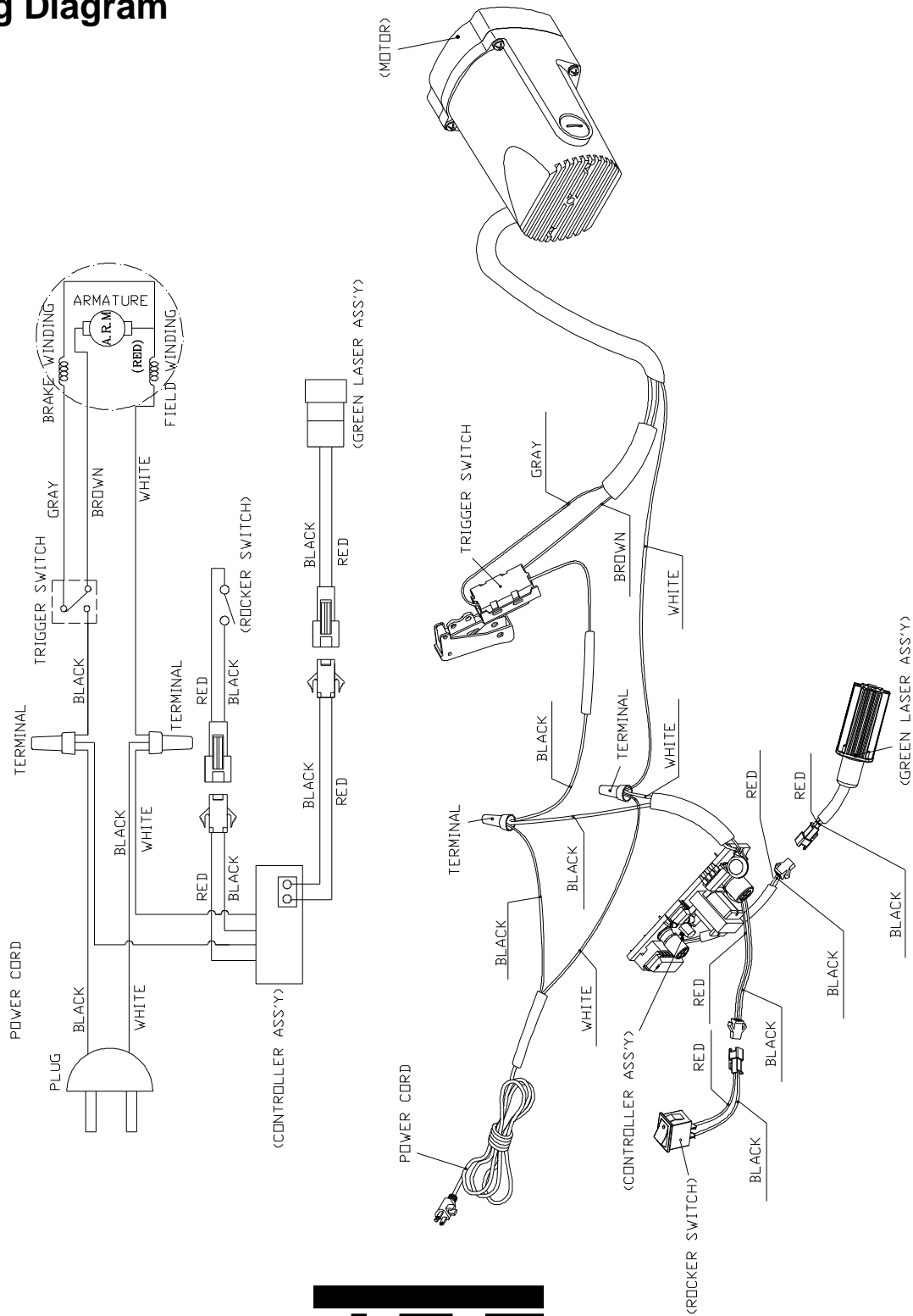


# Assembly Drawing





# Wiring Diagram



# JET<sup>®</sup>

**WALTER MEIER (Manufacturing) Inc.**  
 427 New Sanford Road  
 LaVergne, Tennessee 37086  
 Phone: 800-274-6848  
[www.waltermeier.com](http://www.waltermeier.com)