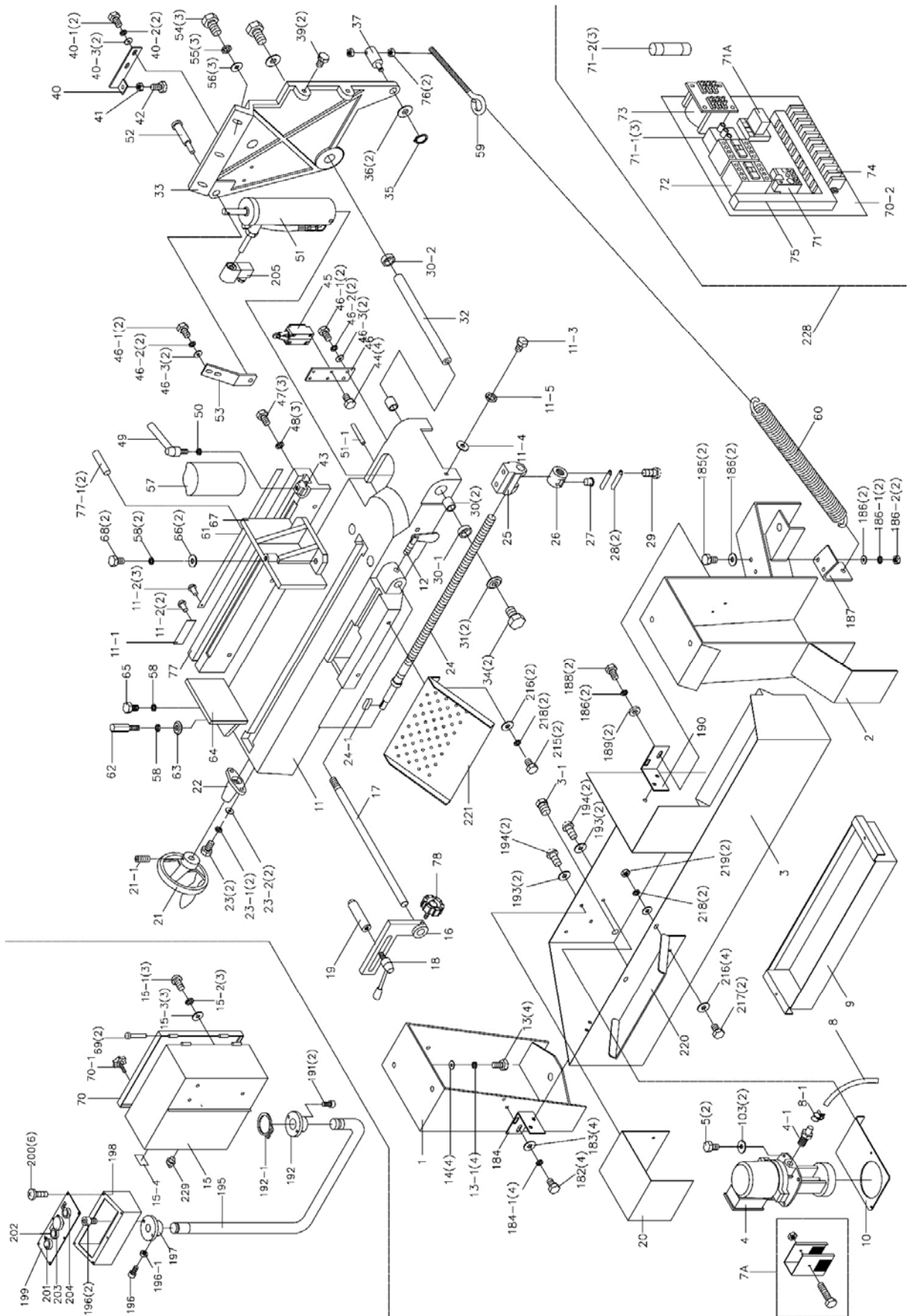


14.1.1 Base (J-7020/7040) – Exploded View



14.1.2 Base (J-7020/7040) – Parts List

Index No	Part No	Description	Size	Qty
1	J-5712251	Foot, Left		1
2	J-5712261	Foot, Right		1
3	J-5712271	Coolant Reservoir		1
3-1	5519485	Stopper (PT 3/8")		1
4	J-5712281	Coolant Pump 115/220, 1-Phase		1
	J-5712921A	Coolant Pump 220/440, 3-Phase		1
4-1	5519486	Adapter (PT 3/8")		1
5	5712291	Pan Head Screw	1/4" x 5/8"	2
7A	5512101	Filter Screen w/Screw		1
8	5712331	Hose	5/16"	1
8-1	5519487	Hose Clamp		6
9	5712341	Chip Pan		1
10	J-5712351	Pump Bracket		1
11	J-5712361	Work Table		1
11-1	5519491	Label, Made in Taiwan		1
11-2	5519492	Rivet	2mm	14
11-3	TS-1482011	Hex Cap Screw	M6x 10	1
11-4	TS-1550041	Washer	M6	1
11-5	TS-2361061	Spring Washer	M6	1
12	5712371	Screw	5/16" x 3/4 "	1
13	5712381	Hex Cap Screw	1/2" x 1"	4
13-1	5712391	Spring Washer	1/2"	4
14	5712641	Washer	1/2"	4
15	J-5712411	Electrical Control Box		1
15-1	5519488	Hex Cap Screw	5/16" x 3/4"	3
15-2	TS-0720081	Spring Washer	5/16"	3
15-3	TS-0680031	Washer	5/16"	3
15-4	5519501	Label, Pump Switch		1
16	5712421	Work Stop Bracket		1
17	5712431	Work Stop Rod		1
18	5712441	Locking Screw		1
19	5712451	Screw	1/2"	1
20	J-5712461	Pump Cover		1
21	5712471	Hand Wheel Assembly		1
21-1	5519494	Set Screw	5/16"x1/2"	1
22	J-5712481	Lead Screw Bracket		1
23	5712491	Screw	5/16" x 1/4"	2
23-1	TS-0720081	Spring Washer	5/16"	2
23-2	TS-0680031	Washer	5/16"	2
24	5712511	Vise Lead Screw		1
24-1	5519710	Key	5x5x20mm	1
24A	5514806	Collar with Pin		1
25	5712521	Lead Screw Bracket		1
26	5712531	Acme Nut		1
27	5712541	Button		1
28	5712551	Retainer		2
29	5712561	Screw	M5 x 8	1
30	5712571	Needle Bearing	CB3020	2
30-1	5519495	Bushing	4mm	1
30-2	5519496	Bush	2mm	1
31	5712581	Washer	1/2"	2
32	5712591	Pivot Shaft		1
33	J-5712611	Pivot Bracket		1
34	5712621	Screw	1/2" x 3/4"	2
35	5712631	Retaining Ring	S12	1
36	5712641	Washer	1/2"	2
37	5712651	Spring Pull Pivot		1
39	5712671	Screw	5/8" x 1"	2
40	5712681	Regulating Seat		1
40-1	TS-0051021	Hex Cap Screw	5/16" x 5/8"	2

Index No	Part No	Description	Size	Qty
40-2	TS-0720081	Spring Washer	5/16"	2
40-3	TS-0680031	Washer	5/16"	2
41	5712691	Nut	3/8"	1
42	5712711	Screw	3/8"x 1"	1
43	5712721	Protractor Stop Block		1
44	5712731	Screw	M6 x 12	4
45	5712741	Limit Switch (For Saw Serial No. 12020250 and Earlier)		1
	5712741N	Limit Switch (For Saw Serial No. 12020251 and Later)		1
46	5712751	Limit Switch Bracket		1
46-1	TS-0051021	Hex Cap Screw	5/16" x 5/8"	4
46-2	TS-0720081	Spring Washer	5/16"	4
46-3	TS-0680031	Washer	5/16"	4
47	5712761	Screw	3/8" x 1"	3
48	5712771	Spring Washer	3/8"	3
49	5712781	Locking Handle		1
50	5712791	Washer	1/2"	1
51	5511502	Hydraulic Cylinder Assembly (For Saw Serial No. 704017 and Earlier)	2-1/2 in.	1
	5712811	Hydraulic Cylinder Assembly (For Saw Serial No. 704018 and Later)	3-in.	1
51-1	5519497	Cylinder Pin, Bottom		1
52	5712821	Cylinder Pin, Top		1
53	5712831	Hydraulic Mounting Plate		1
54	5712841	Screw	3/8" x 2	3
55	5712851	Spring Washer	3/8"	3
56	5712861	Washer	3/8"	3
57	J-5712871	Protractor Vise Block		1
58	5712881	Spring Washer	1/2"	4
59	5712891	Spring Pull Rod		1
60***	5712911	Spring	30mm - Old	2
	5519498	Spring	32mm - New	1
61	5712921	Angle Scale		1
62	5712931	Screw	1/2" x 1-1/2"	1
63	5712941	Washer	1/2"	2
64	J-5712951	Vise Jaw, Left		1
65	5712961	Screw	1/2" x 1-1/2"	1
66	5712971	Washer	1/2"	2
67	J-5712981	Vise Jaw, Right		1
68	5712991	Screw	1/2" x 1-3/4"	2
69	5713011	Pin		2
70	J-5713021	Electrical Cabinet Door		1
70-1	5519499	Knob		1
70-2	5519500	Plane		1
71	5507542	Overload, Model J-7020 (115V,1-ph)		1
	5713031	Overload, Model J-7020 (220V,1-ph)		1
	5512660	Overload, Model J-7040 (220V,3-ph)		1
	5712661	Overload, Model J-7040 (440V,3-ph)		1
71-1	5519502A	Fuse Bracket (For Saw Serial No. 12020251 and Later)		3
71-2	5519503A	Fuse (Serial No. 12020251 and Later)	1A	3
71A	5508409	Relay	115/220 NO.	1
72	5713041	Magnetic Switch	115/220 1-Phase	1
	5713001	Magnetic Switch	220/440 3-Phase)	1
73	5713051	Transformer		1
74	5713061A	Terminal Strip		1
75	5713071	Spring, Protective Casing		1
76	5713081	Nut	3/8"	2
77	J-5713091	Protractor Seat		1
77-1	5519505	Pin	5 x 32mm	2
78	5713111	Knob		1
182	5713121	Screw	5/16"x 1/2"	4
183	TS-0680031	Washer	5/16"	4
184	5713141	Bracket		1

Index No	Part No	Description	Size	Qty
184-1	TS-0720081	Spring Washer	5/16"	4
185	5713151	Screw	3/8" x 1"	2
186	5713161	Washer	3/8"	2
186-1	5713481	Spring Washer	3/8"	2
186-2	5519507	Nut	3/8"	2
187	J-5713171	Spring Bracket		1
188	5713181	Screw	5/16" x 1/2"	2
189	5713191	Washer	5/16"	2
190	5713211	Locking Wheel		1
191	5713221	Screw	1/4" x 3/4"	2
192	J-5713231	Swivel Bushing		1
192-1	5519509	C-Ring		1
193	5713241	Spring Washer	1/4"	4
194	5713251	Screw	1/4" x 3/8"	4
195	J-5713261	Control Column		1
196	5713271	Screw	1/4" x 3/4"	2
196-1	5519510	Nut	1/4"	2
197	J-5713281	Swivel Bushing		1
198	J-5713291	Control Box		1
199	5713311	Control Panel		1
200	5713321	Screw	3/16" x 1/4"	6
201	5713331	Electric Lamp (For Saw Serial No. 12020250 and Earlier)		1
	5713331N	Electric Lamp (For Saw Serial No. 12020251 and Later)		1
202	5713341	Start Switch (For Saw Serial No. 12020250 and Earlier)		1
	5713341N	Start Switch (For Saw Serial No. 12020251 and Later)		1
203	5713351	Stop Switch (For Saw Serial No. 12020250 and Earlier)		1
	5713351N	Stop Switch (For Saw Serial No. 12020251 and Later)		1
204	5713361	Down Switch (For Saw Serial No. 12020250 and Earlier)		1
	5713361N	Down Switch (For Saw Serial No. 12020251 and Later)		1
205	5713371	E-M Valve Complete		1
215	5712301	Hex Head Screw		2
216	5712401	Flat Washer		16
217	5712501	Hex Head Screw		2
218	5712601	Lock Washer		8
219	5712701	Hex Nut		8
220	5712801	Shelf		1
221	5712901	Drain Shelf		1
228	5514613	Complete Electrical Panel (For Saw Serial No. 12020250 and Earlier)	3-Phase	1
	5514613N	Complete Electrical Panel (For Saw Serial No. 12020251 and Later)	3-Phase	1
	5514616	Complete Electrical Panel (For Saw Serial No. 12020250 and Earlier)	1-Phase	1
	5514616N	Complete Electrical Panel (For Saw Serial No. 12020251 and Later)	1-Phase	1
229	5516855	Coolant Pump Switch (For Saw Serial No. 12020250 and Earlier)		1
	5516855N	Coolant Pump Switch (For Saw Serial No. 12020251 and Later)		1
	STRIPE-1-3/4	JET stripe (not shown)		sold per ft.

*** Spring Changed since Dec. '96

Piston/Seal Kit 5512787
E-M valve & coil 5713371A
Not shown in exploded view.

14.2.2 Head (J-7020/7040) – Parts List

Index No	Part No	Description	Size	Qty
79	5713381	Screw	1/4" x 3/8"	4
80	J-5713391	Blade Wheel Cover		1
80-1	5518109	Label, JET Logo		1
80-2	5519511	Label, Blade Size		1
80-3	5519512	Label, Warning		1
81	J-5713411	Wire Brush Guard		1
82	5713421	Handle		2
83	5713431	Washer	1/2"	1
84	J-5713831	Drive Wheel		1
84-1	5712641	Washer	1/2"	1
85	5674011	Blade, Bi-Metal	4/6 Vari Tooth	1
	5674021	Blade, Bi-Metal	6/10 Vari Tooth	1
86	5713461	Hose		1
86-1	5519515	Hose Clamp		1
87	5713471	Screw	3/8" x 1-1/4"	4
88	5713481	Spring Washer	3/8"	4
89	5713491	Screw	1/2" x 1-1/4"	4
89-1	5519671	Setscrew	3/8" x 1/2"	2
90	5713511	Screw	5/16" x 1/2"	2
91	5713521	Screw	1/4" x 5/8"	4
91-1	5713661	Washer	1/4"	4
92	J-5713531	Blade Wheel Box, Right		1
92-1	5519672	Label, Tension		1
92-2	5519673	Label, ID		1
93	J-5713541	Support Bracket Seat		1
93-1	5519674	Nut	1/2"	1
93-2	5519490	Hex Cap Screw	1/2" x 2"	1
94	J-5713551	Gear Box Assembly		1
94-1	5519675	Key	7x7x40mm	1
95	5513734	Key	7 mm	1
96	J-5713571	Pulley Cover		1
96-1	5519676	Knob		1
96-3	5519677	Label, Speed Chart		1
97	5713581	Gear Box Pulley		1
98	5713591	Belt	5300, 17x730L	1
99	5713611	Motor Pulley		1
100	J-5713621	Base Plate		1
100-1	5519678	Rod		1
100-2	5519679	Bracket		1
100-3	TS-0680031	Washer	5/16"	1
100-4	TS-0720081	Spring Washer	5/16"	2
100-5	5519680	Hex Cap Screw	5/16" x 1-1/4"	1
100-6	5519506	Hex Cap Screw	5/16" x 1/2"	1
100-7	5519681	Bushing	9mm	2
100-8	TS-0680031	Washer	5/16"	2
102	5713631	Washer	5/16"	2
103	5713661	Washer	1/4"	1
104	5713651	Spring Washer	1/4"	4
105	5713661	Washer	1/4"	4
106	5713671	Screw	1/4" x 3/8"	6
107	5628371	Spring Washer	1/2"	4
108	5713691	Washer	5/16"	4
109	5713711	Screw	3/8" x 1"	2
110	5713721	Screw	5/16" x 5/8"	4
111	J-5713731	Motor	1.5 HP 115/230V 1-Phase	1
	5713732	Motor	2 HP 230/460V 3-Phase	1
111-1	5519682	Label, Motor	1.5HP, 115/230 3-Phase	1
	5519683	Label, Motor	2HP, 230/460 3-Phase	1
112	5713741	Bolt	1/2" x 3/4"	1
114	5513733	Key	7 mm	1

Index No	Part No	Description	Size	Qty
115	5713761	Washer	1/2"	1
116	5713771	Washer	5/16"	2
118	5713781	Screw	M16 x 30	3
119	5713791	Screw	1/2" x 3/4"	1
120	5713811	Washer	1/2"	1
121	9100321	Bearing	6205Z	2
122	J-5713441	Idler Wheel		1
123	J-5713841	Blade Guard		1
123-1	5519506	Hex Cap Screw	5/16" x 1/2"	1
123-2	TS-0720081	Spring Washer	5/16"	2
123-3	5713131	Washer	5/16"	1
124	5713851	Left Blade Guide Bracket		1
124A	5713851A	Right Blade Guide Bracket		2
124-1	5519684	Tube		2
125A	5717138	Eccentric Shaft Assembly		2
125B	5517142	Center Shaft Assembly		2
126	5713871	Blade Guide Tungsten Carbide		2
126-1	5713661	Washer	1/4"	8
126-2	5713651	Spring Washer	1/4"	4
126-3	5519508	Hex Socket Cap Screw	1/4" x 1"	4
127	5713881	Elevating Block		2
127-1	5519508	Hex Socket Cap Screw	1/4" x 1"	4
127-2	5713651	Spring Washer	1/4"	4
127-3	5713661	Washer	1/4"	4
128	5713891	Active Block		2
129	5713911	Screw	1/4" x 5/16"	2
130	5632831	Bearing	608ZZ	4
131	TS-0720081	Spring Washer	5/16"	4
132	5713941	Screw	5/16" x 1-3/4"	4
133	5713951	Spring Washer	5/16"	4
134	J-5713961	Guide Support		2
134-1	5518423	Label, Blade Orientation		2
135	5713971	Angle Scale		1
136	5713981	Screw	M5 x 0.8	4
137	J-5713991	Guide Support Mount		1
138	J-5714011	Guide Support Bracket (left)		1
138-1	5519685	Rubber Clamp		4
138-2	5519686	Pan Head Screw	M5 x 8	4
139	5714021	Screw	1/2" x 1"	4
139-1	5713761	Washer	1/2"	4
140	5714031	Knob		2
141	5714041	Washer	3/8"	2
142	5714051	Locking Block		2
143	5714061	Screw	5/16" x 1/2"	4
144	J-5714071	Guide Support Bracket (Right)		1
145	5714161	Bolt	1/4" x 1/2"	1
146	5713661	Spring Washer	1/4"	1
147	5714111	Wire Brush		1
147-1	5519687	Shaft		1
148	5714121	Steel Brush Seat		1
149	TS-0720081	Spring Washer	5/16"	2
150	5714141	Hose Clamp		2
151	5713651	Spring Washer	1/4"	4
152	5714161	Screw	1/4" x 1/2"	4
153	5628371	Spring Washer	1/2"	4
154	5714181	Gib		2
155	5714191	Screw	1/2" x 3/4"	1
156	5714211	Screw	M8 x 20	4
156-1	5519688	Spring Washer (MB)		4
158	5714221	Knob		4
159	5714231	Flexible Nozzle		1
159-1	5519689	Flow Valve		2

Index No	Part No	Description	Size	Qty
160	5714241	Blade Wheel Shaft		1
161	5714251	Threaded Nut		1
161-1	5519690	Pan Head Screw	M6x12	2
161-2	5519691	Tension Scale		1
162	5714261	Screw	5/16" x 1/2"	1
163	J-5714271	Slide Bracket		1
163-1	5519692	Nut		1
163-2	5519693	Set Screw		1
164	5714281	Washer		1
165	5714291	Relief Valve		1
166	5714311	Connection Head		1
166-1	5519694	Rubber Clamp		1
166-2	5519695	Pan Head Screw	M5x8	1
167	5507790	Bearing	51104NJK	1
172	5714331	Bow Handle		1
173	5711091	Nut	1/2"	2
174	5714351	Washer		1
175	5714361	Special Spring Washer		13
176	5714371	Hand Wheel		1
177	J-5714381	Slide Bracket		1
178	5714391	Tension Shaft		1
179	5714411	Key	5 mm	1
180	5714421	Screw	3/8" x 2-1/2"	3
180-1	5713481	Spring Washer	3/8"	3
210	J-5714431	Oil Pressure Seat		1
210-1	TS-0680031	Washer	5/16"	2
210-2	TS-0720081	Spring Washer	5/16"	2
210-3	5519489	Hex Cap Screw	5/16" x 5/8"	2
211	J-5714441	Cover Cap		1
212	5714451	Screw	5/16" x 5/8"	2
213	5714461	Control Panel		1
214	5714471	Screw	1/4" x 3/8"	2
216	5516850	Washer		6
222	5516849	Screw		4
222-1	TS-0720081	Spring Washer	5/16"	4
230	5713941	Screw	5/16 x 1-3/4	4
231	5712881	Spring Washer	1/2"	4
232	5517141	Eccentric Shaft Bushing		2
233	5517140	Center Shaft Bushing		2
234	5713861	Ball Bearing	6201ZZ	8
235	5713761	Washer	1/2"	4
236	5519696	Arm Stop		1
236-1	5711091	Nut	1/2"	1

15.0 Electrical Connections

15.1 Electrical Connections – single phase only (model J-7020)

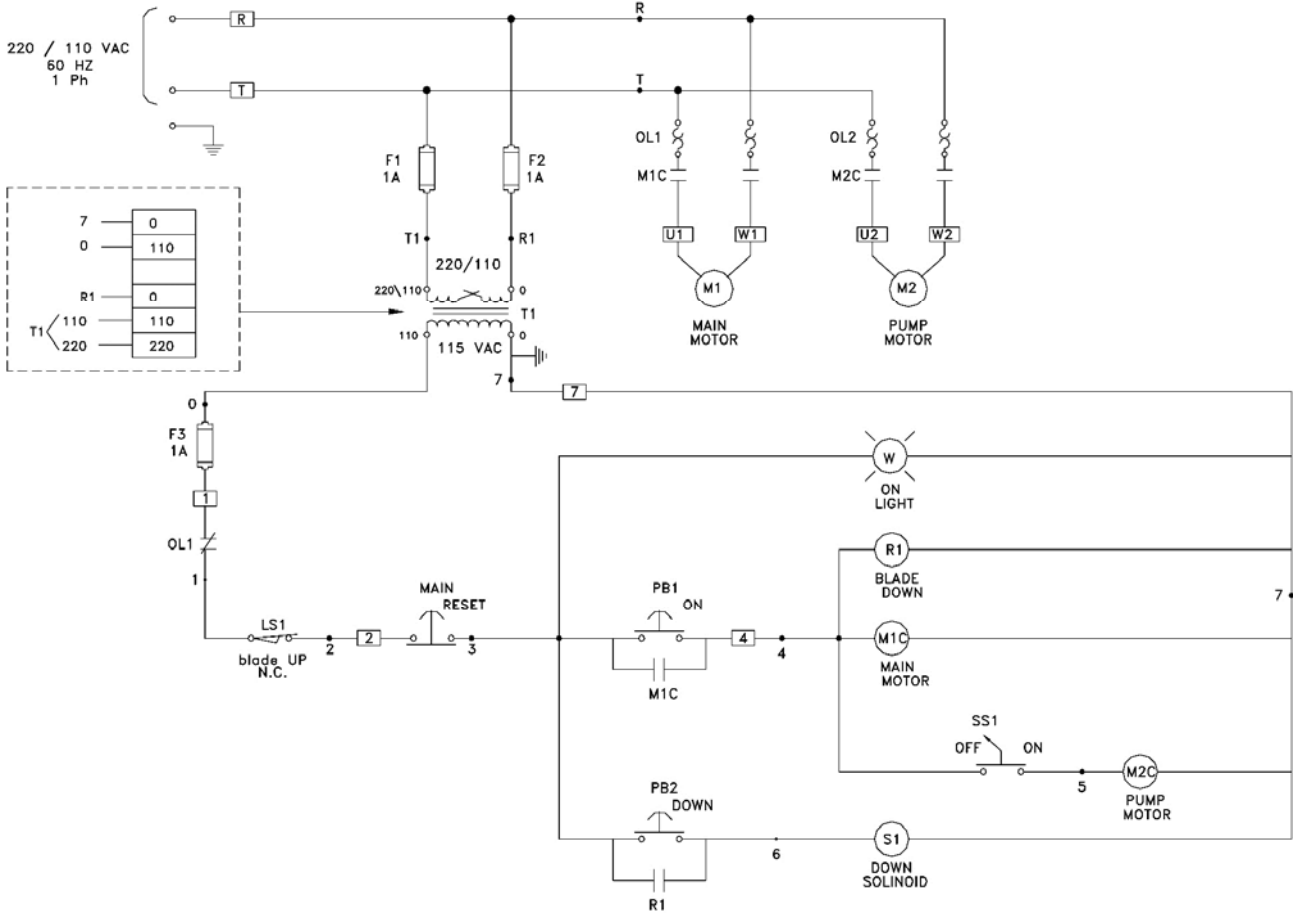


Figure 20: Model J-7020 wiring diagram

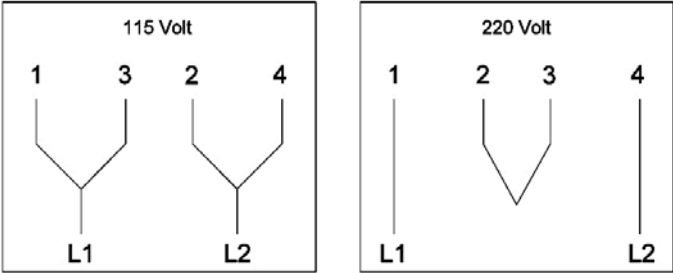


Figure 21: Connection diagram for 1PH motor

15.2 Electrical Connections – three phase only (model J-7040)

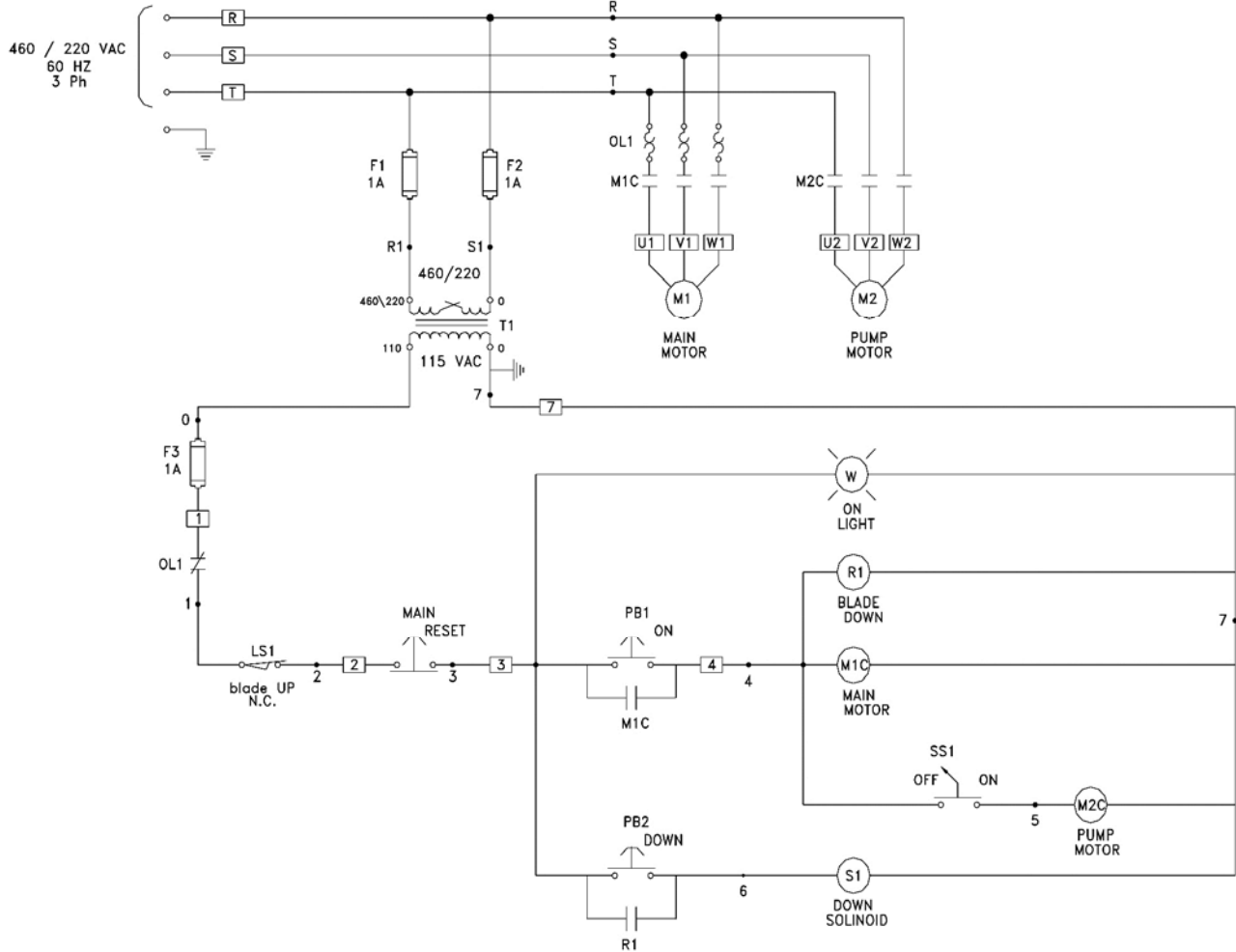


Figure 22: Model J-7040 wiring diagram

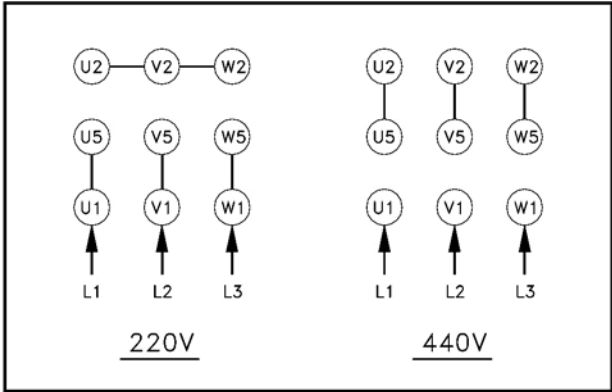


Figure 23: Connection diagram for 3PH motor