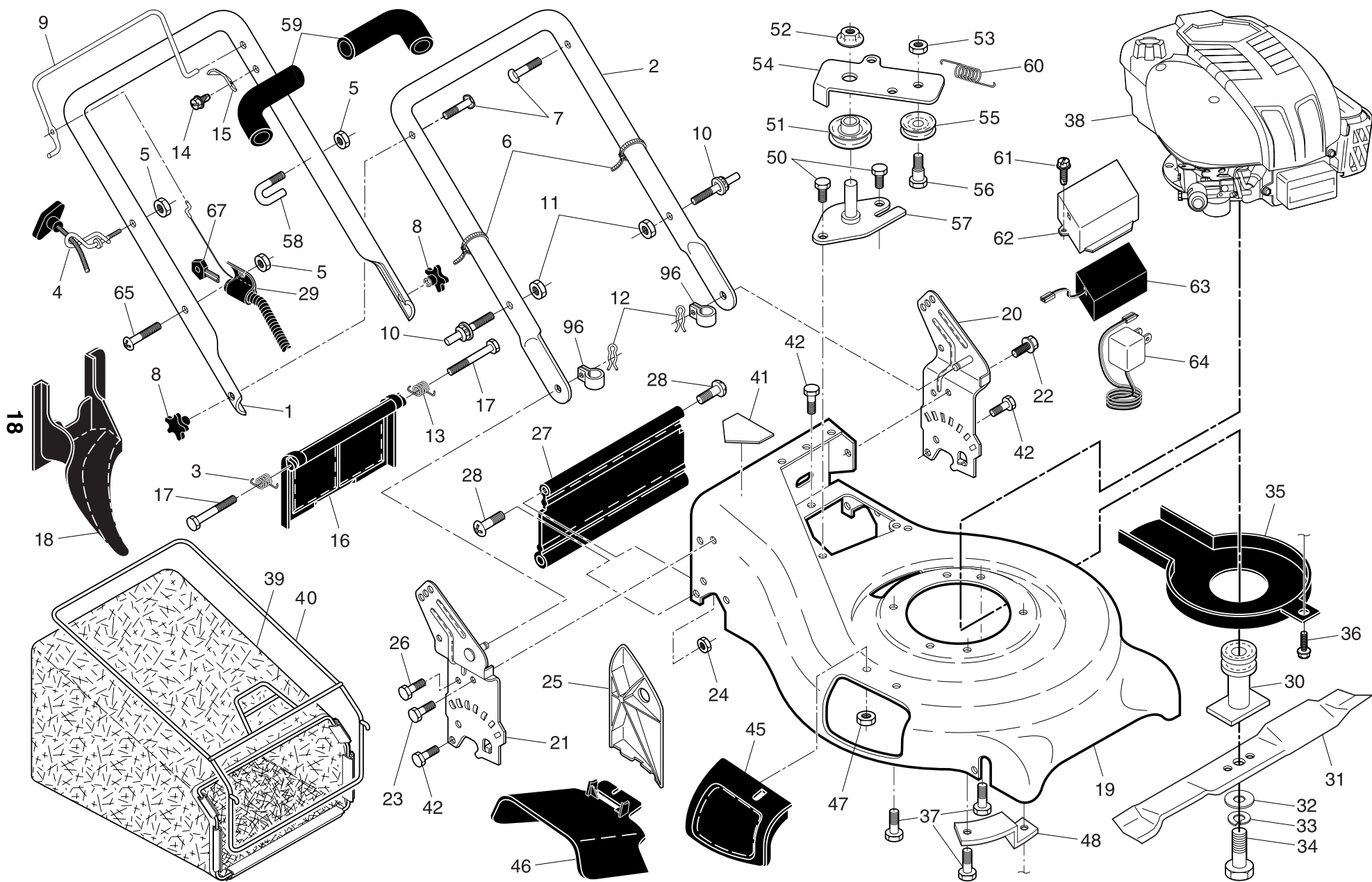


# ROTARY LAWN MOWER - - MODEL NUMBER 7021RES (96143001800) - PRODUCT NUMBER 961 43 00-18



# ROTARY LAWN MOWER - - MODEL NUMBER 7021RES (96143001800) - PRODUCT NUMBER 961 43 00-18

KEY NO.	PART NO.	DESCRIPTION	KEY NO.	PART NO.	DESCRIPTION
1	532 19 99-82	Handle, Upper (Includes Foam Grip)	35	532 18 87-86	Debris Shield
2	532 19 72-02	Handle, Lower	36	532 19 23-25	Screw
3	532 18 60-53	Spring, Rear Door, RH	37	532 15 04-06	Bolt, Engine
4	532 19 47-88	Guide, Rope, Side	38	- - -	Engine, Briggs & Stratton, Model Number 128605 (For engine service and replacement parts, call Briggs & Stratton at 1-800-233-3723)
5	532 13 20-04	Nut, Hex Lockwasher Insert 1/4-20			
6	532 06 64-26	Wire, Tie			
7	532 19 15-74	Bolt, Handle 5/16-18 x 1.75	39	532 40 16-83	Grassbag
8	532 18 55-88	Knob, Handle	40	532 19 46-44	Frame, Grassbag
9	532 19 70-19	Bail, Flat, Auto-Walk, Orange	41	532 10 73-39	Danger Decal
10	532 18 88-21	Bolt, Carriage	42	532 05 45-83	Screw
11	873 93 05-00	Nut, Hex, Centerlock 5/16-18 UNC	45	532 19 05-10	Mulcher Door Assembly
12	532 05 17-93	Cotter, Hairpin	46	532 19 05-12	Deflector, Discharge
13	532 18 60-52	Spring, Rear Door, LH	47	532 08 83-49	Nut, Hex
14	532 75 06-34	Screw	48	532 19 09-39	Mounting Bracket, Debris Shield
15	532 12 51-62	Bracket, Upstop	50	532 05 78-08	Screw
16	532 19 05-74	Rear Door Assembly	51	532 19 37-91	Pulley Assembly, V-Groove
17	532 18 41-93	Bolt, Rear Door	52	532 14 52-12	Flange Nut
18	532 19 81-70	Plug, Mulcher	53	532 15 55-52	Locknut
19	532 40 38-16	Kit, Housing	54	532 19 68-12	Idler Arm
20	532 40 32-96	Handle Bracket Assembly, LH	55	532 16 60-43	Idler Pulley
21	532 40 32-97	Handle Bracket Assembly, RH	56	532 16 08-29	Shoulder Bolt
22	532 15 00-78	Screw, Hex Washer Head	57	532 19 33-15	Bracket Assembly
23	532 16 31-83	Bolt, Hex Head 5/16-18 x 5/8	58	532 18 20-03	Clip
24	873 80 05-00	Nut, Hex, with Lock Washer Insert 5/16-18	59	532 18 27-48	Grip, Handle, Foam, Smooth
25	532 16 13-33	Baffle, Side	60	532 18 22-26	Spring, Return
26	532 16 34-09	Screw 12 x 5/8	61	817 41 13-18	Screw
27	532 19 28-76	Skirt, Rear	62	532 19 34-76	Box, Battery
28	532 08 86-52	Screw, Hinge 1/4-20 x 1.25	63	532 18 95-89	Battery
29	532 19 49-53	Key Start Switch (Includes Cable and 2 Keys)	64	532 19 00-97	Charger, Battery
30	532 18 91-79	Blade Adapter / Pulley	65	532 18 61-59	Screw
31	532 18 90-28	Blade, 21"	67	532 18 03-31	Key
32	532 85 10-74	Washer, Hardened	96	532 19 79-91	Clip, Cable
33	532 85 02-63	Lockwasher, Helical Spring 3/8	- -	532 16 23-00	Warning Decal (not shown)
34	532 85 10-84	Screw, Hex Head 3/8-24 x 1.38	- -	532 40 38-15	Owner's Manual, English / French

**NOTE:** All component dimensions given in U.S. inches. 1 inch = 25.4 mm

**IMPORTANT:** Use only Original Equipment Manufacturer (O.E.M.) replacement parts. Failure to do so could be hazardous, damage your lawn mower and void your warranty.



# ROTARY LAWN MOWER - - MODEL NUMBER 7021RES (96143001800) - PRODUCT NUMBER 961 43 00-18

KEY NO.	PART NO.	DESCRIPTION	KEY NO.	PART NO.	DESCRIPTION
1	532 40 27-90	Drive Control Assembly (Includes Cable)	28	812 00 00-58	E-Ring 7/16
2	532 19 57-61	Cover, Top	29	532 18 94-03	Cover, Dust, Wheel
3	532 18 73-53	Pulley	30	873 80 04-00	Nut, Hex
4	532 19 00-39	Lever, Drive Control	31	532 17 50-98	Pawl
5	532 19 57-62	Cover, Bottom	32	532 40 05-43	Wheel & Tire Assembly, Rear 8 x 1-3/4
6	532 18 16-98	Screw	33	532 08 39-23	Nut, Flangelock 3/8-16
7	532 40 07-23	Mounting Bracket	34	532 17 51-03	Gear
8	532 18 62-97	Cap, Bottom	35	532 17 51-05	Retainer, Drive, LH
9	532 19 60-02	Cable, Drive	36	532 17 51-04	Disc, Drive
10	532 18 90-74	Decal, Drive Control	37	532 18 41-72	Seal, Friction
11	532 18 82-91	Spring, Torsion	38	532 17 51-02	Retainer, Drive, RH
12	532 75 06-34	Screw	40	532 40 05-42	Wheel & Tire Assembly, Front 8 x 1-3/4
13	532 19 33-54	Gear Case Assembly, Complete	41	532 18 83-30	Pinion Assembly, RH
14	532 19 34-43	Pulley, Drive	43	532 18 83-31	Pinion Assembly, LH
15	532 19 72-35	Kit, Wheel Adjuster Assembly, RH (Includes Knob and Bearing)	44	532 18 36-88	V-Belt
16	532 19 72-34	Kit, Wheel Adjuster Assembly, LH (Includes Knob and Bearing)	47	532 06 77-25	Washer
17	532 16 67-85	Nut, Hex	51	532 18 75-30	* Case, Lower
18	532 16 85-99	Spring, Selector	52	532 18 75-31	* Case, Upper
19	532 19 64-01	Knob, Selector Spring	53	532 18 75-32	Gear, 24 Teeth
20	532 16 57-04	Bracket, Wheel Adjusting	54	532 18 75-33	Shaft, Input
21	532 16 08-28	Bolt, Shoulder, Hex Head	55	532 18 35-05	Wire, Formed
22	532 19 10-39	Bearing, Ball	56	532 18 35-06	Bearing, Ball
23	532 18 92-78	Axle Arm Assembly, RH	57	532 18 35-08	Seal, Output Shaft
24	532 18 92-77	Axle Arm Assembly, LH	58	532 18 35-09	Washer
25	532 40 34-55	Cover Drive	59	532 18 35-11	Bushing
26	532 75 06-34	Screw, Threaded, Rolled #10-25 x .50	60	532 19 73-85	Shaft, Output
27	532 18 39-01	Spacer	61	532 18 35-13	Screw
			62	532 18 35-14	Seal, Input Shaft

\* Use Dow Corning #709 to reseal Gear Case Halves.

**NOTE:** All component dimensions given in U.S. inches. 1 inch = 25.4 mm

**IMPORTANT:** Use only Original Equipment Manufacturer (O.E.M.) replacement parts. Failure to do so could be hazardous, damage your lawn mower and void your warranty.