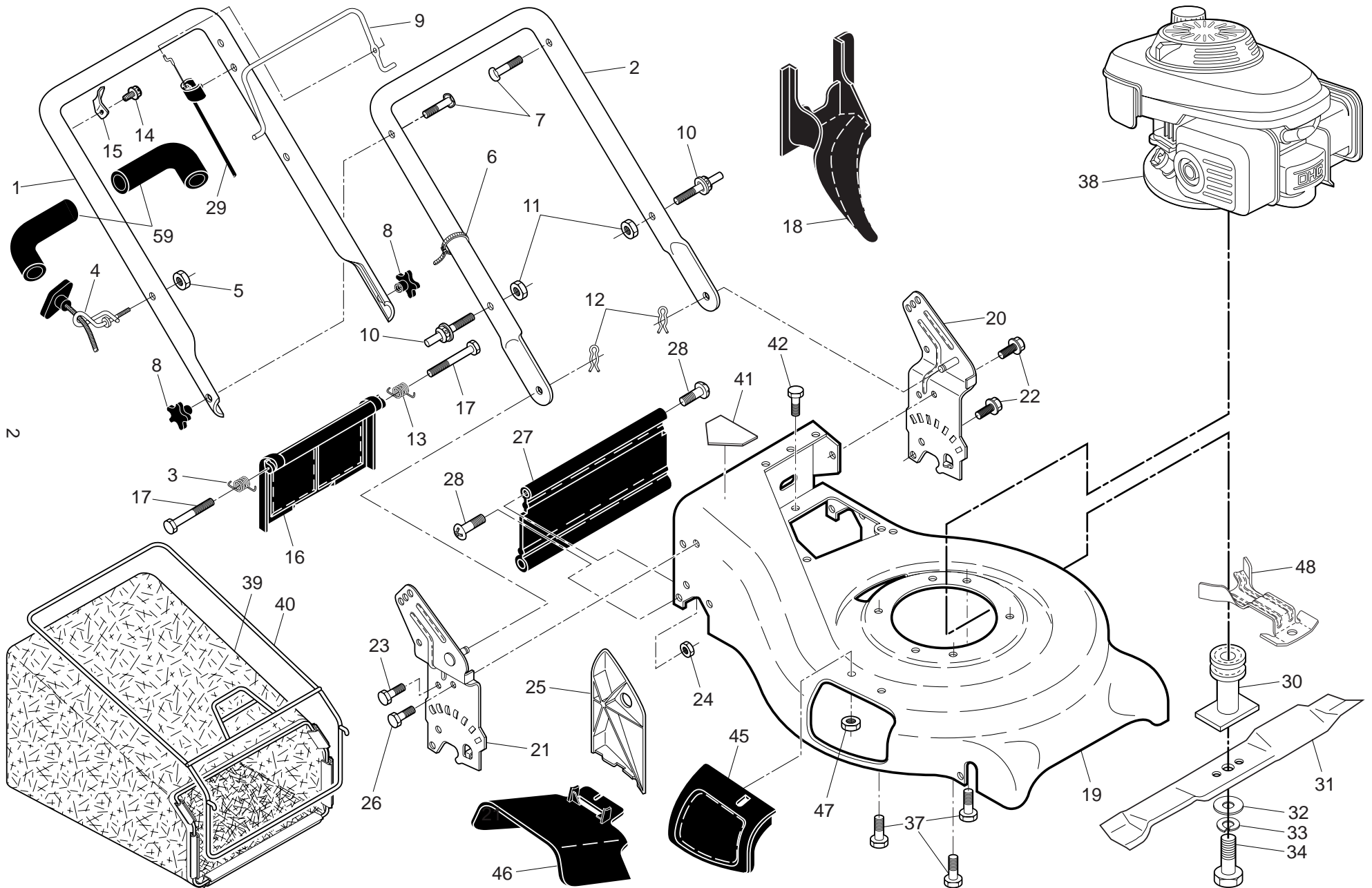


ROTARY LAWN MOWER - - MODEL NUMBER 7021R (96143006300) PRODUCT NUMBER 961 43 00-63

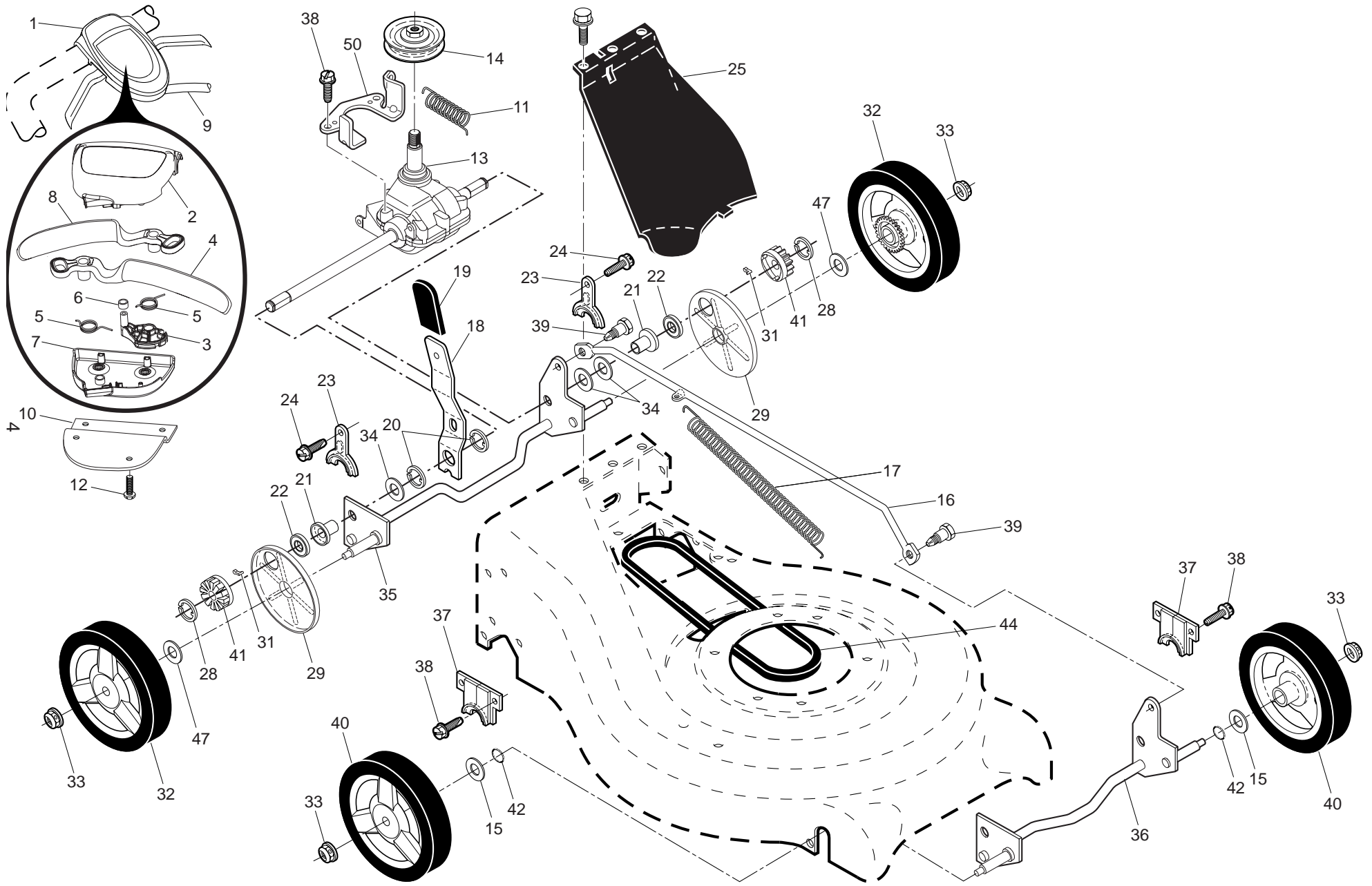


ROTARY LAWN MOWER - - MODEL NUMBER 7021R (96143006300) PRODUCT NUMBER 961 43 00-63

KEY NO.	PART NO.	DESCRIPTION	KEY NO.	PART NO.	DESCRIPTION
1	532 18 62-96	Handle, Upper (Includes Foam Grip)	25	532 16 13-33	Baffle, Side
2	532 19 72-02	Handle, Lower	26	532 16 34-09	Screw 12 x 5/8
3	532 40 54-16	Spring, Rear Door, RH	27	532 40 84-42	Skirt, Rear
4	532 19 47-88	Guide, Rope, Side	28	532 08 86-52	Screw, Hinge 1/4-20 x 1.25
5	532 13 20-04	Nut, Hex Lockwasher Insert 1/4-20	29	532 42 59-23	Engine Zone Control Cable
6	532 06 64-26	Wire, Tie	30	532 42 11-76	Blade Adapter / Pulley
7	532 19 15-74	Bolt, Handle 5/16-18 x 1.75	31	532 40 67-12	Blade, 21"
8	532 18 23-98	Knob, Handle	32	532 85 10-74	Washer, Hardened
9	532 42 68-12	Bail, Flat, Auto-Walk, Orange	33	532 85 02-63	Lockwasher, Helical Spring 3/8
10	532 18 88-21	Bolt, Carriage	34	532 85 10-84	Screw, Hex Head 3/8-24 x 1.38
11	532 75 11-53	Nut, Hex, Centerlock 5/16-18 UNC	37	532 15 04-06	Bolt, Engine
12	532 05 17-93	Cotter, Hairpin	38	- - -	Engine, Honda, Model Number GCV160-LAS3A (For engine service and replacement parts, call Honda at 1-800-426-7701)
13	532 40 54-15	Spring, Rear Door, LH	39	532 42 56-67	Grassbag
14	532 75 06-34	Screw	40	532 41 19-51	Frame, Grassbag
15	532 43 00-34	Bracket, Upstop	41	532 40 47-63	Danger Decal
16	532 40 88-88	Rear Door Assembly	42	817 06 04-10	Screw
17	532 18 41-93	Bolt, Rear Door	45	532 19 05-10	Mulcher Door Assembly
18	532 19 81-70	Plug, Mulcher	46	532 19 05-12	Deflector, Discharge
19	532 40 75-35	Kit, Housing	47	532 08 83-49	Nut, Hex
20	532 41 82-39	Handle Bracket Assembly, LH	48	532 42 90-01	Belt Keeper
21	532 41 82-51	Handle Bracket Assembly, RH	49	532 18 27-48	Grip, Handle, Foam
22	532 42 88-67	Screw, Hex Washer Head	--	532 43 10-24	Operator's Manual, English / French
23	532 16 31-83	Bolt, Hex Head 5/16-18 x 5/8			
24	873 80 05-00	Nut, Hex, with Lock Washer Insert 5/16-18			

NOTE: All component dimensions given in U.S. inches. 1 inch = 25.4 mm. **IMPORTANT:** Use only Original Equipment Manufacturer (O.E.M.) replacement parts. Failure to do so could be hazardous, damage your lawn mower and void your warranty.

ROTARY LAWN MOWER - - MODEL NUMBER 7021R (96143006300) PRODUCT NUMBER 961 43 00-63



ROTARY LAWN MOWER - - MODEL NUMBER 7021R (96143006300) PRODUCT NUMBER 961 43 00-63

KEY NO.	PART NO.	DESCRIPTION	KEY NO.	PART NO.	DESCRIPTION
1	532 43 10-01	Drive Control Assembly (Includes Cable)	22	532 19 10-39	Bearing, Ball
2	532 43 16-38	Cover, Top, Drive Control	23	532 16 45-55	Retainer, Drive Assembly, Stamped
3	532 43 22-86	Cam	24	817 06 04-10	Screw, Tapping, Hex Head 1/4-20 x 3/4
4	532 43 30-87	Lever, Drive Control, LH	25	532 43 56-72	Drive Cover Assembly (Includes Mounting Screw and Pushnut)
5	532 42 03-81	Spring, Drive Control	28	812 00 00-58	E-Ring 7/16
6	532 43 22-73	Bushing, Drive Control	29	532 18 94-03	Cover, Dust, Wheel
7	532 43 30-57	Cover, Bottom, Drive Control	31	532 40 48-45	Seal, Friction
8	532 43 29-77	Lever, Drive Control, RH	32	532 41 31-05	Wheel & Tire Assembly, Rear
9	532 43 16-55	Cable, Drive Control	33	532 40 91-48	Nut, Hex, Flangelock 3/8-16
10	532 43 27-90	Mounting Bracket, Drive Control	34	532 85 12-26	Washer
11	532 40 65-58	Spring, Return	35	532 41 09-22	Shaft Assembly, Rear
12	532 18 16-98	Screw, Phillips Head #10 x 5/8	36	532 41 09-33	Shaft Assembly, Front
13	532 41 92-13	Gear Case Assembly (See Breakdown)	37	532 16 14-63	Retainer, Front Shaft
14	532 19 34-43	Pulley, Drive	38	532 16 34-09	Screw #12 x 5/8
15	532 08 83-48	Washer, Flat	39	532 40 70-59	Bolt, Shoulder, Semi-Gimlet Point
16	532 40 71-47	Rod, Connecting	40	532 41 08-31	Wheel & Tire Assembly, Front 8 x 1-3/4
17	532 40 96-16	Spring, Extension	41	532 40 48-35	Pinion
18	532 41 88-66	Spring Selector	42	532 19 74-80	O-Ring
19	532 19 00-69	Knob, Selector Spring	44	532 40 65-80	V-Belt
20	812 00 00-22	E-Ring	47	532 06 77-25	Washer 1/2 x 1-1/2 x .134
21	532 41 24-50	Bearing, Support	50	532 41 31-04	Belt Keeper

NOTE: All component dimensions given in U.S. inches. 1 inch = 25.4 mm. **IMPORTANT:** Use only Original Equipment Manufacturer (O.E.M.) replacement parts. Failure to do so could be hazardous, damage your lawn mower and void your warranty.