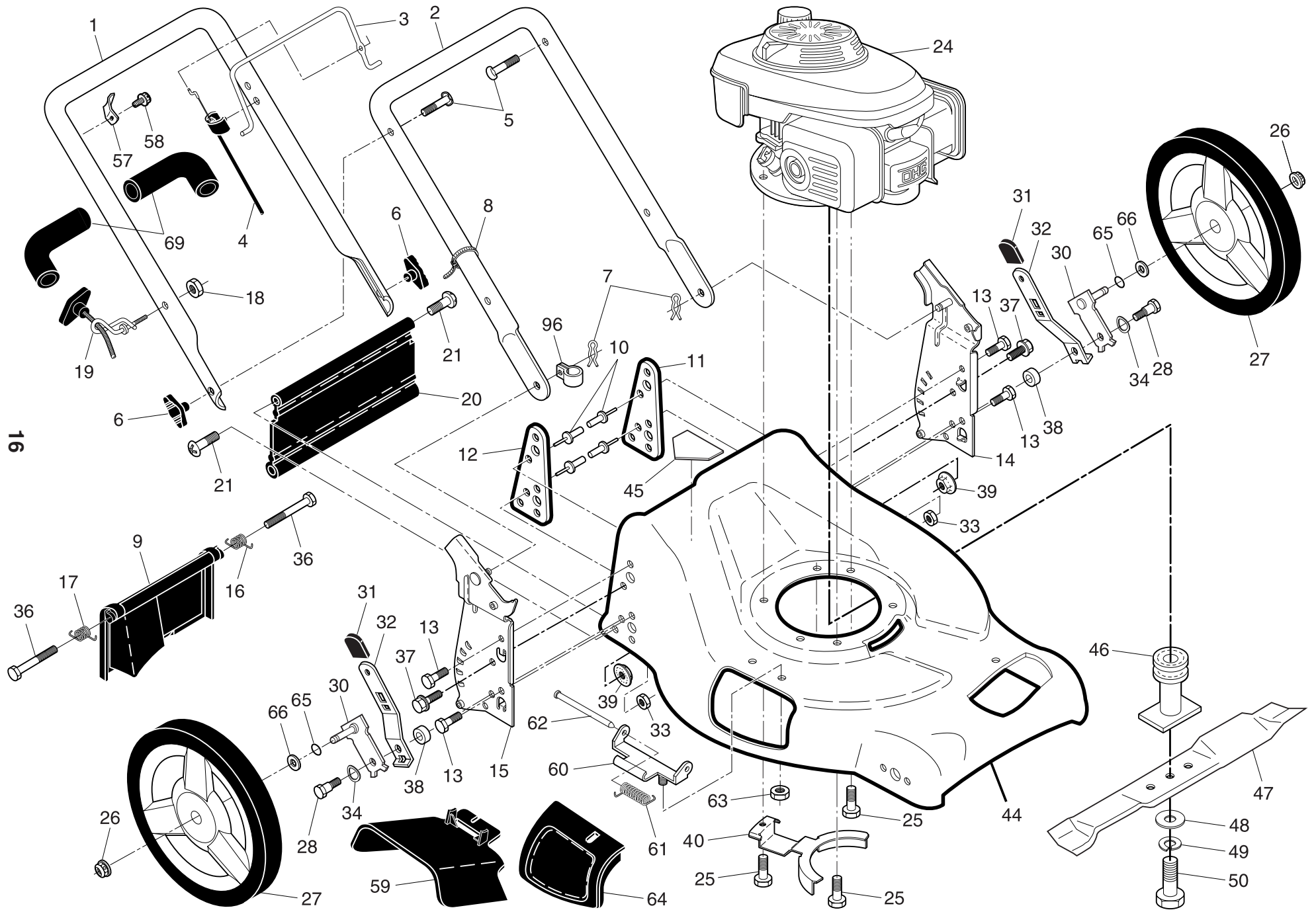


ROTARY LAWN MOWER - - MODEL NUMBER 7021F (96143004200) - PRODUCT NUMBER 961 43 00-42



ROTARY LAWN MOWER - - MODEL NUMBER 7021F (96143004200) - PRODUCT NUMBER 961 43 00-42

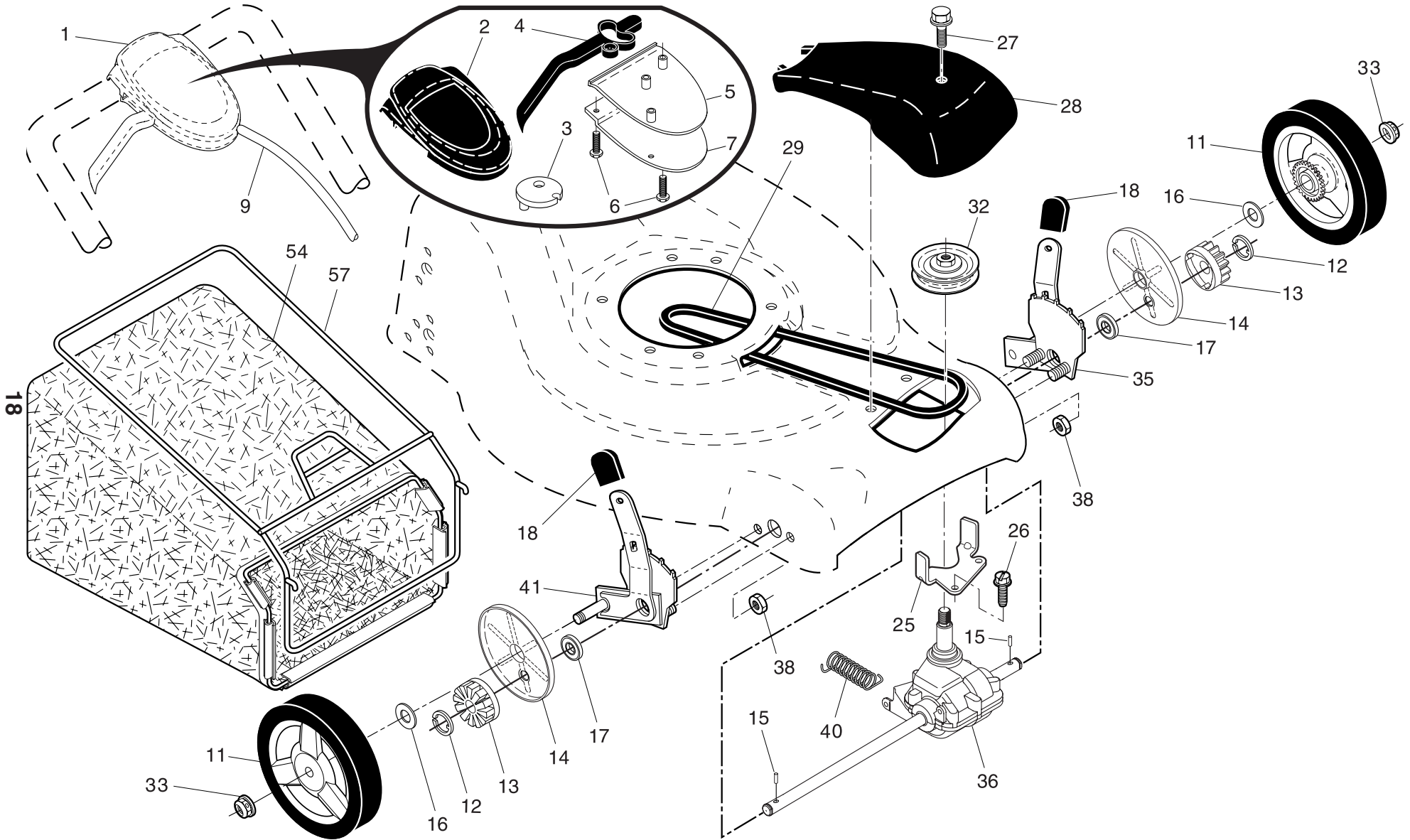
17

KEY NO.	PART NO.	DESCRIPTION	KEY NO.	PART NO.	DESCRIPTION
1	532 18 62-96	Upper Handle (Includes Foam Grip)	32	532 40 98-89	Selector Spring
2	532 15 34-18	Lower Handle	33	873 80 05-00	Nut, Hex 5/16-18
3	532 18 62-98	Control Bar	34	532 40 16-30	Washer, Curved, Cyindrical
4	532 41 53-50	Engine Zone Control Cable	36	532 18 41-93	Bolt
5	532 19 15-74	Handle Bolt	37	874 78 05-12	Thread Cutting Screw w/Sems 5/16-18 x 3/4
6	532 19 19-38	Handle Knob	38	532 40 16-29	Spacer
7	532 05 17-93	Hairpin Cotter	39	532 15 53-77	Nut, Hex, Flangelock 5/16-18
8	532 06 64-26	Wire Tie	40	532 42 04-74	Belt Retainer
9	532 40 69-85	Rear Door Assembly	44	532 40 89-89	Kit, Lawn Mower Housing (Includes Key Numbers 10, 11, 12 and 45)
10	532 12 84-15	Pop Rivet	45	532 40 47-63	Danger Decal
11	532 41 05-40	Support Bracket, LH	46	532 19 40-37	Blade Adapter / Pulley
12	532 41 05-42	Support Bracket, RH	47	532 40 67-12	Blade, 21"
13	817 06 04-10	Screw 1/4-20 x 5/8	48	532 85 10-74	Hardened Washer
14	532 41 78-12	Handle Bracket Assembly, LH	49	532 85 02-63	Helical Washer
15	532 41 78-11	Handle Bracket Assembly, RH	50	532 85 10-84	Hex Head Machine Screw 3/8-24 x 1-3/8 Grade 8
16	532 40 54-17	Spring, Rear Door, LH	57	532 12 52-03	Upstop Bracket
17	532 40 54-18	Spring, Rear Door, RH	58	532 75 06-34	Screw
18	532 13 20-04	Keps Locknut 1/4-20	59	532 18 55-82	Discharge Deflector
19	532 19 47-88	Rope Guide	60	532 17 57-35	Hinge Bracket
20	532 41 31-59	Rear Skirt	61	532 19 30-00	Spring
21	532 08 86-52	Screw, Hinge 1/4-20 x 1/2	62	532 17 56-50	Hinge Rod
24	- - -	Engine, Honda, Model Number GCV160-LAS3A (For engine service and replacement parts, call Honda Engines at 1-800-426-7701)	63	873 80 04-00	Nut, Hex
25	532 15 04-06	Hex Head Thread Rolling Screw 3/8-16 x 1-1/8	64	532 18 55-76	Mulcher Door
26	532 40 91-49	Hex Flange Nut	65	532 19 74-80	O-Ring
27	532 41 08-15	Wheel & Tire Assembly, Rear, 12"	66	532 08 83-48	Washer, Flat 1/2
28	532 40 16-38	Shoulder Bolt 5/16-18 x .33	69	532 18 27-48	Grip, Foam
30	532 41 31-41	Axle Arm Assembly, Rear	96	532 19 79-91	Clip, Cable
31	532 70 10-37	Selector Knob	- -	532 40 47-64	Decal, Warning (not shown)

NOTE: All component dimensions given in U.S. inches. 1 inch = 25.4 mm

IMPORTANT: Use only Original Equipment Manufacturer (O.E.M.) replacement parts. Failure to do so could be hazardous, damage your lawn mower and void your warranty.

ROTARY LAWN MOWER - - MODEL NUMBER 7021F (96143004200) - PRODUCT NUMBER 961 43 00-42



ROTARY LAWN MOWER - - MODEL NUMBER 7021F (96143004200) - PRODUCT NUMBER 961 43 00-42

19

KEY NO.	PART NO.	DESCRIPTION
1	532 41 90-20	Drive Control Assembly
2	532 41 16-73	Cover, Drive Control, Upper
3	532 40 62-62	Pulley
4	532 19 00-37	Lever, Drive Control
5	532 41 16-64	Cover, Drive Control, Lower
6	532 18 16-98	Screw
7	532 40 07-23	Mounting Bracket, Drive Control
9	532 40 62-59	Cable, Drive
11	532 41 10-81	Wheel & Tire Assembly
12	812 00 00-58	E-Ring
13	532 40 38-49	Pinion
14	532 18 94-03	Dust Cover
15	532 40 48-45	Pawl, Drive
16	532 06 77-25	Washer 1/2 x 1-1/2 x .134
17	532 19 10-39	Bearing, Wheel Adjuster
18	532 70 10-37	Selector Knob

KEY NO.	PART NO.	DESCRIPTION
25	532 41 16-63	Belt Keeper
26	532 16 34-09	Screw, Hi-Lo Thread
27	532 17 52-62	Pan Head Tapping Screw #10-24 x 2-3/4
28	532 18 55-79	Drive Cover
29	532 19 41-49	V-Belt
32	532 19 40-18	Drive Pulley
33	532 40 91-48	Locknut, Hex
35	532 40 88-62	Kit, Wheel Adjuster, LH (Includes Knob and Bearing)
36	532 40 48-33	Gearcase Assembly, Complete
38	873 80 04-00	Locknut, Hex 1/4-20
40	532 40 65-58	Spring
41	532 40 88-61	Kit, Wheel Adjuster, RH (Includes Knob and Bearing)
54	532 42 57-32	Grassbag Assembly
57	532 41 19-50	Frame, Grassbag

NOTE: All component dimensions given in U.S. inches. 1 inch = 25.4 mm

IMPORTANT: Use only Original Equipment Manufacturer (O.E.M.) replacement parts. Failure to do so could be hazardous, damage your lawn mower and void your warranty.