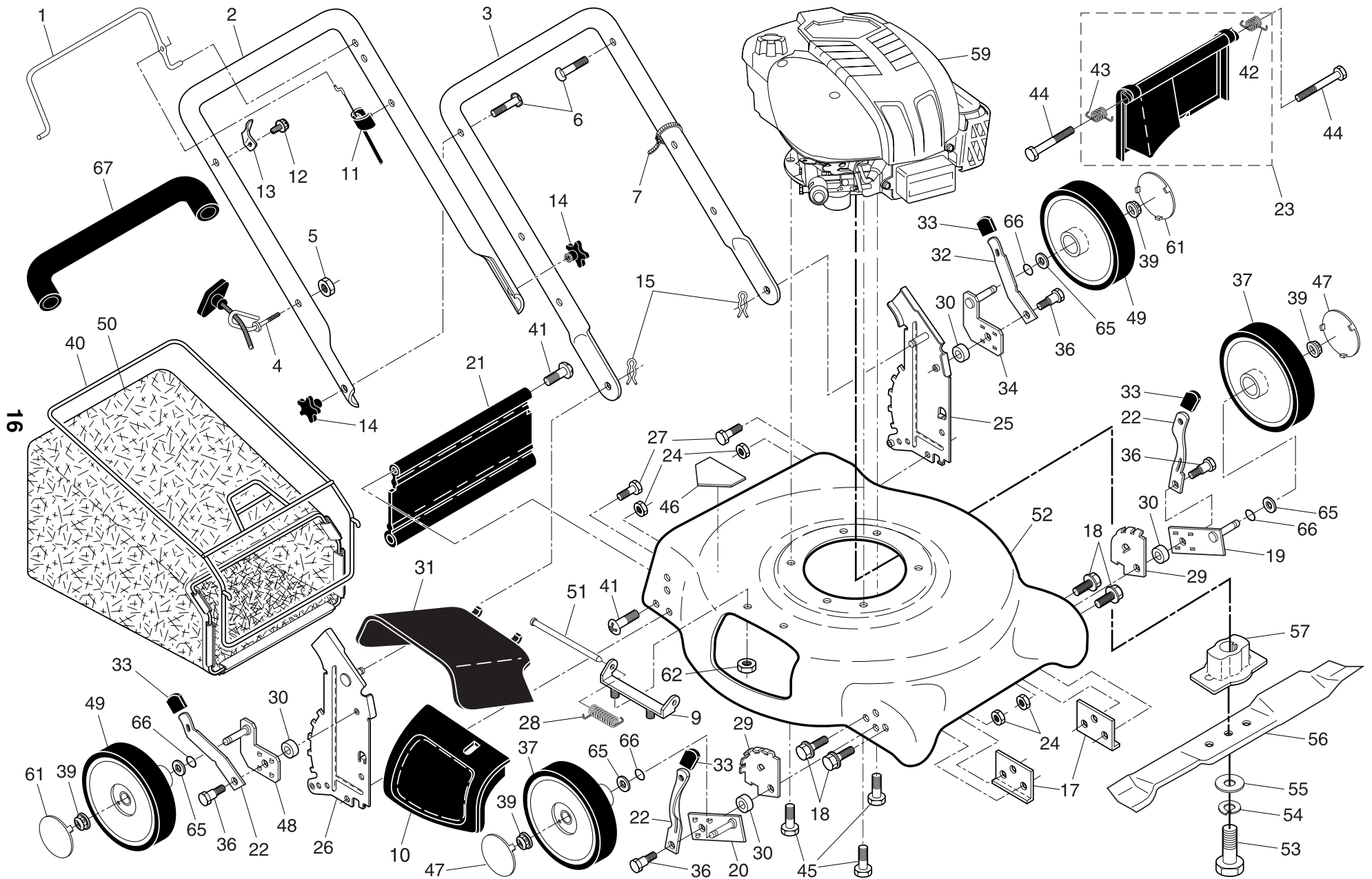


ROTARY LAWN MOWER - - MODEL NUMBER 7021CM (96133000100) - PRODUCT NUMBER 961 33 00-01



ROTARY LAWN MOWER - - MODEL NUMBER 7021CM (96133000100) - PRODUCT NUMBER 961 33 00-01

KEY NO.	PART NO.	DESCRIPTION	KEY NO.	PART NO.	DESCRIPTION
1	532 17 65-55	Control Bar	40	532 18 88-13	Frame, Grassbag
2	532 17 36-58	Upper Handle (Includes Foam Grip)	41	532 08 86-52	Hinge Screw
3	532 17 41-10	Lower Handle	42	532 16 57-66	Spring, Rear Door, LH
4	532 17 95-85	Rope Guide	43	532 16 57-67	Spring, Rear Door, RH
5	532 13 20-04	Nut, Hex 1/4-20	44	532 18 41-93	Door Bolt
6	532 19 15-74	Handle Bolt	45	532 15 04-06	Hex Head Thread Rolling Screw 3/8-16 x 1
7	532 06 64-26	Wire Tie	46	532 10 73-39	Danger Decal
9	532 15 41-32	Bracket, Housing	47	532 18 06-26	Hubcap, Front Wheel
10	532 18 55-89	Mulcher Door	48	532 18 57-17	Axle Arm Assembly, Rear, RH
11	532 17 65-56	Engine Zone Control Cable	49	532 18 01-83	Wheel Assembly, Rear
12	532 75 06-34	Hex Washer Head Screw	50	532 18 97-88	Grassbag
13	532 12 52-03	Up-Stop Bracket	51	532 14 72-86	Hinge Rod
14	532 18 55-88	Handle Knob	52	532 16 36-62	Kit, Lawn Mower Housing (Includes Key Numbers 17, 18 and 46)
15	532 05 17-93	Hairpin Cotter	53	532 85 10-84	Hex Head Screw 3/8-24 x 1-3/8 Grade 8
17	532 17 41-12	Support Bracket	54	532 85 02-63	Helical Lockwasher
18	817 60 04-06	Screw	55	532 85 10-74	Hardened Washer
19	532 18 92-78	Axle Arm Assembly, Front, LH	56	532 18 90-28	21" Blade
20	532 18 92-77	Axle Arm Assembly, Front, RH	57	532 18 45-90	Blade Adapter
21	532 18 89-87	Rear Skirt	59	---	Engine, Briggs & Stratton, Model Number 12H602 (For engine service and replacement parts, call Briggs & Stratton at 1-800-233-3723)
22	532 16 85-99	Selector Spring, Front	61	532 18 01-23	Hubcap, Rear Wheel
23	532 18 66-12	Rear Door Kit (Includes Springs)	62	873 80 04-00	Locknut, Hex 1/4-20
24	873 93 05-00	Locknut, Hex 5/16-18	65	532 08 83-48	Washer, Flat 3/8
25	532 17 41-05	Handle Bracket Assembly, LH	66	532 18 81-52	O-Ring
26	532 17 41-06	Handle Bracket Assembly, RH	67	532 16 42-65	Grip, Foam
27	532 85 18-56	Screw 1/4-20 x 3/8	--	532 16 23-00	Warning Decal (not shown)
28	532 15 21-24	Hinge Spring	--	532 19 39-64	Owner's Manual, English / French
29	532 16 57-04	Wheel Adjusting Bracket, Front			
30	532 18 39-01	Spacer			
31	532 18 55-95	Clip-on Discharge Guard			
32	532 18 57-16	Selector Spring, Rear			
33	532 18 55-74	Selector Knob			
34	532 18 57-18	Axle Arm Assembly, Rear, LH			
36	532 16 08-28	Shoulder Bolt 5/16-18			
37	532 18 05-41	Wheel Assembly, Front			
39	532 08 39-23	Flanged Locknut			

NOTE: All component dimensions given in U.S. inches. 1 inch = 25.4 mm

IMPORTANT: Use only Original Equipment Manufacturer (O.E.M.) replacement parts. Failure to do so could be hazardous, damage your unit and void your warranty.