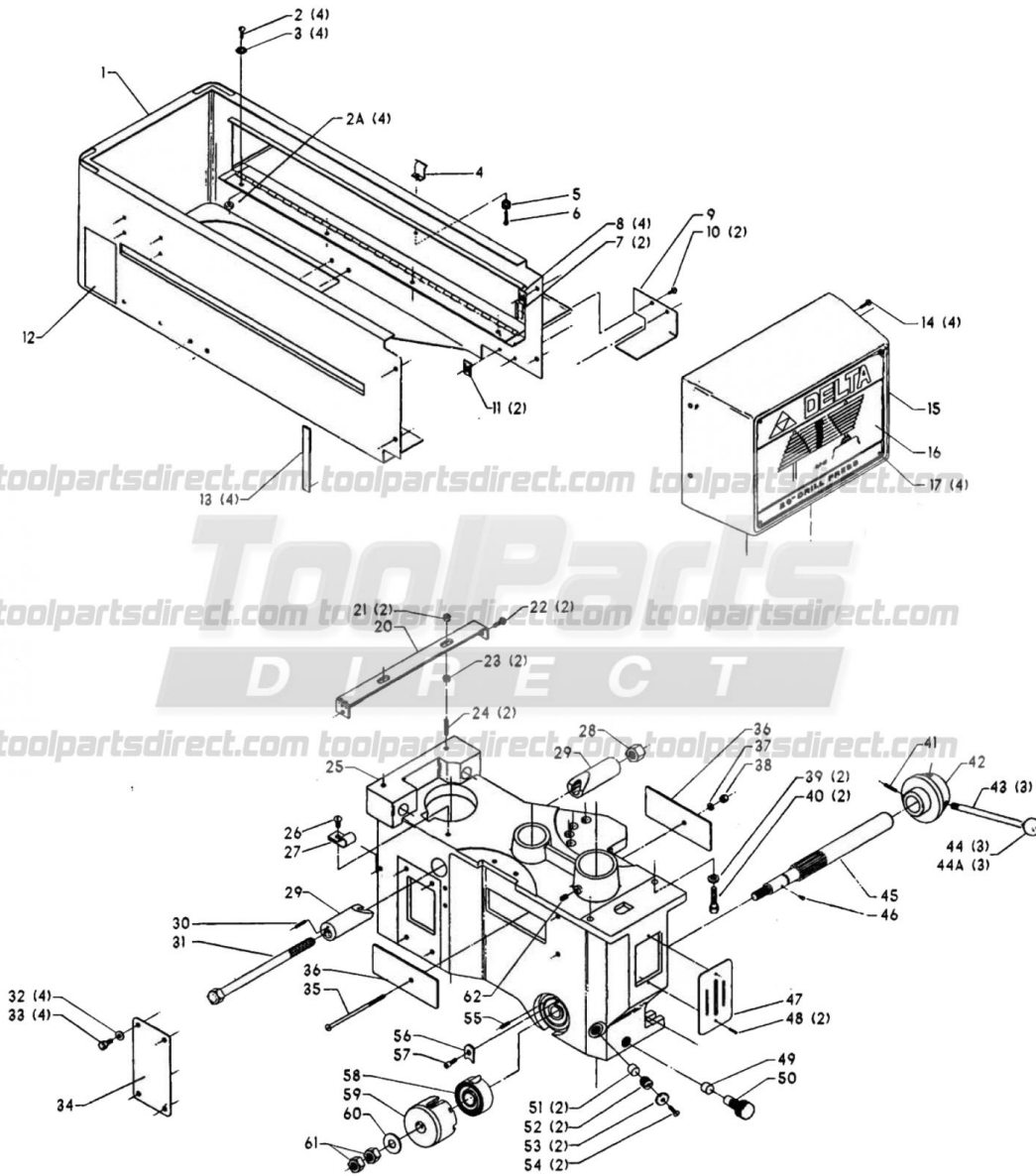


## Delta Series 2000 Drilling Machines (2:1 & 3:1, Reduction Drive, Step Pulley, 8 Speeds)

Part #: 70-264





7820 L St., Omaha, NE 68127

Toll-Free: 888.358.0332

Fax: 402.408.2352

Email: sales@toolbarn.com

Web: www.toolbarn.com

## Delta Series 2000 Drilling Machines (2:1 & 3:1, Reduction Drive, Step Pulley, 8 Speeds)

Part #: 70-264

Ref	Model	Product Name	Qty
1	1200324	REAR GUARD	0
2A	904-03-020-1775	WASHER	0
2	901-02-010-0593	MACHINE SCREW	0
3	902-01-120-1216	HEX NUT	0
4	961-04-012-0520	CATCH	0
5	402-06-027-5001	KNOB	0
6	901-02-010-0541	RD HD SCREW	0
7	402-04-016-5001	BUMPER	0
8	902-03-050-2974	SPEED NUT	0
9	402-06-031-5004	JACKSHAFT SHIELD	0
10	0907034	SCREW	0
12	402-00-752-0001	WARNING LABEL	0
13	402-07-104-5004	FOAM SPACER *** Obsolete, No Replacement ***	0
14	901-05-193-1196	SCREW	0
15	402-06-054-5002	CANNOT FURNISH	0
16	402-06-037-0001	DIAL PLATE 3:1 RATIO	0
16	402-06-037-0002	DIAL PLATE 2:1 RATIO	0
17	901-06-450-2250	DRIVE SCREW	0
20	402-06-014-5008	MOUNTING BRACKET	0
21	902-01-010-1300	HEX NUT	0
22	906485S	SCREW (Replaces: 0906485)	0
23	906482S	SPEED NUT (Replaces: 0906482)	0
24	901-04-150-1107	SET SCREW	0
25	402-06-057-5001	HEAD	0
26	901-02-010-0512	MACHINE SCREW	0



7820 L St., Omaha, NE 68127

Toll-Free: 888.358.0332

Fax: 402.408.2352

Email: sales@toolbarn.com

Web: www.toolbarn.com

Ref	Model	Product Name	Qty
27	429-01-004-0004	CABLE CLAMP	0
28	902-01-010-5446	HEX NUT	0
29	1200228	COLUMN CLAMP	0
30	905-01-010-2718	ROLL PIN	0
31	901-01-061-9534	BOLT	0
32	904-01-010-1620	WASHER	0
33	901-01-060-0605	CAP SCREW	0
34	401-04-031-5005	COVER PLATE	0
35	901-02-010-0912	MACHINE SCREW	0
36	402-07-072-5001	CANNOT FURNISH	0
37	904-02-020-2093	WASHER	0
38	489026-00	HEX NUT (Replaces: 902-01-120-1034)	0
39	904-02-020-1704	LOCK WASHER	0
40	901-01-060-0648	CAP SCREW	0
41	905-01-010-6745	ROLL PIN	0
42	402-06-107-5002	HUB	0
43	1202620	ROD ASSEMBLY *** Obsolete, No Replacement ***	0
44	1201641	KNOB - SLIP ON *** Obsolete, No Replacement ***	0
44A	931-01-011-4796	KNOB - SCREW ON	0
45	402-07-106-5026	PINION SHAFT	0
46	952-01-121-3274	SPRING PIN	0
47	402-04-031-0001	SWITCH OPENING COVER (Replaces: 402-04-031-5002)	0
48	901-02-050-5634	FILL HD SCREW (Replaces: 901-02-010-0553)	0
49	905-04-071-4485	PLUG	0
50	1200227	QUILL LOCK	0



7820 L St., Omaha, NE 68127

Toll-Free: 888.358.0332

Fax: 402.408.2352

Email: sales@toolbarn.com

Web: www.toolbarn.com

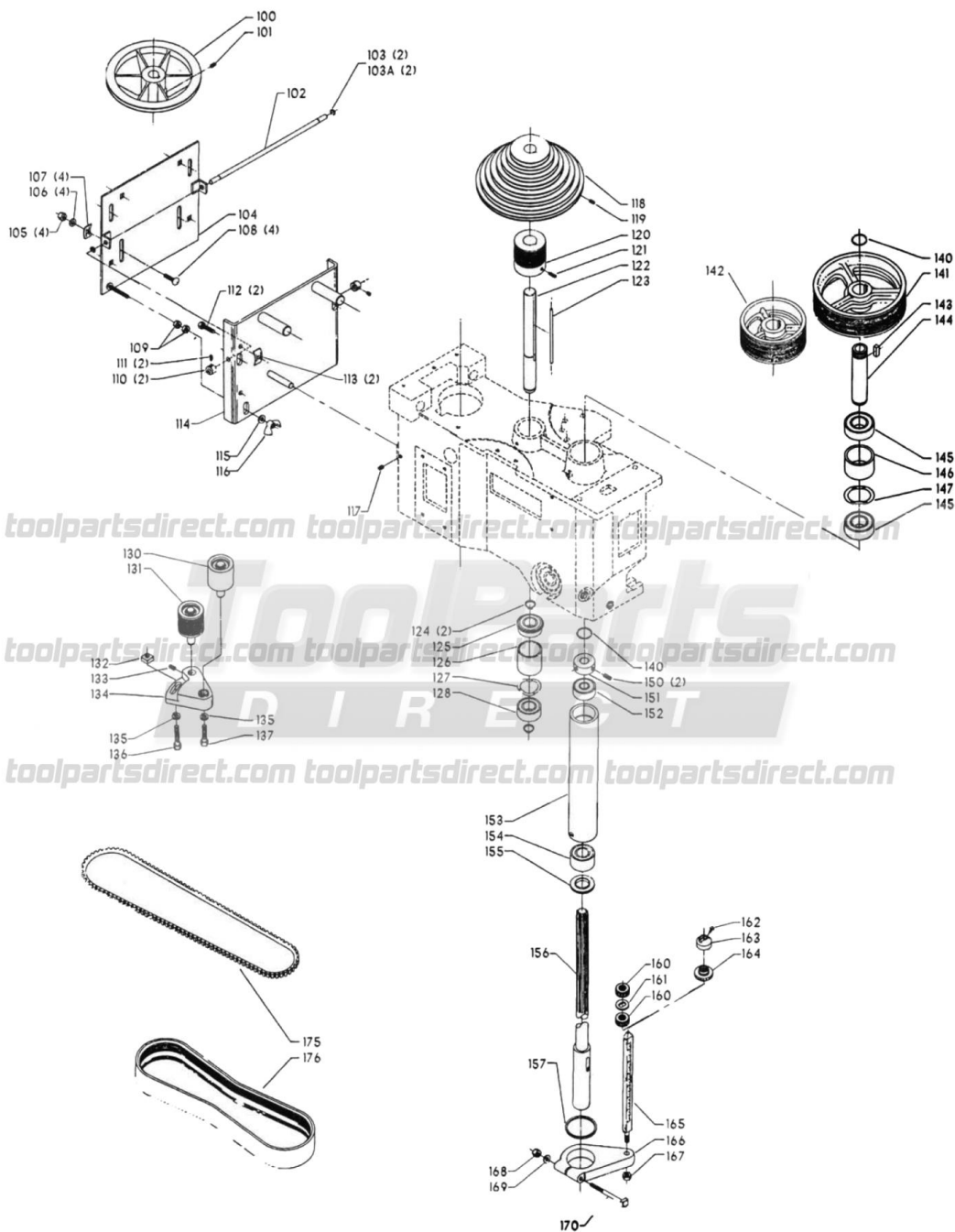
Delta Series 2000 Drilling Machines (2:1 & 3:1, Reduction Drive, Step Pulley, 8 Speeds)

Part #: 70-264

Ref	Model	Product Name	Qty
52	901-09-081-5210	QUILL ADJUSTNG SCREW	0
53	402-06-104-5001	SPECIAL WASHER	0
54	901-02-010-0503	MACHINE SCREW	0
55	905-01-010-6715	ROLL PIN	0
56	401-02-079-5001	PINION RETAINER	0
57	901-03-040-8015	CAP SCREW	0
58	928-08-012-1766	RETURN SPRING *** Obsolete, No Replacement ***	0
59	401-04-031-5001	OBSOLETE-NO REPLACEMENT	0
60	904-01-010-1622	STEEL WASHER	0
61	902-01-020-1226	NUT	0
62	901-04-150-0231	SET SCREW	0

## Delta Series 2000 Drilling Machines (2:1 & 3:1, Reduction Drive, Step Pulley, 8 Speeds)

Part #: 70-264





7820 L St., Omaha, NE 68127

Toll-Free: 888.358.0332

Fax: 402.408.2352

Email: sales@toolbarn.com

Web: www.toolbarn.com

**Delta Series 2000 Drilling Machines (2:1 & 3:1, Reduction Drive, Step Pulley, 8 Speeds)**

Part #: 70-264

Ref	Model	Product Name	Qty
100	1200229	MOTOR PULLEY	0
101	901-04-150-1185	SET SCREW	0
102	402-07-106-5006	SHAFT	0
103	904-15-013-1024	RET RING	0
103A	904-15-011-7105	RING	0
104	1200355	MOTOR PLATE	0
107	902-03-000-2951	SPEED NUT	0
108	901-11-020-0808	CARRIAGE BOLT	0
109	902-01-020-5435	JAM NUT	0
110	426-03-388-0001	SET COLLAR ASSY	0
111	491950-00	SET SCREW *** Obsolete, No Replacement *** (Replaces: 901-04-150-0208)	0
112	901-01-060-0649	CAP SCREW	0
114	1200035	MOTOR PLATE ASSY	0
116	902-04-010-1403	WING NUT	0
117	901-04-150-0206	SET SCREW	0
118	1200230	JACKSHAFT PULLEY *** Obsolete, No Replacement ***	0
120	1200279	PULLEY	0
121	901-04-150-0202	SET SCREW	0
122	1200278	JACKSHAFT *** Obsolete, No Replacement ***	0
123	1200234	ROD	0
124	904-15-010-7025	RING *** Obsolete, No Replacement ***	0
125	920-04-021-5116	BEARING *** Obsolete, No Replacement ***	0
126	1200246	SPACER *** Obsolete, No Replacement ***	0
127	928-06-010-7352	SPRING WASHER	0
128	920-04-020-5360	BEARING	0



7820 L St., Omaha, NE 68127

Toll-Free: 888.358.0332

Fax: 402.408.2352

Email: sales@toolbarn.com

Web: www.toolbarn.com

Ref	Model	Product Name	Qty
130	1200215	FIXED PULLEY ASSY	0
131	1200216	ADJ PULLEY ASSY	0
132	903893S	NUT (Replaces: 0903893)	0
134	402-06-072-5006	IDLER MOUNTING PLATE	0
136	901-01-060-0617	CAP SCREW	0
140	906467	RING (Replaces: 0906467)	0
141	402-06-130-5008	SPINDLE PULLEY 3:1	0
142	402-06-130-5013	SPINDLE PULLEY 2:1	0
143	927-03-010-2688	KEY	0
144	1200236	SHAFT	0
145	920-04-021-6559	BEARING	0
146	1200204	SPACER	0
147	0906484	WAVE WASHER	0
150	901-04-150-0217	SET SCREW	0
151	904-10-181-2409	COLLAR	0
152	920-04-020-5348	BEARING	0
153	402-06-077-5001	QUILL	0
154	920-07-080-5334	BEARING	0
155	401-04-036-5001	FLINGER COLLAR	0
156	1200302	SPINDLE	0
157	904-07-061-2942	CUSHION RING	0
160	402-12-068-5001	KNURLED NUT	0
161	904-01-103-1317	SPEC WASHER	0
162	901-04-260-1534	THUMB SCREW	0
163	402040885005	USE ***** (Replaces: 402-04-012-5001)	0



7820 L St., Omaha, NE 68127

Toll-Free: 888.358.0332

Fax: 402.408.2352

Email: sales@toolbarn.com

Web: www.toolbarn.com

---

## Delta Series 2000 Drilling Machines (2:1 & 3:1, Reduction Drive, Step Pulley, 8 Speeds)

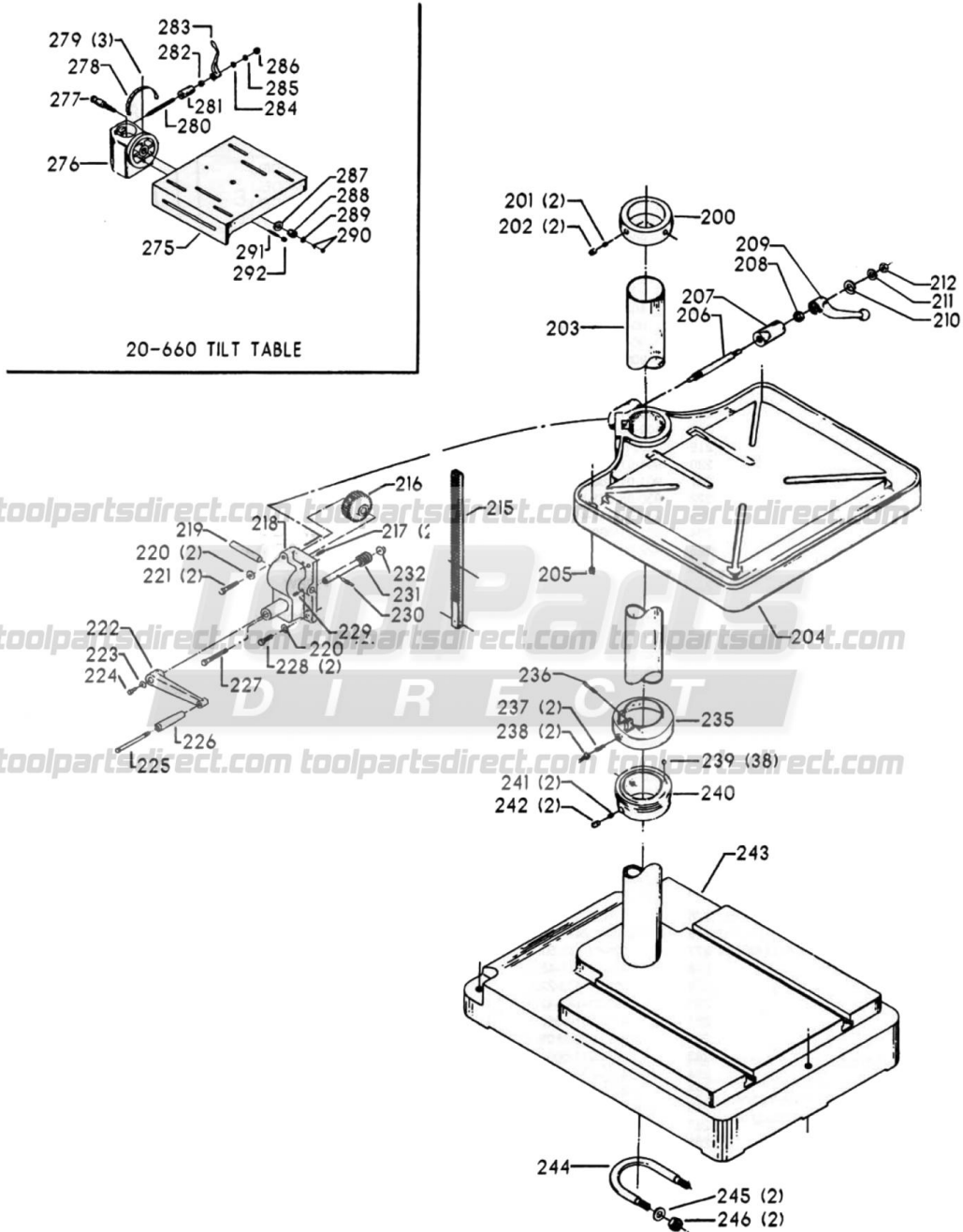
Part #: 70-264

Ref	Model	Product Name	Qty
164	402-04-088-5005	Micro Stop	0
165	402-07-108-5004	ROD	0
166	402-06-014-5009	BRACKET *** Obsolete, No Replacement ***	0
167	902-01-010-5900	HEX NUT *** Obsolete, No Replacement *** (Replaces: 902-01-020-5433)	0
170	401-04-112-5001	SPECIAL BOLT	0
175	1200232	BELT *** Obsolete, No Replacement ***	0
176	1200218	BELT *** Obsolete, No Replacement ***	0



## Delta Series 2000 Drilling Machines (2:1 & 3:1, Reduction Drive, Step Pulley, 8 Speeds)

Part #: 70-264





7820 L St., Omaha, NE 68127

Toll-Free: 888.358.0332

Fax: 402.408.2352

Email: sales@toolbarn.com

Web: www.toolbarn.com

## Delta Series 2000 Drilling Machines (2:1 & 3:1, Reduction Drive, Step Pulley, 8 Speeds)

Part #: 70-264

Ref	Model	Product Name	Qty
200	401-04-089-5001	STOP COLLAR	0
201	905-04-071-4480	LOCK PLUG	0
202	901-04-190-6228	SET SCREW	0
203	20-627	3-3/4 X 66 IN COLUMN	0
203	20-625	n/a	0
203	20-628	n/a	0
203	20-626	n/a	0
204	20-650	n/a	0
205	906-00-000-2440	PIPE PLUG	0
206	952-01-141-3285	STUD	0
207	904-10-131-5359	LOCKING PLUG	0
208	902-01-210-1084	5/8FLEXLCKNUT	0
209	402-07-027-5002	LOCK LEVER	0
210	904-02-010-1713	LOCK WASHER	0
211	904-01-031-5651	WASHER	0
212	852573	NUT (Replaces: 902-01-020-9103)	0
215	1202149	GEAR RACK	0
216	1202148	GEAR	0
217	905-01-010-5075	ROLL PIN	0
218	402-06-013-5002	GEAR BOX	0
219	1202150	SHAFT	0
221	901-01-060-0609	CAP SCREW	0
222	930-05-071-5918	CRANK	0
223	904-01-031-7712	WASHER (Replaces: 904-01-031-4993)	0
224	901-01-060-0651	CAP SCREW	0



7820 L St., Omaha, NE 68127

Toll-Free: 888.358.0332

Fax: 402.408.2352

Email: sales@toolbarn.com

Web: www.toolbarn.com

Ref	Model	Product Name	Qty
225	422-04-071-5002	PIN	0
226	1086395S	HANDLE (Replaces: 1086395)	0
227	901-01-060-5770	CAP SCREW	0
229	901-04-150-0205	SET SCREW	0
230	905-02-050-6862	GROOVE PIN	0
231	1202147	WORM GEAR	0
232	120251	SEALING RING	0
235	401-04-089-5002	SUPPORT	0
236	905-01-010-2730	ROLL PIN	0
237	901-04-380-4562	GUIDE SCREW	0
239	921-01-010-0031	STEEL BALL	0
240	401-04-089-5003	SUPPORT	0
243	401-04-005-5002	BASE	0
244	401-04-027-5001	U-BOLT	0
245	904-01-032-2476	WASHER	0
246	902-01-010-1282	HEX JAM NUT	0
275	401-04-091-5007	TILT TABLE	0
276	401-04-314-5005	BRACKET ASSY	0
277	401-04-111-5001	STUD	0
278	951-02-011-4326	TILT SCALE	0
287	904-01-031-5654	FLAT WASHER	0
288	902-01-201-2594	HEX NUT	0
289	904-01-031-2901	WASHER	0
291	401-04-071-5003	LOCKING PIN	0
292	902-01-010-1232	HEX NUT	0



7820 L St., Omaha, NE 68127

Toll-Free: 888.358.0332

Fax: 402.408.2352

Email: sales@toolbarn.com

Web: www.toolbarn.com

---

Delta Series 2000 Drilling Machines (2:1 & 3:1, Reduction Drive, Step Pulley, 8 Speeds)  
Part #: 70-264

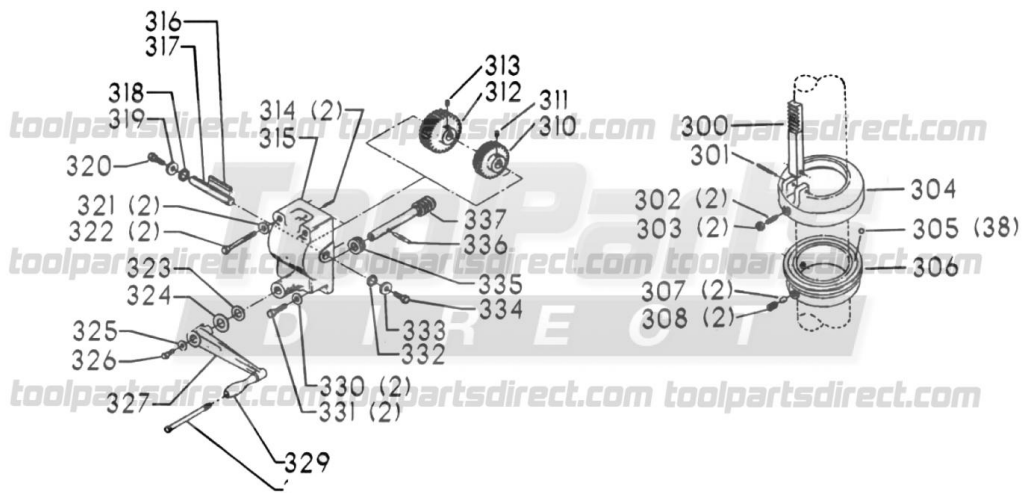
---

Ref	Model	Product Name	Qty
-----	-------	--------------	-----

---

## Delta Series 2000 Drilling Machines (2:1 & 3:1, Reduction Drive, Step Pulley, 8 Speeds)

Part #: 70-264





7820 L St., Omaha, NE 68127

Toll-Free: 888.358.0332

Fax: 402.408.2352

Email: sales@toolbarn.com

Web: www.toolbarn.com

## Delta Series 2000 Drilling Machines (2:1 & 3:1, Reduction Drive, Step Pulley, 8 Speeds)

Part #: 70-264

Ref	Model	Product Name	Qty
300	402-06-051-5005	RACK	0
310	401-04-351-5002	GEAR ASSY	0
312	401-04-351-5003	GEAR ASSY	0
314	905-02-010-5030	GROOVE PIN	0
315	402-06-013-5001	HOUSING	0
317	401-04-106-5007	GEAR SHAFT	0
318	904-07-071-4230	WASHER	0
319	904-10-031-5381	WASHER	0
320	901-01-060-0663	CAP SCREW	0
323	904-07-071-4214	WASHER	0
327	439-01-067-5002	CANNOT FURNISH	0
335	920-52-010-5324	CANNOT FURNISH (Replaces: 920-52-010-7291)	0
337	401-04-051-5002	WORM GEAR	0



7820 L St., Omaha, NE 68127

Toll-Free: 888.358.0332

Fax: 402.408.2352

Email: sales@toolbarn.com

Web: www.toolbarn.com

**Delta Series 2000 Drilling Machines (2:1 & 3:1, Reduction Drive, Step Pulley, 8 Speeds)**

Part #: 70-264

Ref	Model	Product Name	Qty
	20-660	SER 2000 TILT TA	0
	1200223	STOP ASSY	0
	1200275	PULLEY ASSY 3:1	0
	426-07-014-5002	CANNOT FURNISH *JW	0
	1200276	PULLEY ASSY 2:1	0
	1200284	QUILL ASSY	0