



Operating Instructions and Parts Manual Variable Speed Turret Mill

Models JTM-1254VS and JTM-1254RVS



JTM-1254VS shown

JET
427 New Sanford Road
LaVergne, Tennessee 37086
Ph.: 800-274-6848
www.jettools.com

Part No. M-690025
Edition 4 10/2018
Copyright © 2017 JET

12.1.2 JTM-1254VS Upper Head Assembly – Parts List

| Index No | Part No | Description | Size | Qty |
|----------|----------------|---|------------|-----|
| 1 | JTM1254VS-A01 | Upper Pulley Housing | | 1 |
| 2 | JTM1254VS-A02 | Motor Disc - Upper | | 1 |
| 3 | TS-1523011 | Set Screw | M6x6L | 4 |
| 4 | JTM1254VS-A04 | Belt | | 1 |
| 5 | JTM1254VS-A05 | Motor Disc - Lower | | 1 |
| 7 | 6295247 | Key | 7x7x25L | 1 |
| 8 | JTM1254VS-A08 | Spring | | 1 |
| 9 | JTM1254VS-A09 | Washer | | 1 |
| 10 | BB-6204ZZ | Ball Bearing | 6204ZZ | 1 |
| 11 | JTM1254VS-A11 | Pulley Cover | | 1 |
| 12 | TS-1503041 | Hex Socket Cap Screw | M6x16L | 4 |
| 13 | JTM1254VS-A13 | Upper Cover | | 1 |
| 14 | TS-1503041 | Hex Socket Cap Screw | M6x16L | 10 |
| 15 | BB-6009ZZ | Ball Bearing | 6009ZZ | 1 |
| 16 | JTM1254VS-A16 | Dial Housing | | 1 |
| 17 | TS-1503071 | Hex Socket Cap Screw | M6x30L | 4 |
| 18 | TS-1523051 | Set Screw | M6x16L | 2 |
| 19 | JTM1254VS-A19 | Bushing | | 1 |
| 20 | JTM1254VS-A20 | Spacer | | 1 |
| 21 | JTM1254VS-A21 | Worm | | 1 |
| 22 | JTM1254VS-A22 | Worm Gear | | 1 |
| 23 | 5301041 | Spring Pin | Ø5x10L | 2 |
| 24 | JTM1254VS-A24 | Bushing | | 2 |
| 25 | JTM1254VS-A25 | Shaft | | 1 |
| 26 | 5302611 | Spring Pin | Ø3x12L | 1 |
| 27 | JTM1254VS-A27 | Handwheel | | 1 |
| | JTM1254VS-A27A | Handwheel Assembly (includes #18,27,28) | | 1 |
| 28 | JTM1254VS-A28 | Handle | | 1 |
| 29 | JTM1254VS-A29 | Chain Axle | | 1 |
| 30 | 5509313 | Spring Pin | Ø4x16L | 2 |
| 31 | GA7X-865 | Spring Pin | Ø3x25L | 1 |
| 32 | JTM1254VS-A32 | Chain | | 1 |
| 33 | JTM1254VS-A33 | Screw | | 1 |
| 34 | JTM1254VS-A34 | Spacer | | 1 |
| 35 | JTM1254VS-A35 | Pin | | 1 |
| 36 | JTM1254VS-A36 | Adjustable Plate | | 1 |
| 37 | JTM1254VS-A37 | Shift Sleeve | | 2 |
| 38 | 6294761 | Key | 6x6x45L | 1 |
| 39 | JTM1254VS-A39 | Bottom Pin | | 1 |
| 40 | 5307431 | Spring Pin | 3/32"x3/4" | 1 |
| 41 | JTM1254VS-A41 | Flat Washer | Ø8.5 | 1 |
| 42 | JTM1254VS-A42 | Bearing Housing | | 1 |
| 43 | BB-6010ZZ | Ball Bearing | 6010ZZ | 2 |
| 44 | JTM1254VS-A44 | Spindle Disc - Upper | | 1 |
| 45 | JTM1254VS-A45 | Spindle Disc - Lower | | 1 |
| 47 | JTM1254VS-A47 | Brake Lining | | 1 |
| 48 | JTM1254VS-A48 | Lock Collar | | 1 |
| 49 | JTM1254VS-A49 | Spring | | 1 |
| 50 | JTM1254VS-A50 | Brake Seat | | 1 |
| 51 | TS-1504041 | Hex Socket Cap Screw | M8x20L | 10 |
| 52 | JTM949EVS-A53 | Brake Sleeve | | 1 |
| 53 | JTM949EVS-A54 | Spindle Brake Shaft | | 1 |
| 54 | JTM949EVS-A56 | Spindle Brake Lever Pivot | | 1 |
| 55 | TS-1503071 | Hex Socket Cap Screw | M6x30L | 1 |
| 56 | JTM1254VS-A56 | Spindle Brake Lever | | 1 |
| 57 | JTM949EVS-A50 | Brake Lever Knob | 3/8" | 1 |
| 58 | JTM1254VS-A58 | Hand Rod | | 1 |
| 59 | JTM1254VS-A59 | Brake Bracket | | 1 |
| 60 | JTM949EVS-A46 | Retaining Ring | STW8 | 1 |
| 61 | TS-0561072 | Hex Nut | 5/8-18UNF | 1 |

| Index No | Part No | Description | Size | Qty |
|----------|------------------|--|-----------------|-----|
| 62 | JTM1254VS-A62 | Timing Wheel | | 1 |
| 63 | JTM1254VS-A63 | Timing Belt | | 1 |
| 64 | JTM1254VS-A64 | Bearing Seat | | 1 |
| 65 | BB-6203ZZ | Ball Bearing | 6203ZZ | 2 |
| 66 | JTM1254VS-A66 | Pinion | | 1 |
| 67 | JTM1254VS-A67 | Gear Shaft | | 1 |
| 68 | KF2R5515 | Double Round Key | 5x5x15L | 1 |
| 69 | KF2R5518 | Double Round Key | 5x5x18L | 1 |
| 70 | JTM1254VS-A70 | Input Clutch | | 1 |
| 71 | 5307741 | Key | 8x7x24L | 1 |
| 72 | KF2R8712 | Key | 8x7x12L | 1 |
| 73 | JTM1254VS-A73 | Output Clutch | | 1 |
| 74 | JTM1254VS-A74 | Gear | | 1 |
| 75 | JTM1254VS-A75 | Bearing Housing | | 1 |
| 76 | JTM1254VS-A76 | Washer | | 1 |
| 77 | BB-6912ZZ | Ball Bearing | 6912ZZ | 2 |
| 78 | JTM1254VS-A78 | Spacer (Small) | | 1 |
| | JTM1254VS-A78A | Gear Bearing Spacer Assembly (includes #78,79) | | 1 |
| 79 | JTM1254VS-A79 | Spacer (Large) | | 1 |
| 80 | RTW62 | Retaining Ring | RTW62 | 1 |
| 81 | AN08 | Bearing Nut | AN08 | 1 |
| 82 | JTM1254VS-A82 | Upper Pulley Housing | | 1 |
| 83 | JTM1254VS-A83 | Stud | 7/16x4" | 3 |
| 84 | TS-0720101 | Spring Washer | 7/16" | 3 |
| 85 | TS-0561041 | Hex Nut | 7/16" | 3 |
| 86 | JTM1254VS-A86 | Spring | | 3 |
| 87 | JTM949EVS-A03 | Bull Gear Shifter Pinion Shaft | | 1 |
| 88 | B-56 | Spring Pin | Ø3x20L | 1 |
| 89 | JTM949EVS-A04 | Hi-Lo Detent Plate | | 1 |
| 90 | JTM949EVS-A05 | Sleeve | | 1 |
| 91 | JTM949EVS-A06 | Spring | | 1 |
| 92 | JTM949EVS-A08 | Hi-Lo Pinion Block | | 1 |
| 93 | TS-1502031 | Hex Socket Cap Screw | M5x12 | 2 |
| 94 | JTM949EVS-A09 | Hi-Lo Shift Handle | | 1 |
| 95 | F004478 | Cap Nut | 5/16"-18UNC | 1 |
| 96 | TS-0570031 | Hex Nut | 3/8"-16UNC | 2 |
| 97 | RTW80 | Retaining Ring | RTW80 | 1 |
| 98 | JTM1254VS-A98 | Collar | | 1 |
| 99 | BH1/4 | Black Plastic Ball | 1/4" | 1 |
| 100 | JTM1254VS-A100 | Clutch Collar | | 1 |
| 101 | JTM1254VS-A101 | Pulley Cover | | 2 |
| 102 | JTM1254VS-A102 | Spring Shaft | | 3 |
| 103 | JTM1254VS-A103 | Spacer | | 1 |
| 104 | JTM1254VS-A104 | Square Nut | | 1 |
| 105 | 5712561 | Pan Head Screw | M5x8L | 8 |
| 109 | AW08 | Bearing Washer | AW08 | 1 |
| 110 | TS-1540041 | Nut | M6 | 1 |
| 111 | TS-1209051 | Hex Socket Cap Screw | 3/8"x1"L | 4 |
| 112 | JTM1254VS-A112 | Motor | 3.75kW,5 HP,3Ph | 1 |
| | JTM1254VS-A112-1 | Motor Fan (not shown) | | 1 |
| | JTM1254VS-A112-2 | Motor Fan Cover (not shown) | | 1 |
| | JTM1254VS-A112-3 | Junction Box Cover (not shown) | | 1 |
| 113 | JTM949EVS-A51 | Pan Head Screw | 1/8"x1/4"L | 4 |
| 114 | JTM1254VS-A114 | Draw Bar | 5/8" | 1 |
| 115 | JTM1254VS-A115 | Spacer | | 1 |
| 117 | VS-117 | Pan Head Screw | 3/16"x1/2"L | 1 |
| 120 | JTM1254VS-A120 | Speed Plate | | 1 |
| 121 | TS-2284202 | Pan Head Screw | M4x20L | 4 |
| 124 | TS-1550071 | Flat Washer | Ø10mm | 4 |
| 125 | JTM1254VS-A125 | Speed Dial | | 1 |
| 131 | TS-0720131 | Spring Washer | 5/8" | 1 |
| 132 | TS-1502041 | Hex Socket Cap Screw | M5x16L | 3 |

| Index No | Part No | Description | Size | Qty |
|-----------------|----------------|--------------------|-------------|------------|
| 133 | LM000005 | Speed Range Label | | 1 |
| 134 | JTM949EVS-A91 | Push Plate | | 1 |
| 135 | JTM949EVS-A92 | Limit Switch | | 1 |
| 136 | LM000182 | Motor Label | | 1 |
| 137 | JET-165 | JET Logo | 165x68 mm | 1 |

12.3.1 JTM-1254VS Lower Head Assembly – Exploded View



12.3.2 JTM-1254VS Lower Head Assembly – Parts List

| Index No | Part No | Description | Size | Qty |
|----------|-----------------|--|-------------|-----|
| 1 | TS-1502031 | Hex Socket Cap Screw | M5x12L | 6 |
| 2 | JTM949EVS-B02 | Flat Washer | Ø5 | 1 |
| 3 | JTM1254VS-B03 | Feed Gear | | 1 |
| 4 | JTM1254VS-B04 | Shaft Sleeve | | 1 |
| 5 | JTM1254VS-B05 | Worm Cradle Bushing | | 1 |
| 6 | JTM1254VS-B06 | Worm Gear Spacer | | 1 |
| 7 | KF2R3320 | Key | 3x3x20L | 1 |
| 8 | JTM1254VS-B08 | Feed Drive Worm Gear | | 1 |
| 9 | JTM1254VS-B09 | Worm Gear Shaft | | 1 |
| 9-1 | 5308721 | Worm Shaft Key | 3x3x10L | 1 |
| 10 | JTM1254VS-B10 | Hex Socket Cap Screw | 5/16"x1/2"L | 1 |
| 11 | JTM1254VS-B11 | Washer | 5/16" | 1 |
| 12 | JTM1254VS-B12 | Feed Reverse Bevel Gear | | 1 |
| 13 | JTM1254VS-B13 | Worm Gear Cradle | | 1 |
| 14 | JTM1254VS-B14 | Feed Engage Pin | | 1 |
| 15 | JTM949EVS-B18 | Cam Rod | | 1 |
| 16 | JTM949EVS-B19 | Shift Sleeve | | 1 |
| 17 | JTM949EVS-B20 | Lock Rod | | 2 |
| 18 | JTM1254VS-B18 | Feed Drive Gear | | 1 |
| | JTM1254VS-B18A | Feed Drive Gear Assembly (includes #18,18-1 and 19) | | 1 |
| 18-1 | KF2R5508 | Key | 5x5x8L | 1 |
| 19 | KF2R5512 | Key | 5x5x12L | 1 |
| 20 | JTM1254VS-B20 | Needle Bearing | BA66 | 1 |
| 21 | JTM1254VS-B21 | Upper Bushing | | 1 |
| 22 | JTM1254VS-B22 | Cluster Gear | | 1 |
| 23 | JTM1254VS-B23 | Bevel Gear Shaft | | 1 |
| 23-1 | KF2R4445 | Key | 4x4x45L | 1 |
| 24 | JTM1254VS-B24 | Bevel Gear Bushing | | 1 |
| 25 | JTM1254VS-B25 | Spacer | | 1 |
| 26 | JTM1254VS-B26 | Feed Drive Gear | TA2620Z | 1 |
| 27 | JTM1254VS-B27 | Bushing | | 1 |
| 28 | JTM1254VS-B28 | Worm | | 1 |
| 28-1 | JTM1254VS-B28-1 | Spring Pin | | 1 |
| 29 | JTM1254VS-B29 | Feed Worm Shaft Bushing | | 1 |
| 30 | JTM1254VS-B30 | Bevel Gear Thrust Spacer | | 1 |
| 31 | JTM1254VS-B31 | Bushing | | 2 |
| 32 | JTM1254VS-B32 | Feed Reverse Bevel Gear | | 2 |
| 33 | JTM1254VS-B33 | Feed Reverse Clutch | | 1 |
| 33-1 | JTM1254VS-B33-1 | Spring Pin | | 1 |
| 34 | TS-1502021 | Hex Socket Cap Screw | M5x10L | 4 |
| 35 | JTM949EVS-B66 | Cluster Gear Cover | | 1 |
| 35-1 | TS-1522031 | Socket Set Screw | M5x10L | 1 |
| 36 | JTM949EVS-B60 | Feed Shift Rod | | 1 |
| 37 | JTM1254VS-B37 | Cluster Gear Shift Crank | | 1 |
| 38 | JTM1254VS-B38 | Feed Gear Shift Fork | | 1 |
| 39 | JTM949EVS-B23 | Crank | | 2 |
| 40 | 5302731 | Socket Set Screw | M8x6 | 2 |
| 41 | JTM1254VS-B41 | Feed Worm Shaft | | 1 |
| 41-1 | KF2R5515 | Key | 5x5x15L | 1 |
| 41-2 | JVM836B79-2 | Key | 5x5x10L | 1 |
| 42 | JTM1254VS-B42 | Reverse Clutch Rod | | 1 |
| 43 | JTM1254VS-B43 | Pinion Shaft | | 1 |
| 44 | JTM1254VS-B44 | Overload Clutch Worm Gear | | 1 |
| 44-1 | JTM1254VS-B44-1 | Screw | | 3 |
| 45 | JTM1254VS-B45 | Overload Clutch Ring | | 1 |
| 46 | JTM1254VS-B46 | Overload Clutch Sleeve | | 1 |
| | JTM1254VS-B46A | Overload Clutch Assembly (includes #46,47,49, 49-1,49-2) | | 1 |
| 46-1 | KF2R5516 | Key | 5x5x16L | 1 |
| 47 | JTM1254VS-B47 | Overload Clutch | | 1 |
| 48 | JTM1254VS-B48 | Safety Clutch Spring | | 1 |

| Index No | Part No | Description | Size | Qty |
|----------|-----------------|---|-----------------|-----|
| 49 | JTM1254VS-B49 | Overload Clutch Lockout | | 1 |
| 49-1 | TS-2276081 | Set Screw | M6x8L | 1 |
| 49-2 | JTM1254VS-B49-2 | Lock Block | | 1 |
| 50 | JTM1254VS-B50 | Clutch Ring | | 1 |
| 51 | GA7X-122 | Spring Pin | Ø5x20L | 1 |
| 52 | JTM1254VS-B52 | Trip Lever | | 1 |
| 53 | JTM1254VS-B53 | Clutch Ring Pin | | 2 |
| 54 | JTM1254VS-B54 | Washer | | 1 |
| 55 | STW10 | Retaining Ring | STW10 | 1 |
| 56 | JTM1254VS-B56 | Clutch Arm Cover | | 1 |
| 57 | JTM1254VS-B57 | Nose Piece | | 1 |
| 58 | JTM1254VS-B58 | Spindle Shield | | 1 |
| 59 | BB-7010ZZ | Ball Bearing | 7010ZZ | 2 |
| 60 | JTM1254VS-B60 | Bearing Spacer (Large) | | 1 |
| 61 | JTM1254VS-B61 | Bearing Spacer (Small) | | 1 |
| 62 | JTM1254VS-B62 | Quill | | 1 |
| 62-1 | 5308081 | Set Screw | M5x5L | 1 |
| 63 | TS-1523011 | Set Screw | M6x6L | 2 |
| 64 | AN10 | Bearing Nut | AN10 | 1 |
| 65 | BB-6008ZZ | Ball Bearing | 6008ZZ | 1 |
| 65-1 | TS-1533032 | Pan Head Cross Screw | M5x10L | 2 |
| 65-2 | 2210-255 | Retaining Ring | STW40 | 1 |
| 66 | JTM1254VS-B66 | Quill Skirt | | 1 |
| 67 | JTM1254VS-B67 | Spindle | NT40 | 1 |
| 68 | BH1/4 | Black Plastic Ball | 1/4" | 3 |
| 69 | JTM949EVS-B104 | Trip Handle | | 1 |
| 70 | JTM1254VS-B70 | Cam Rod | | 1 |
| 71 | JTM1254VS-B71 | Feed Trip Bracket | | 1 |
| 72 | JTM1254VS-B72 | Handwheel Clutch | | 1 |
| 73 | 5302731 | Set Screw | M8x6L | 1 |
| 74 | ETW6 | Retaining Ring | ETW6 | 1 |
| 75 | JTM1254VS-B75 | Feed Reverse Stud | | 1 |
| | JTM1254VS-B75A | Feed Reverse Stud Assembly (includes #74,75,76) | | 1 |
| 76 | JTM1254VS-B76 | Feed Reverse Bolt | | 1 |
| 77 | JTM1254VS-B77 | Cast Handwheel | | 1 |
| 77A | JTM1254VS-B77HA | Handwheel Assembly (includes #77,78) | | 1 |
| 78 | JTM1254VS-B78 | Handle | | 1 |
| 79 | JTM1254VS-B79 | Feed Trip Plunger | | 1 |
| 80 | JTM1254VS-B80 | Bushing | | 1 |
| 81 | JTM1254VS-B81 | Trip Plunger | | 1 |
| 82 | JTM949EVS-B21 | Spring | | 3 |
| 83 | JTM1254VS-B83 | Cam Rod Sleeve Assembly | | 1 |
| 84 | JTM1254VS-B84 | Micrometer Scale | | 1 |
| 84-1 | TS-2171012 | Pan Head Cross Screw | M4x6L | 2 |
| 85 | JTM1254VS-B85 | Quill Lock Sleeve | | 1 |
| 85-1 | JTM1254VS-B85-1 | Spring | | 1 |
| 86 | JTM1254VS-B86 | Quill Lock Sleeve | | 1 |
| 87 | JTM1254VS-B87 | Lock Handle | | 1 |
| 88 | JTM1254VS-B88 | Quill Stop Block | | 1 |
| 88-1 | TS-0209032 | Hex Socket Cap Screw | 3/8"-24UNFx3/4" | 1 |
| 89 | JTM949EVS-B162 | Micrometer Nut | | 1 |
| 91 | JTM949EVS-B164 | Quill Micro-Screw | | 1 |
| 91-1 | STW16 | Retaining Ring | STW16 | 2 |
| 92 | JTM949EVS-B77 | Ball Grip | | 1 |
| 93 | JTM949EVS-B84 | Handle | | 1 |
| 94 | JTM949EVS-B138 | Hub | | 1 |
| 94-1 | TS-0270031 | Set Screw | 5/16"x3/8" | 1 |
| 94-2 | JTM1254VS-B94-2 | Spring | | 1 |
| 94-3 | SB-3/16 | Steel Ball | 3/16 in. | 1 |
| 95 | JTM1254VS-B95 | Hub Sleeve | | 1 |
| 96 | JTM1254VS-B96 | Spring Cover | | 1 |
| 97 | JTM1254VS-B97 | Adjustable Spring | | 1 |

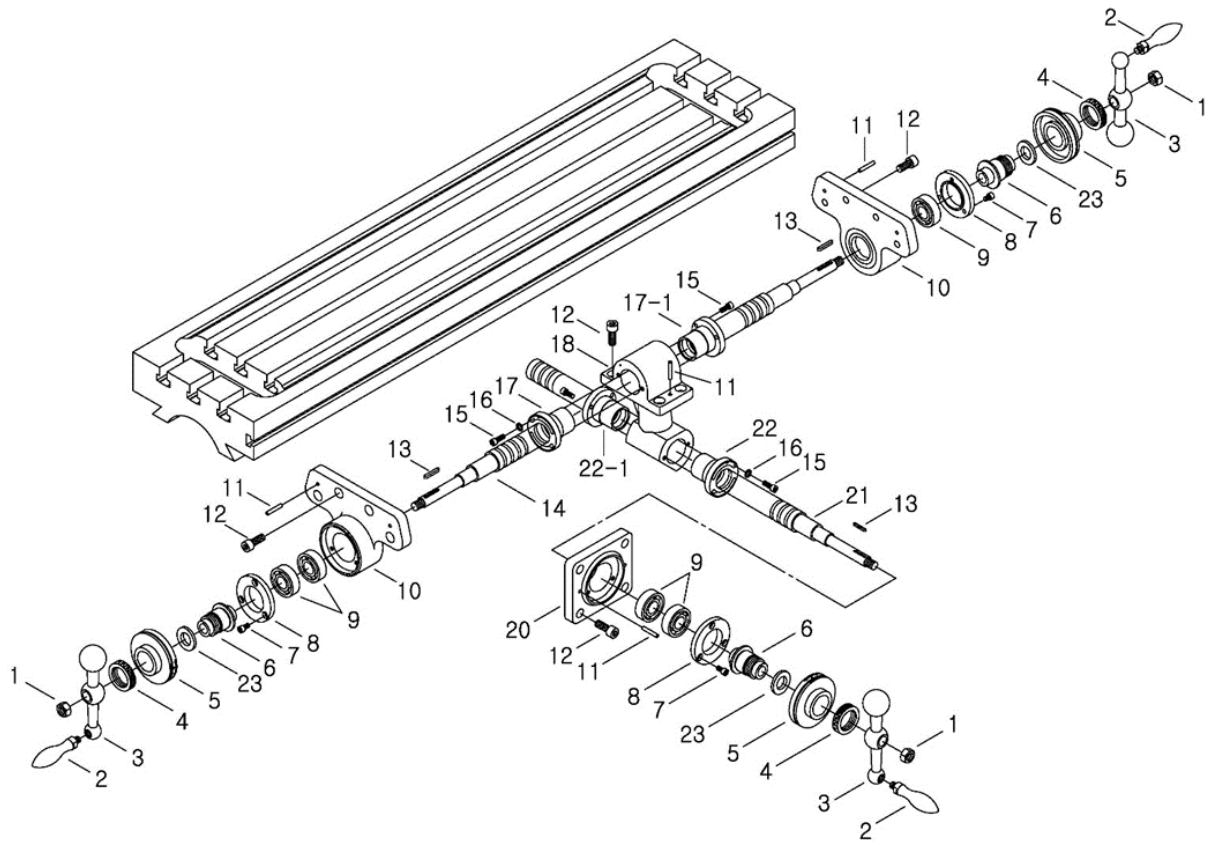
| Index No | Part No | Description | Size | Qty |
|----------|-----------------|---|----------|-----|
| 98 | JTM1254VS-B98 | Quill Pinion Shaft | | 1 |
| | JTM1254VS-B98A | Quill Pinion Shaft Assembly (includes #98,98-2) | | 1 |
| 98-1 | KF2R5525 | Key | 5x5x25L | 1 |
| 98-2 | JTM1254VS-B98-2 | T type Pin | | 1 |
| 99 | JTM1254VS-B99 | Pinion Shaft Hub | | 1 |
| 100 | JTM1254VS-B100 | Trip Lever Pin | | 1 |
| 101 | JTM1254VS-B101 | Rod | | 1 |
| 102 | JTM1254VS-B102 | Lever | | 1 |
| 103 | JTM1254VS-B103 | Screw | | 1 |
| 104 | JTM1254VS-B104 | Feed Trip Lever | | 1 |
| 105 | JTM1254VS-B105 | Quill Housing | | 1 |
| 106 | TS-1523021 | Set Screw | M6x8L | 1 |
| 107 | TS-1502081 | Hex Socket Cap Screw | M5x35L | 2 |
| 108 | TS-1523051 | Set Screw | M6x16L | 1 |
| 109 | TS-2311061 | Hex Nut | M6 | 1 |
| 110 | STW22 | Retaining Ring | STW22 | 1 |
| 111 | TS-1521071 | Set Screw | M4x20L | 1 |
| 112 | TS-1540021 | Hex Nut | M4 | 1 |
| 113 | TS-1502051 | Hex Socket Cap Screw | M5x20L | 1 |
| 114 | TS-1540031 | Hex Nut | M5 | 1 |
| 115 | JTM1254VS-B115 | Spring Pin | | 1 |
| 116 | 5302611 | Spring Pin | Ø3x12L | 1 |
| 117 | KF2R3312 | Key | 3x3x12L | 1 |
| 118 | TS-1523011 | Socket Set Screw | M6x6 | 1 |
| 119 | JTM1254VS-B119 | Spring | | 1 |
| 120 | SB-3/16 | Steel Ball | 3/16 in. | 1 |
| 121 | TS-1503051 | Hex Socket Cap Screw | M6x20 | 2 |
| 122 | 5625391 | Spring Pin | Ø5x16L | 1 |
| 123 | JTM1254VS-B123 | Worm Gear | | 1 |
| 124 | JTM1254VS-B124 | Worm Shaft | | 1 |
| | JTM1254VS-B124A | Worm Shaft Assembly (includes #124,125,126) | | 1 |
| 125 | KF2R4418 | Key | 4x4x18L | 1 |
| 126 | JTM1254VS-B126 | Set Screw | | 1 |
| 127 | JTM949EVS-B25 | Indicator Rod | | 1 |
| 128 | JTM949EVS-B26 | Indicator Rod Screw | | 1 |
| 129 | JTM1254VS-B129 | Stop Block | | 2 |
| 130 | TS-1504041 | Hex Socket Cap Screw | M8x20L | 2 |

12.5.2 JTM-1254VS Base Machine – Parts List

| Index No | Part No | Description | Size | Qty |
|----------|----------------|-------------------------|-------------------|-----|
| 1 | JTM1050EVS-C01 | Lifting Ring | M24 | 1 |
| 2 | JTM1254VS-C02 | Ram | | 1 |
| 3 | JTM949EVS-C02 | Worm Gear | | 1 |
| 3-1 | 5501115 | Spring Pin | Ø6x30L | 1 |
| 3-2 | TS-1504061 | Hex Socket Cap Screw | M8x30L | 2 |
| 4 | JTM1254VS-C04 | Bolt | 5/8" | 4 |
| 4-1 | TS-2361161 | Spring Washer | Ø16 | 4 |
| 4-2 | TS-0561071 | Hex Nut | 5/8" | 4 |
| 5 | JTM1254VS-C05 | Ram Lock Bolt | | 2 |
| 6 | JTM1254VS-C06 | Ram Lock Plunger | | 2 |
| 7 | JTM1254VS-C07 | Ram Pinion | | 1 |
| 8 | JTM1254VS-C08 | Turret | | 1 |
| 9 | JTM1254VS-C09 | Ram/Turret Gib | | 1 |
| 10 | JTM1254VS-C10 | Hex Head Screw | M12x185L | 4 |
| 10-1 | TS-2361121 | Spring Washer | Ø12 | 5 |
| 10-2 | JTM949EVS-B120 | Flat Washer | Ø13 | 4 |
| 11 | JWS35X-222 | Socket Set Screw | M8x30L | 1 |
| 11-1 | TS-1540061 | Hex Nut | M8 | 1 |
| 12 | JTM1254VS-C12 | Knee Lock Plunger | | 2 |
| 13 | JTM1254VS-C13 | Set Screw | M10x60L | 2 |
| 13-1 | TS-2331101 | Hex Nut | M10 | 2 |
| 14 | JTM1254VS-C14 | Turret Scale | | 1 |
| 15 | RN2L6 | Rivet | Ø2x6L | 6 |
| 16 | JTM1254VS-C16 | Spider | | 1 |
| 17 | JTM1254VS-C17 | Column | | 1 |
| 18 | JTM1254VS-C18 | Plate | | 1 |
| 19 | JTM1254VS-C19 | Ram Cover | | 1 |
| 22 | JTM1254VS-C22 | Strainer Net | | 2 |
| 23 | JTM1254VS-C23 | Elevating Screw Housing | | 1 |
| 23-1 | TS-1505071 | Hex Socket Cap Screw | M10x45L | 2 |
| 24 | JTM1254VS-C24 | Elevating Nut (Inch) | Ø32 x 5 tpi | 1 |
| 24-1 | TS-1503051 | Hex Socket Cap Screw | M6x20L | 6 |
| 25 | JTM1254VS-C25 | Lead Screw (Inch) | Ø35 x 5tpi (590L) | 1 |
| 26 | KF2R5520 | Key | 5x5x20L | 1 |
| 27 | BB-6204ZZ | Bearing | 6204ZZ | 2 |
| 28 | JTM949EVS-C58 | Bevel Gear | 36T | 1 |
| 29 | JTM1254VS-C29 | Washer | Ø13xØ32x5t | 1 |
| 30 | JTM1254VS-C30 | Hex Nut | 1/2-20UNF | 1 |
| 31 | JTM1254VS-C31 | Bearing Seat | | 1 |
| 32 | JTM1254VS-C32 | Cover | | 1 |
| 33 | JTM1254VS-C33 | Dial Holder | | 1 |
| 34 | JTM1254VS-C34 | Dial (Inch) | 100/0.001" | 1 |
| 35 | JTM1254VS-C35 | Dial Lock Nut | | 1 |
| 36 | JTM1254VS-C36 | Clutch Insert | | 1 |
| 37 | JTM1050EVS2-75 | Elevating Crank | | 1 |
| 38 | JTM949EVS-C62 | Handle | | 1 |
| 39 | JTM1254VS-C39 | Knee | | 1 |
| 40 | JTM1254VS-C40 | Knee Cover | | 1 |
| 41 | JTM1254VS-C41 | Elevating Shaft | | 1 |
| 41-1 | 5308721 | Key | 3x3x10L | 1 |
| 41-2 | 5510498 | Key | 4x4x16L | 1 |
| 42 | JTM949EVS-C74 | Bevel Gear | 18T | 1 |
| 42-1 | TS-1523031 | Socket Set Screw | M6x10L | 1 |
| 43 | JTM1254VS-C43 | Support Plate-R | | 1 |
| 44 | JTM1254VS-C44 | Support Plate-L | | 1 |
| 45 | JTM1254VS-C45 | Gib | | 2 |
| 46 | JTM1254VS-C46 | Adjusting Screw | | 14 |
| 47 | TS-1506041 | Hex Socket Cap Screw | M12x35L | 8 |
| 48 | JTM1254VS-C48 | Knee Wiper (left) | | 1 |

| Index No | Part No | Description | Size | Qty |
|----------|-----------------|-----------------------------------|-------------------|-----|
| 49 | JTM1254VS-C49 | Knee Wiper (right) | | 1 |
| 50 | JTM1254VS-C50 | Knee/ Column Gib | | 1 |
| 51 | JTM1254VS-C51 | Knee/ Column Gib | | 2 |
| 52 | JTM1254VS-C52 | Table | 12"x54" | 1 |
| 53 | JTM1254VS-C53 | Oil Plug | 1/2"PT | 3 |
| 54 | JTM1254VS-C54 | Nut | | 2 |
| 55 | JTM1254VS-C55 | Bushing | | 2 |
| 57 | TS-1505041 | Hex Socket Cap Screw | M10x30L | 3 |
| 58 | JTM1254VS-C58 | T-Rubber | | 6 |
| 59 | JTM1254VS-C59 | Flat Way Cover (Rear) | | 1 |
| 60 | TS-2245102 | Socket Head Button Screw | M5x10L | 39 |
| 61 | JTM1254VS-C61 | Pleated Way Cover (Front) | | 1 |
| 62 | JTM1254VS-C62 | Wiper | | 2 |
| 63 | JTM1254VS-C63 | Saddle | | 1 |
| 64 | JTM1254VS-C64 | Table Stop Bracket | | 1 |
| 65 | TS-1505011 | Hex Socket Cap Screw | M10X16L | 2 |
| 66 | JTM1254VS-C66 | Lock Handle | | 1 |
| 66-1 | JTM1254VS-C66-1 | Saddle Lock Plunger | | 1 |
| 67 | JTM1254VS-C67 | Lock Handle | M12x25L | 4 |
| 67-1 | JTM1254VS-C67-1 | Table Lock Plunger 1 | | 1 |
| 67-2 | JTM1254VS-C67-2 | Table Lock Plunger 2 | | 1 |
| 68 | JTM1254VS-C68 | Gib | | 1 |
| 70 | JTM1254VS-C70 | Chip Guard (Bottom) | 680 mm (129x2.0T) | 1 |
| 71 | JTM1254VS-C71 | Chip Guard (Middle) | 565 mm (129x2.0T) | 1 |
| 72 | JTM1254VS-C72 | Chip Guard (Top) | 430 mm (129x2.0T) | 1 |
| 73 | JTM1254VS-C73 | Knee Support Plate (Right) | | 1 |
| 74 | JTM1254VS-C74 | Knee Support Plate (Left) | | 1 |
| 75 | JTM1254VS-C75 | Gib | | 1 |
| 76 | F005475 | Hex Socket Cap Screw | M14x35L | 10 |
| 91 | JTM1254VS-C91 | Pointer | | 2 |
| 100 | TS-1540071 | Hex Nut | M10 | 1 |
| 101 | JTM949EVS-C84 | Side Cover | | 1 |
| 102 | TS-1503031 | Socket Head Button Screw | M6x12L | 2 |
| 103 | BB-51305 | Bearing | 51305 | 1 |
| 104 | BB-6205ZZ | Ball Bearing | 6205ZZ | 1 |
| 105 | JTM949EVS-C44 | Washer | | 1 |
| 106 | JTM1254VS-C106 | Chip Pan | | 1 |
| 107 | TS-1504031 | Hex Socket Cap Screw | M6x12L | 4 |
| 108 | TS-1550041 | Flat Washer | Ø6 | 4 |
| 109 | LM000183 | ID/Warning Label, JTM-1254VS | | 1 |
| 110 | JET-254 | JET Logo | 254x105 mm | 2 |
| | JTM1254VS-TB | Tool Box Kit Complete (not shown) | | 1 |

12.7.1 JTM-1254VS/RVS Table Assembly – Exploded View



12.7.2 JTM-1254VS/RVS Table Assembly – Parts List

| Index No | Part No | Description | Size | Qty |
|----------|-----------------|-------------------------------------|--------------------|-----|
| 1 | TS-0561052 | Nut | 1/2-20UNF | 3 |
| 2 | JTM949EVS-D02 | Handle | 3/8" | 3 |
| | JTM949EVS-D03A | Ball Crank Assembly (includes #2,3) | | 1 |
| 3 | JTM949EVS-D03 | Ball Crank | | 3 |
| 4 | JTM949EVS-D04 | Dial Lock Nut | | 3 |
| 5 | JTM949EVS-D05 | Dial (Inch) | 200/0.001" | 3 |
| 6 | JTM949EVS-D06 | Dial Holder | 3mm / 56.6L | 3 |
| 7 | TS-1503031 | Hex Socket Cap Screw | M6x12 | 9 |
| 8 | JTM949EVS-D08 | Cover | | 3 |
| 9 | BB-6204ZZ | Ball Bearing | 6204ZZ | 5 |
| 10 | JTM949EVS-D10 | Bearing Bracket | Ø60 | 2 |
| 11 | 5311251 | Spring Pin | Ø5x30 | 6 |
| 12 | TS-1505011 | Hex Socket Cap Screw | M10x16 | 16 |
| 13 | KF2R3325 | Key | 3x3x25 | 3 |
| 14 | JTM1254VS-D14 | Lead Screw | Ø32 x 5 tpi (1632) | 1 |
| 15 | TS-1503041 | Hex Socket Cap Screw | M6x16 | 10 |
| 16 | TS-1550041 | Flat Washer | M6 | 4 |
| 17 | JTM949EVS-D17 | Feed Screw Nut (Inch) | Ø32 x 5 tpi | 1 |
| 17-1 | JTM949EVS-D17-1 | Feed Screw Nut (Adjust-I) | Ø32 x 5 tpi | 1 |
| 18 | JTM1254VS-D18 | Lead Screw Housing | | 1 |
| 20 | JTM949EVS-D20 | Cross Bearing Bracket | | 1 |
| 21 | JTM1254VS-D21 | Cross Feed Screw | Ø32 x 5 tpi (720) | 1 |
| 22 | JTM949EVS-D22 | Cross Feed Adjustment Nut (Inch) | Ø32 x 5 TPI | 1 |
| 22-1 | JTM949EVS-D22-1 | Cross Feed Nut (Inch) | Ø32 x 5 TPI | 1 |
| 23 | JTM949EVS-D23 | Adjusting Washer | Ø45xØ34x0.15t | 3 |

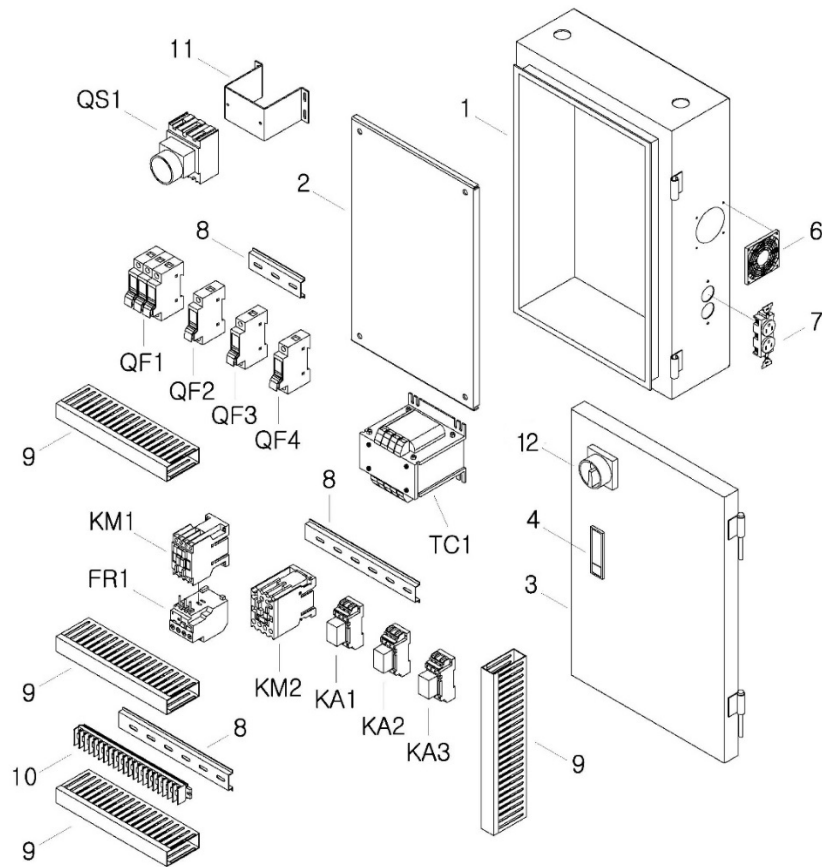
12.8.1 JTM-1254VS/RVS Control Box Assembly – Exploded View



12.8.2 JTM-1254VS/RVS Control Box Assembly – Parts List

| Index No | Part No | Description | Size | Qty |
|----------|-----------------|--|------------|-----|
| | JTM1254VS-CBA | Control Box Assembly (includes #1-8) | | 1 |
| 1 | JTM949EVS-E01 | Control Box | | 1 |
| 2 | JTM1254VS-CB | Control Panel | | 1 |
| 3 | JTM949EVS-E09 | Emergency Switch | | 1 |
| 4 | JTM949EVS-E07 | Spindle Stop Button | | 1 |
| 5 | JTM949EVS-E06 | Coolant Pump Switch | | 1 |
| 6 | JTM949EVS-E08 | Power Start Button | | 1 |
| 7 | JTM949EVS-E04 | F/R Select Switch | | 1 |
| 8 | TS-2245102 | Socket Head Button Screw | M5x10L | 4 |
| 9 | TS-1540031 | Hex Nut | M5 | 4 |
| 10 | TS-1550031 | Flat Washer | Ø5 | 4 |
| 11 | JTM949EVS-E12 | Handle | | 1 |
| 12 | TS-2245162 | Socket Head Button Screw | M5x16 | 4 |
| | JTM949EVS-E14 | Support Rod Unit Assembly (includes #13, 13-1, 13-2, 16, 20, 23) | | 1 |
| 13 | JTM1254VS-E13 | Rod | | 1 |
| 13-1 | JTM1254VS-E13-1 | Rotating Bracket | | 1 |
| 13-2 | JTM1254VS-E13-2 | Control Box Bracket | | 1 |
| 14 | TS-1504041 | Hex Socket Cap Screw | M8X20L | 2 |
| 15 | TS-1523031 | Socket Set Screw | M6x10 | 3 |
| 16 | JTM949EVS-E18 | Lock Handle | M12X35L | 1 |
| 17 | JTM949EVS-E19 | Bracket | | 1 |
| 18 | TS-1523051 | Hex Socket Cap Screw | M6x16L | 3 |
| 19 | JTM1254VS-E19 | Spacer | | 1 |
| 20 | JTM949EVS-B120 | Flat Washer | Ø13xØ20x2T | 1 |
| 21 | TS-0640081 | Hex Nylon Lock Nut | 5/16"-18 | 1 |
| 22 | JTM1254VS-E22 | Rubber gasket | | 1 |
| 23 | JTM1254VS-E23 | Nut | | 1 |
| | JTM1254VS-D19 | Cable (Control Panel to Electrical Box) – not shown | | 1 |

12.9.1 JTM-1254VS/RVS Electrical Box – Exploded View



12.9.2 JTM-1254VS/RVS Electrical Box – Parts List

| Index No | Part No | Description | Size | Qty |
|----------|-----------------|---|--------------|-----|
| 1 | JTM949EVS-F01 | Electrical Cabinet (RE: JTM949EVS-F21) | | 1 |
| 2 | JTM949EVS-F02 | Electrical Plate (RE: JTM949EVS-F21) | | 1 |
| 3 | JTM949EVS-F03 | Electrical Cabinet Door (RE: JTM949EVS-F21) | | 1 |
| | JTM949EVS-F21 | Electrical Cabinet Assembly (includes #1-3) | | 1 |
| 4 | JTM949EVS-F04 | Door Latch | | 1 |
| 6 | JTM949EVS-F18 | Fan Cover | | 1 |
| 7 | JTM949EVS-F19 | Electric Receptacle | | 1 |
| 8 | JTM949EVS-F16 | Aluminum Rail | | 2 |
| 9 | JTM949EVS-F14 | Wire Casing | | 5 |
| 10 | JTM949EVS-F15 | Terminal Block | | 1 |
| 11 | JTM949EVS-F21 | Switch Bracket | | 1 |
| 12 | JTM949EVS-F05-1 | Switch Interface | | 1 |
| QS1 | JTM949EVS-F05 | Door Switch (includes #12) | | 1 |
| TC1 | JTM949EVS-F06 | Transformer | 400VA | 1 |
| KM1 | JTM1254VS-FKM1 | Magnetic Contactor | TECO / CU-11 | 1 |
| FR1 | JTM1254VS-FFR1 | Flicker Relay | | 1 |
| KM2 | JTM1254VS-FKM2 | Magnetic Contactor | TECO / CU-11 | 1 |
| KA1 | JTM1254VS-FKA1 | Relay | RMIA4524VAC | 1 |
| KA2 | JTM1254VS-FKA2 | Relay | RMIA21024VAC | 1 |
| KA3 | JTM1254VS-FKA3 | Relay | RMIA4524VAC | 1 |
| QF1 | JTM1254VS-FQF1 | Power Circuit Breaker | 3P 25A | 1 |
| QF2 | JTM1254VS-FQF2 | Power Circuit Breaker | 1P 2A | 1 |
| QF3 | JTM1254VS-FQF3 | Power Circuit Breaker | 1P 6A | 1 |
| QF4 | JTM1254VS-FQF4 | Power Circuit Breaker | 1P 6A | 1 |

12.10.1 JTM-1254VS/RVS Coolant Pump (Optional) – Exploded View

12.11.1 JTM-1254VS/RVS Work Lamp – Exploded View



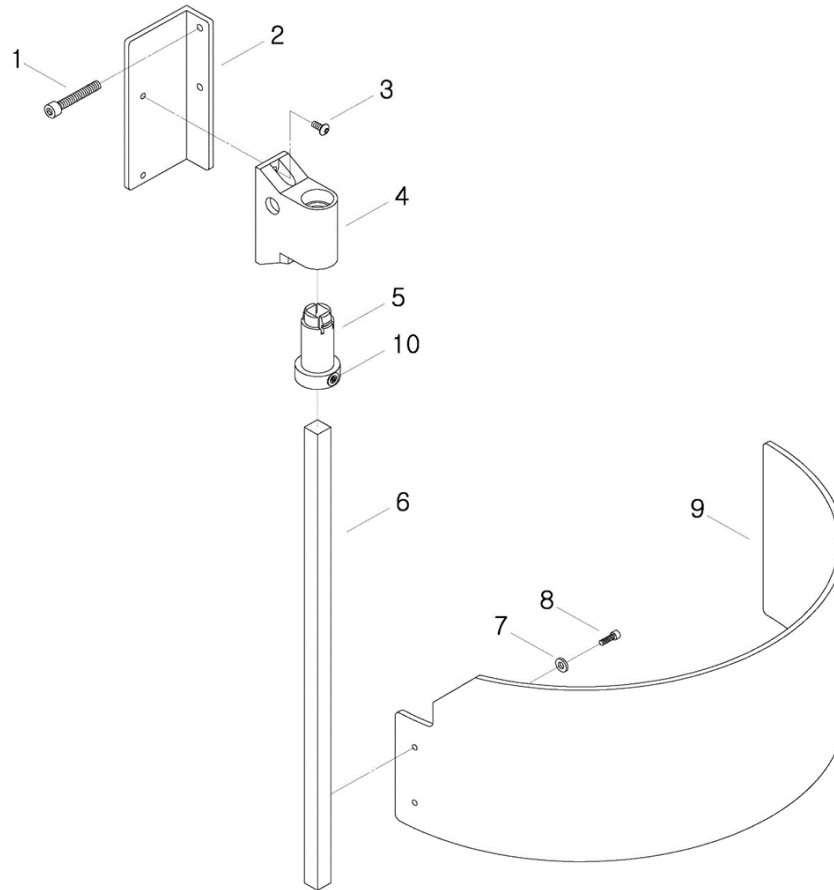
12.10.2 JTM-1254VS/RVS Coolant Pump (Optional) – Parts List

| Index No | Part No | Description | Size | Qty |
|----------|---------------|--|----------------------|-------|
| | JTM949EVS-G00 | Coolant Pump Kit (includes #1 thru 12) | | |
| 1 | JTM949EVS-G01 | Plastic Nozzle | | 1 |
| 2 | JTM949EVS-G02 | Valve | PT 3/8" x 1/2" | 1 |
| 3 | TS-1503091 | Hex Socket Cap Screw | M6 x 40 | 2 |
| 4 | JTM949EVS-G04 | Block | | 1 |
| 5 | JTM949EVS-G07 | Hose Fitting | PT 3/8" x 1/2" (90°) | 1 |
| 6 | JTM949EVS-G06 | Hose | 1/2" | 1 |
| 7 | JTM949EVS-G07 | Hose Fitting | PT 3/8" x 1/2" (90°) | 1 |
| 8 | JTM949EVS-G08 | Hose Clamp | 5/6" (11 ~ 20) | 2 |
| 9 | JTM949EVS-G09 | Coolant Pump | 1/8HP | 1 |
| 10 | JTM949EVS-G10 | External Coolant Tank | | 1 |
| 11 | JTM949EVS-G11 | Strainer | | 1 |
| 12 | JTM949EVS-G12 | Cover with handle | | 1 |

12.11.2 JTM-1254VS/RVS Work Lamp – Parts List

| | | | | |
|----|---------------|----------------------|-----------|---|
| 13 | JTM949EVS-G13 | Work Lamp | 24V / LED | 1 |
| 14 | TS-1502041 | Hex Socket Cap Screw | M5X16 | 4 |
| 15 | JTM949EVS-G15 | Work Light Bracket | | 1 |
| 16 | TS-1503041 | Hex Socket Cap Screw | M6X16 | 6 |
| 17 | TS-1550041 | Flat Washer | Ø6mm | 6 |
| 18 | JTM949EVS-G18 | LED Bulb (not shown) | 24V | 1 |

12.12.1 JTM-1254VS/RVS Spindle Guard Assembly – Exploded View



12.12.2 JTM-1254VS/RVS Spindle Guard Assembly – Parts List

| Index No | Part No | Description | Size | Qty |
|----------|----------------|--|-------|-----|
| | JTM949EVS-SGA | Spindle Guard Assembly (#1 thru 10) | | |
| 1 | TS-1502101 | Hex Socket Cap Screw | M5x45 | 2 |
| 2 | JTM949EVS-H02 | Support Plate | | 1 |
| 3 | TS-2245102 | Socket Head Button Screw | M5x10 | 2 |
| 4 | JTM949EVS-H04 | Bushing Bracket (Re: JTM949EVS-H04A) | | 1 |
| | JTM949EVS-H04A | Bushing Bracket Assembly (includes #4,5) | | 1 |
| 5 | JTM949EVS-H05 | Bushing | | 1 |
| 6 | JTM949EVS-H06 | Support Rod | | 1 |
| 7 | TS-1550031 | Washer | Ø5 | 2 |
| 8 | TS-1502031 | Hex Socket Cap Screw | M5x12 | 2 |
| 9 | JTM949EVS-H09 | Spindle Guard | | 1 |
| 10 | TS-1522021 | Socket Set Screw | M5x8 | 1 |

12.13.1 JTM-1254VS/RVS Lubrication System – Exploded View



12.13.2 JTM-1254VS/RVS Lubrication System – Parts List

| Index No | Part No | Description | Size | Qty |
|----------|----------------|--------------------------------------|--------------|-----|
| 1 | JTM949EVS-J01N | Automatic Oiler | 2L, 0~180min | 1 |
| 2 | TS-1503061 | Hex Socket Cap Screw | M6x25L | 2 |
| 3 | JTM949EVS-J03 | Flexible Steel Tube | Ø4 | 1 |
| 4 | JTM949EVS-J04 | Elbow Adaptor | Ø4 | 3 |
| 5 | JTM949EVS-J10 | Oil Distributor | Ø4, 6 holes | 2 |
| 6 | JTM949EVS-J06 | Flexible Steel Tube | | 1 |
| 7 | JTM949EVS-J07 | Aluminum Pipe | Ø4 | 2 |
| 8 | TS-1502061 | Hex Socket Cap Screw | M5x25L | 4 |
| 9 | JTM1254VS-J09 | Oil Distributor | Ø4, 8 holes | 1 |
| | JTM1254VS-J05A | Oil Distributor Kit (incl. #3,5,6,9) | | 1 |