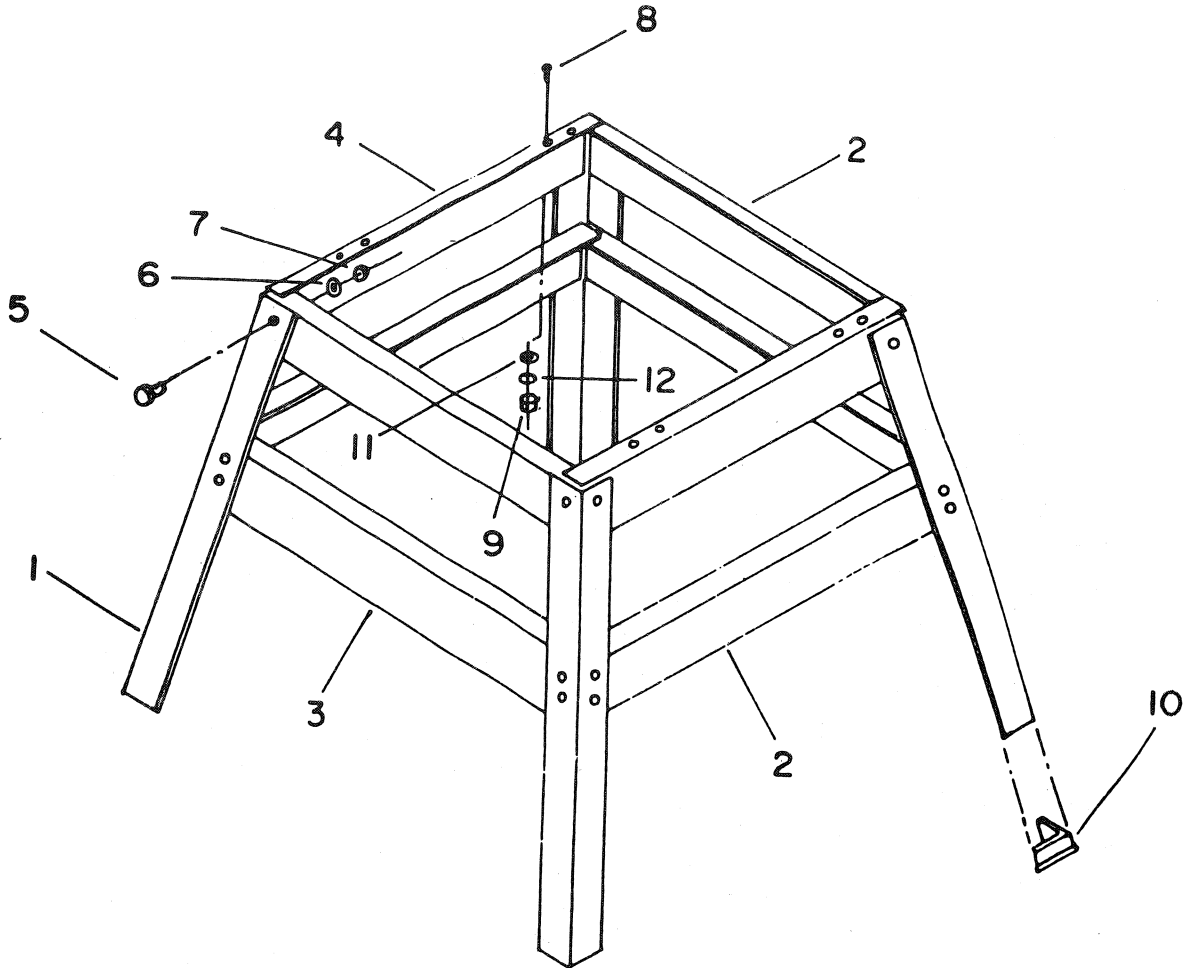


SHAPER TABLE STAND

6961

1. ASSEMBLE STAND AS SHOWN BELOW WITH LEGS ON OUTSIDE AND BRACKETS INSIDE. PUT CARRIAGE BOLTS THRU RECTANGULAR HOLES WITH THE HEADS ON THE OUTSIDE AND WASHERS AND NUTS ON THE INSIDE.
2. PLACE STAND IN UPRIGHT POSITION AND PRESS DOWN ON IT UNTIL LEGS ADJUST TO THE FLOOR. THEN TIGHTEN ALL NUTS SECURELY.
3. ATTACH UNIT TO STAND USING 4 CAP SCREWS, WASHERS AND NUTS.
4. DRILLING THE SHAPER TABLE LEGS MAY BE REQUIRED.



Ref. No.	Part No.	Desc.
1	1255010	Leg 24 1/2
2	1255011	Bracket 20 1/8
3	1255012	Bracket 24 1/4
4	1255013	Bracket 14 3/4
5	843061	Carriage Bolt, 5/16 - 18 x 3/4
6	861720	Washer, 11/32
7	862155	Hex Nut, 5/16 - 18
8	824317	Cap Screw, 1/4 - 20 x 3/4
9	800192	Hex Nut, 1/4 - 20
10	1255014	Foot
11	803060	Washer 9/32
12	822133	Washer-Lock 1/4