

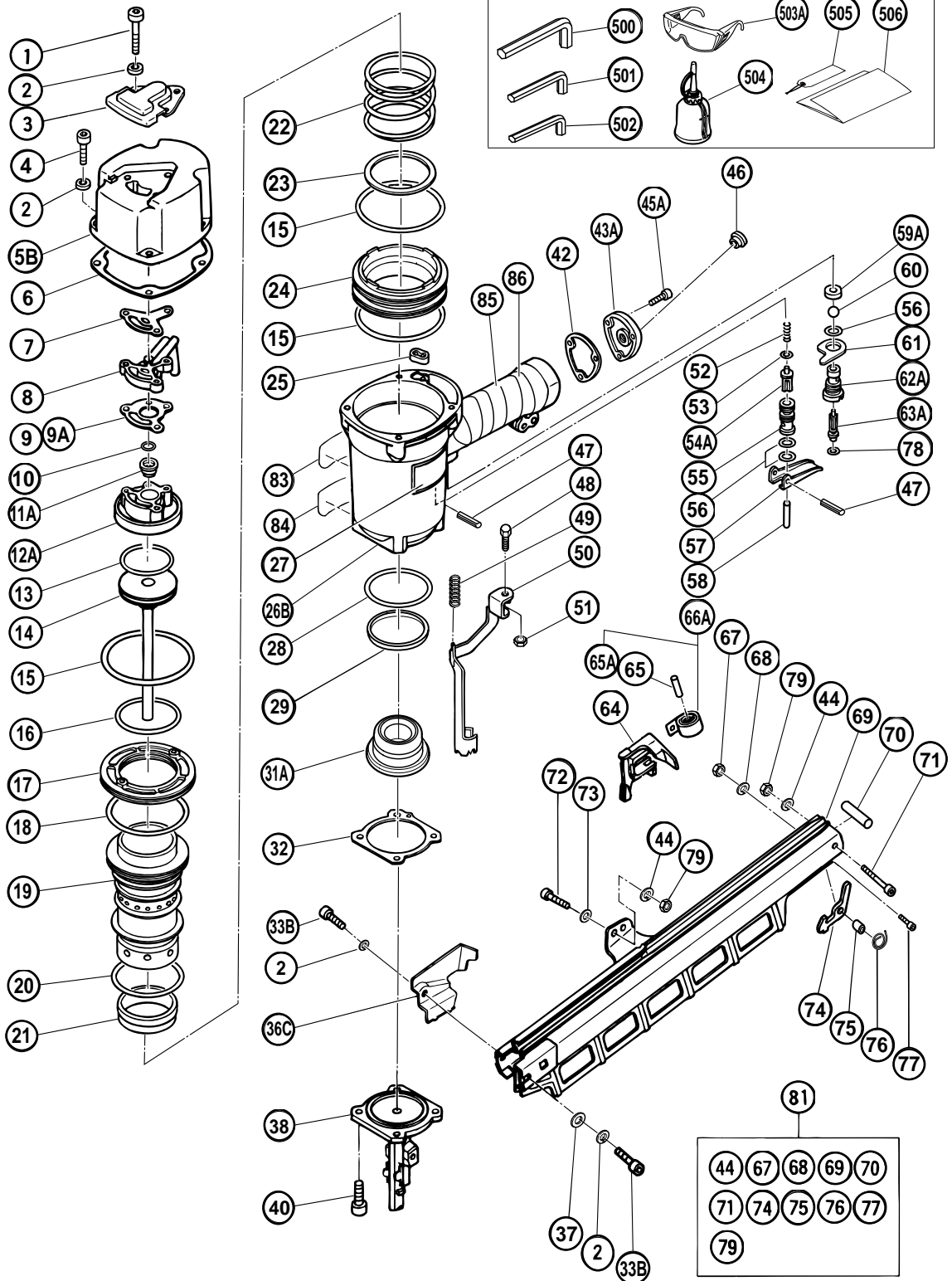
PNEUMATIC TOOL PARTS LIST

■ STRIP NAILER

2000・9・29

Model NR 83A ROUND HEAD, PLASTIC COLLATION

(E7)



PARTS

NR 83A

| ITEM NO. | CODE NO. | DESCRIPTION | NO. USED | REMARKS |
|----------|----------|--------------------------------------|----------|-----------------------------------|
| 1 | 949-832 | HEX. SOCKET HD. BOLT M6X45 (10 PCS.) | 3 | |
| 2 | 949-455 | SPRING WASHER M6 (10 PCS.) | 9 | |
| 3 | 877-330 | TOP COVER | 1 | |
| 4 | 949-652 | HEX. SOCKET HD. BOLT M6X25 (10 PCS.) | 4 | |
| 5B | 877-324 | EXHAUST COVER | 1 | |
| 6 | 877-325 | GASKET (B) | 1 | |
| 7 | 877-329 | GASKET (F) | 1 | |
| 8 | 877-328 | EXHAUST PIECE | 1 | |
| 9 | 877-326 | GASKET (C) | 1 | TILL 6.1988 |
| 9A | 877-854 | GASKET (C) | 1 | SINCE 7.1988 |
| 10 | 872-821 | VALVE O-RING | 2 | TILL 1.1987 |
| 11A | 878-417 | EXHAUST VALVE | 1 | |
| 12A | 877-307 | HEAD CAP AND GASKET SET | 1 | INCLUD.9A |
| 13 | 877-368 | O-RING (1AP-48) | 2 | |
| 14 | 877-323 | PISTON | 1 | |
| 15 | 877-316 | O-RING (S-90) | 3 | |
| 16 | 877-312 | CYLINDER O-RING (I.D 63.1) | 1 | |
| 17 | 877-318 | CYLINDER PLATE | 1 | |
| 18 | 877-313 | CYLINDER O-RING (I.D 79.3) | 1 | |
| 19 | 877-810 | CYLINDER | 1 | |
| 20 | 877-314 | CYLINDER O-RING (I.D 69.3) | 1 | |
| 21 | 877-317 | CYLINDER RING | 1 | |
| 22 | 877-321 | CYLINDER SPRING | 1 | |
| 23 | 877-322 | BASE WASHER | 1 | |
| 24 | 877-310 | CYLINDER GUIDE | 1 | |
| 25 | 877-327 | GASKET (G) | 1 | |
| 26B | 877-835 | BODY (B) ASS'Y | 1 | W/ GRIP RUBBER, ITEM NO. 605, 606 |
| 27 | | NAME PLATE | 1 | |
| 28 | 877-315 | CYLINDER O-RING (I.D 63.9) | 1 | |
| 29 | 877-319 | CYLINDER BUMPER | 1 | TILL 2.1987 |
| 31A | 878-303 | PISTON BUMPER | 1 | |
| 32 | 877-334 | GASKET (A) | 1 | |
| 33B | 878-426 | HIGH TENSION BOLT M6X18 | 2 | |
| 36C | 878-419 | GUARD (A) | 1 | |
| 37 | 877-402 | WASHER | 1 | TILL 4.1984 |
| 38 | 877-390Z | NOSE | 1 | |
| 40 | 949-760 | HEX. SOCKET HD. BOLT M8X25 (10 PCS.) | 4 | |
| 42 | 877-331 | GASKET (D) | 1 | |
| 43A | 878-311 | CAP | 1 | |
| 44 | 949-454 | SPRING WASHER M5 (10 PCS.) | 3 | |
| 45A | 949-658 | HEX. SOCKET HD. BOLT M5X18 (10 PCS.) | 3 | |
| 46 | 872-035 | DUST CAP | 1 | |
| 47 | 949-866 | ROLL PIN D3X30 (10 PCS.) | 2 | |
| 48 | 875-650 | SAFETY BOLT | 1 | |
| * 49 | 877-365 | SPRING | 1 | |
| * 49 | 878-423 | SPRING | 1 | FOR EUROPE |
| 50 | 877-391Z | PUSHING LEVER | 1 | |
| 51 | 949-555 | NUT M5 (10 PCS.) | 1 | |
| 52 | 875-643 | PLUNGER SPRING | 1 | |
| 53 | 874-436 | O-RING (P-4) | 1 | |
| 54A | 877-338 | PLUNGER (A) | 1 | |

* : ALTERNATIVE PARTS

9 - 00

PARTS

NR 83A

| ITEM NO. | CODE NO. | DESCRIPTION | NO. USED | REMARKS |
|----------|----------|--------------------------------------|----------|--------------------------|
| 55 | 877-337 | VALVE BUSHING | 1 | |
| 56 | 875-638 | O-RING (S-12) | 3 | |
| 57 | 876-203 | TRIGGER | 1 | |
| 58 | 877-339 | PLUNGER (B) | 1 | |
| 59A | 878-734 | VALVE PACKING | 1 | |
| 60 | 875-645 | URETHANE BALL (C) D7.14 | 1 | |
| 61 | 875-644 | VALVE PLATE | 1 | |
| 62A | 877-335 | TRIGGER VALVE BUSHING | 1 | |
| 63A | 878-121 | TRIGGER PLUNGER | 1 | |
| 64 | 877-393Z | NAIL FEEDER | 1 | |
| 65 | 877-395Z | SPRING SHAFT | 1 | TILL 1.1987 |
| 65A | 878-418 | NEEDLE ROLLER | 1 | SINCE 2.1987 |
| 66A | 878-421 | RIBBON SPRING SET | 1 | INCLUD.65A |
| 67 | 876-465 | NYLON NUT M4 | 1 | |
| 68 | 949-453 | SPRING WASHER M4 (10 PCS.) | 1 | |
| 69 | 877-392Z | MAGAZINE BASE | 1 | |
| 70 | 876-550 | SLEEVE | 1 | |
| 71 | 949-824 | HEX. SOCKET HD. BOLT M5X45 (10 PCS.) | 1 | |
| 72 | 949-662 | HEX. SOCKET HD. BOLT M5X25 (10 PCS.) | 2 | |
| 73 | 949-424 | WASHER M5 (10 PCS.) | 2 | |
| 74 | 877-396Z | STOP LEVER | 1 | |
| 75 | 877-398 | COLLAR | 1 | |
| 76 | 877-397 | STOPPER SPRING | 1 | |
| 77 | 949-650 | HEX. SOCKET HD. BOLT M4X15 (10 PCS.) | 1 | |
| 78 | 874-820 | PLUNGER O-RING | 1 | |
| 79 | 877-371 | NYLON NUT M5 | 3 | |
| 81 | 877-403 | MAGAZINE ASS'Y | 1 | INCLUD.44,67-71,74-77,79 |
| * 83 | 878-184 | WARNING LABEL | 1 | |
| * 84 | 878-183 | WARNING LABEL | 1 | FOR EUROPE |
| | | | | |
| | | | | |
| | | | | |
| | | | | |
| | | | | |
| | | | | |
| | | | | |
| | | | | |
| | | | | |
| | | | | |
| | | | | |
| | | | | |
| | | | | |
| | | | | |
| | | | | |
| | | | | |
| | | | | |
| | | | | |
| | | | | |
| | | | | |
| | | | | |
| | | | | |

STANDARD ACCESSORIES

NR 83A

| ITEM NO. | CODE NO. | DESCRIPTION | NO. USED | REMARKS |
|----------|----------|---------------------------------|----------|------------|
| 500 | 872-422 | HEX. BAR WRENCH 6MM | 1 | |
| 501 | 944-459 | HEX. BAR WRENCH 5MM | 1 | |
| 502 | 944-458 | HEX. BAR WRENCH 4MM | 1 | |
| 503A | 875-769 | EYE PROTECTOR | 1 | |
| * 504 | 877-153 | PNEUMATIC TOOL LUBRICANT (30CC) | 1 | FOR EUROPE |
| 505 | 882-413 | CAUTION TAG | 1 | |
| 506 | 882-414 | LEAFLET | 1 | |
| | | | | |
| | | | | |
| | | | | |
| | | | | |
| | | | | |
| | | | | |
| | | | | |
| | | | | |
| | | | | |
| | | | | |
| | | | | |
| | | | | |
| | | | | |
| | | | | |
| | | | | |
| | | | | |

OPTIONAL ACCESSORIES

| ITEM NO. | CODE NO. | DESCRIPTION | NO. USED | REMARKS |
|----------|----------|------------------------------|----------|------------------------|
| 601 | 877-375 | PISTON (H) | 1 | (HIGH SPEED STEEL TIP) |
| 602 | 876-762 | SEQUENTIAL TRIP MECHNISM SET | 1 | |
| 603 | 317-918 | GREASE(ATTOLUB NO.2)500G | 1 | |
| | | | | |
| | | | | |
| | | | | |
| | | | | |
| | | | | |
| | | | | |
| | | | | |
| | | | | |
| | | | | |
| | | | | |
| | | | | |
| | | | | |
| | | | | |
| | | | | |
| | | | | |
| | | | | |
| | | | | |
| | | | | |
| | | | | |
| | | | | |

SUBJECT: CHANGE OF MAGAZINE BASE, MODEL NR83A

ISSUED ON: 11/20/2003
ISSUED BY HITACHI KOKI CO., LTD.

1. SUMMARY:

MAGAZINE BASE IS CHANGED TO SEPARATE PARTS (MAGAZINE, HANDLE ARM (B), HEX. SOCKET HD. BOLT M6X12 AND NYLON NUT M6).

2. REASON FOR CHANGE:

SALES EFFICIENCY

3. CHANGED PARTS LIST NO:

| | | | | | | | | | | | | |
|----------------|-------|--|--|--|--|--|--|--|--|--|--|--|
| MODEL NAME | NR83A | | | | | | | | | | | |
| PARTS LIST NO. | 1025 | | | | | | | | | | | |

4. AFFECTED PARTS:

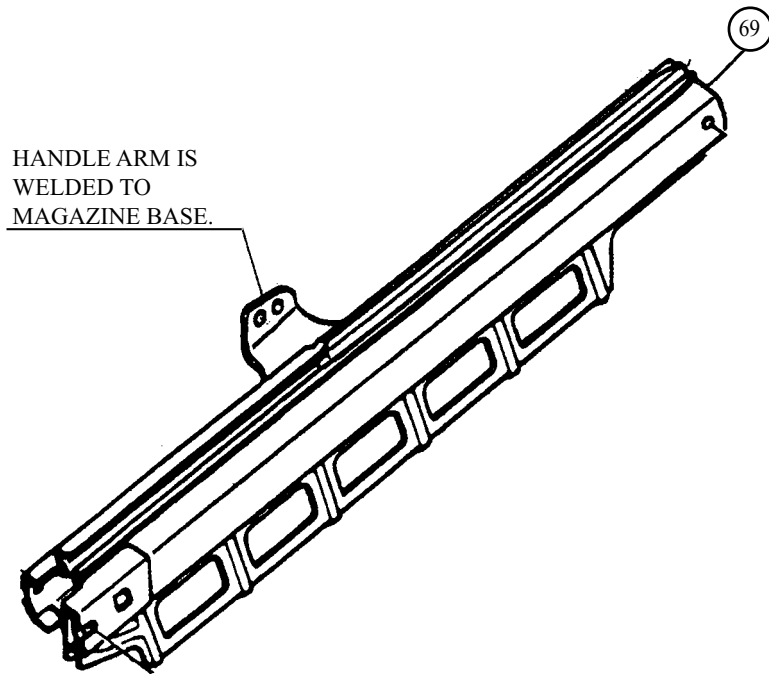
| MODEL NAME | (A) BEFORE CHANGE (THROUGH OCT. 2003) | | | | | | INTER-CHANGE-ABILITY | (B) AFTER CHANGE (SINCE NOV. 2003) | | | | |
|------------|---|----------|--|-----------|----------|-----|----------------------|--------------------------------------|---|-----------|--|---------|
| | ITEM NO. | CODE NO. | PART NAME | UNIT PCS. | *SU-PPLY | | | ITEM NO. | CODE NO. | PART NAME | UNIT PCS. | REMARKS |
| NR83A | 69 | 877392Z | MAGAZINE BASE | 1 | D | <=> | 69A | 884065 | MAGAZINE | 1 | | |
| | | | | | | | 88 | 884571 | HANDLE ARM (B) | 1 | | |
| | | | | | | | 89 | 949657 | HEX. SOCKET HD. BOLT M6X12 (10 PCS.) | 2 | | |
| | | | | | | | 90 | 963837 | NYLON NUT M6 | 2 | | |
| | 81 | 877403 | MAGAZINE ASS'Y (INCLUD. 44, 67-71, 74-77, 79) | 1 | D | <=> | 81A | 884570 | MAGAZINE ASS'Y | 1 | INCLUD. 44, 67, 68, 69A, 70, 71, 74-77, 79, 88-90 | |
| | | | | | | | | | | | | |
| | | | | | | | | | | | | |
| | | | | | | | | | | | | |
| | | | | | | | | | | | | |
| | | | | | | | | | | | | |
| | | | | | | | | | | | | |
| | | | | | | | | | | | | |
| | | | | | | | | | | | | |
| | | | | | | | | | | | | |

| | | |
|---------------------|---|--|
| INTER-CHANGEABILITY | (A) <=> (B): INTERCHANGEABLE (A) <= (B): (B) CAN BE A SUBSTITUTE FOR (A) | (A) -X- (B): NOT INTERCHANGEABLE (A) ==> (B): (A) CAN BE A SUBSTITUTE FOR (B) |
|---------------------|---|--|

* SUPPLY "C": "CONTINUED". "D": "DISCONTINUED" APPLIES ONLY TO THE SUBJECT MODEL(S). THE INDICATED PART MAY STILL BE SUPPLIED FOR OTHER APPLICABLE MODELS. (SEE "INTERCHANGEABILITY LIST".)

5. ILLUSTRATION OF CHANGE:

(A) BEFORE CHANGE

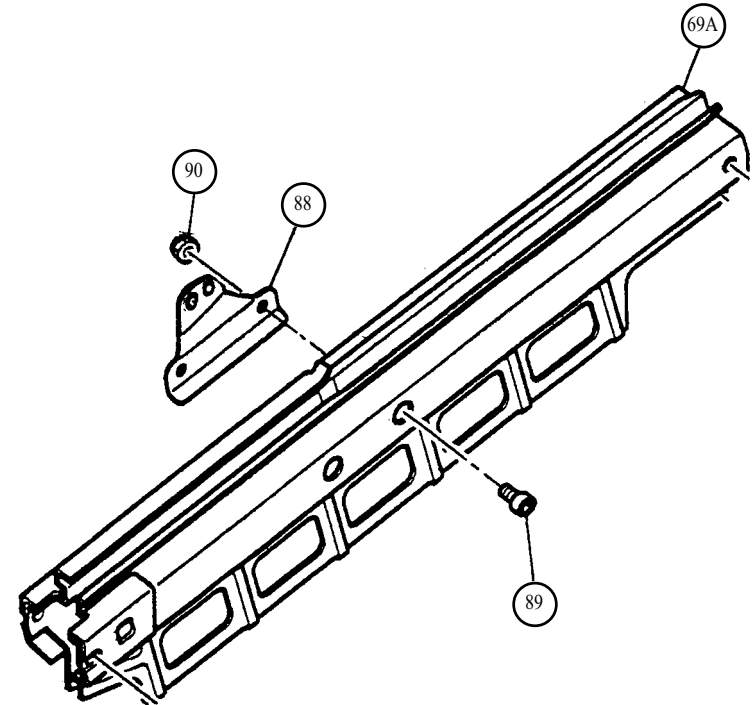


HANDLE ARM IS
WELDED TO
MAGAZINE BASE.

81

| | | | | |
|----|----|----|----|----|
| 44 | 67 | 68 | 69 | 70 |
| 71 | 74 | 75 | 76 | 77 |
| 79 | | | | |

(B) AFTER CHANGE



81A

| | | | | |
|----|----|----|-----|----|
| 44 | 67 | 68 | 69A | 70 |
| 71 | 74 | 75 | 76 | 77 |
| 79 | 88 | 89 | 90 | |