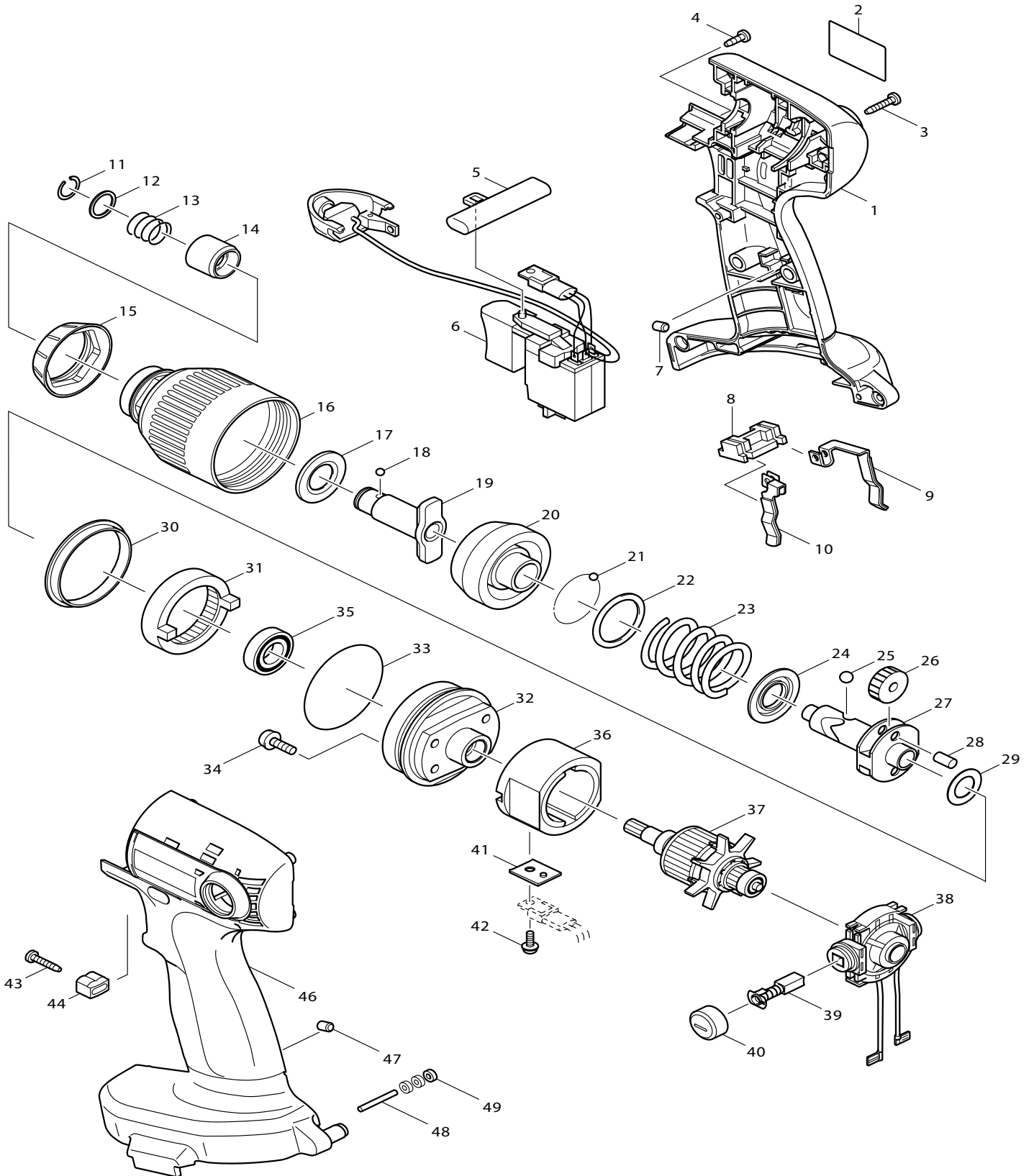




10-2006  
6936FDWDE  
18V IMPACT DRIVER KIT W/LIGHT



<b>Item#</b>	<b>Part#</b>	<b>Description</b>	<b>Q' ty</b>	<b>Unit</b>
1	188078-4	HOUSING SET	1	SET
3	266130-9	TAPPING SCREW BIND PT 3X16	8	PC.
4	266007-8	TAPPING SCREW BIND PT 3X10	1	PC.
5	416079-5	F/R CHANGE LEVER	1	PC.
6	638437-7	SWTCH UNIT	1	PC.
7	263024-9	RUBBER PIN 4	1	PC.
8	687085-9	HOLDER	1	PC.
9	654253-9	SPRING TERMINAL (+)	1	PC.
10	654254-7	SPRING TERMINAL (-)	1	PC.
11	231951-8	RING SPRING 11	1	PC.
12	267085-1	FLAT WASHER 12	1	PC.
13	233005-7	COMPRESSION SPRING 13	1	PC.
14	324420-7	SLEEVE	1	PC.
15	421847-3	BAMPER	1	PC.
16	153808-2	HAMMER CASE COMPLETE	1	PC.
17	261108-7	NYLON WASHER 14	1	PC.
18	216001-0	STEEL BALL 3.5	2	PC.
19	324432-0	ANVIL M	1	PC.
20	324359-4	HAMMER	1	PC.
21	216001-0	STEEL BALL 3.5	24	PC.
22	267175-0	FLAT WASHER 24	1	PC.
23	233381-9	COMPRESSION SPRING 25	1	PC.
24	267766-7	CUP WASHER 14	1	PC.
25	216011-7	STEEL BALL 5.6	2	PC.
26	226336-1	SPUR GEAR 22	2	PC.
27	324220-5	SPINDLE	1	PC.
28	256253-1	PIN 5	2	PC.
29	267212-0	FLAT WASHER 12	1	PC.
30	257254-2	RING 41	1	PC.
31	227112-6	INTERNAL GEAR 51	1	PC.
32	211150-8	BALL BEARING 6901ZZ	1	PC.
33	213620-3	O RING 46	1	PC.
34	911516-9	PAN HEAD SCREW Mx12	4	PC.
35	158079-6	INTERNAL GEAR CASE INC. ITEM 32	1	PC.
36	638155-7	YOKE UNIT	1	PC.
37	619179-2	ARMATURE	1	PC.
38	638156-5	ENDBELL COMPLETE	1	PC.

<b>Item#</b>	<b>Part#</b>	<b>Description</b>	<b>Q' ty</b>	<b>Unit</b>
39	193466-2	CARBON BRUSH CB-434	1	SET
40	643933-2	BRUSH HOLDER CAP	2	PC.
41	689096-0	FET SPACER	1	PC.
42	266170-7	TAPPING SCREW ST3X8	1	PC.
43	266130-9	TAPPING SCREW BIND PT 3X16	1	PC.
44	313118-1	STOPPER	1	PC.
47	263024-9	RUBBER PIN 4	1	PC.
48	256252-3	PIN 3	1	PC.
49	262117-9	URETHANE RING 3	1	

### **ACCESSORIES**

A01	324362-5	HOOK	1	PC.
A02	414938-7	BATTERY COVER	2	PC.
A03	DC1804	DC1804 BATTERY CHARGER	1	PC.
A04	193159-1	18V NI-HI BATTERY 1834 2.6AH	2	PC.
A05	824763-2	PLASTIC CARRYING CASE	1	PC.

