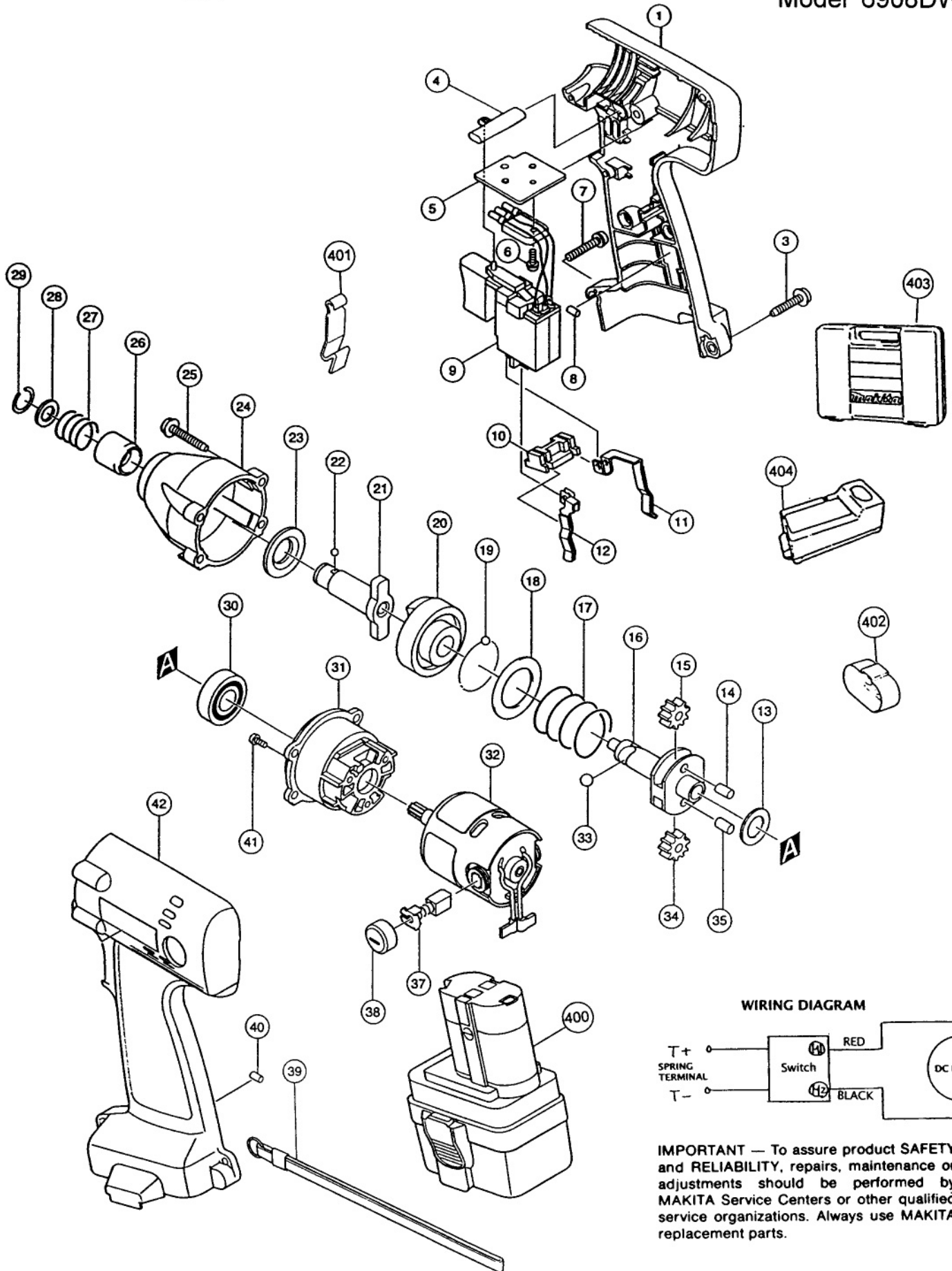


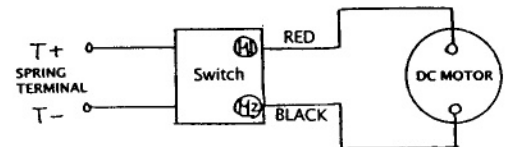


# CORDLESS IMPACT DRIVER

Model 6908D  
Model 6908DWA



### WIRING DIAGRAM



**IMPORTANT** — To assure product **SAFETY** and **RELIABILITY**, repairs, maintenance or adjustments should be performed by **MAKITA** Service Centers or other qualified service organizations. Always use **MAKITA** replacement parts.

Fig.	Part No.	Qty. Used	Description	Fig.	Part No.	Qty. Used	Description
1	182930-8	1	HOUSING Set (Incl. Fig. 42)	27	233005-7	1	COMPRESSION SPRING 13
3	265995-6	7	TAPPING SCREW 4x18	28	267085-1	1	FLAT WASHER 12
4	416079-5	1	F/R CHANGE LEVER	29	231951-8	1	RING SPRING 11
5	689070-8	1	RADIATING PLATE	30	211101-1	1	BALL BEARING 6001LLB
6	911006-2	1	P.H. SCREW M3x8	31	416313-3	1	INTERNAL GEAR CASE
7	911143-2	1	P.H.SCREW M4x22	32	629710-6	1	DC MOTOR (Incl. Fig. 37-38, 1ea. 226337-9 Spur Gear 7, & 2ea. 654069-2 Receptacle)
8	263002-9	1	RUBBER PIN 4				
9	651939-6	1	SWITCH	33	216011-7	2	STEEL BALL 5.6
10	687085-9	1	HOLDER	34	226336-1	1	SPUR GEAR 22
11	654168-0	1	SPRING TERMINAL (+)	35	256253-1	1	PIN 5
12	654169-8	1	SPRING TERMINAL (-)	37	191966-6	1	CARBON BRUSH Set (CB-424)
13	253744-3	1	FLAT WASHER 12	38	643933-2	2	HOLDER CAP
14	256253-1	1	PIN 5	39	163319-9	1	HAND STRAP
15	226336-1	1	SPUR GEAR 22	40	263002-9	1	RUBBER PIN 4
16	322958-6	1	SPINDLE	41	266166-8	3	TAPPING SCREW CT 3x8
17	233193-0	1	COMPRESSION SPRING 24	42	182930-8	1	HOUSING SET (Incl. Fig. 1)
18	267148-3	1	FLAT WASHER 23				
19	216008-6	21	STEEL BALL 4				
20	322957-8	1	HAMMER	<b>ACCESSORIES</b>			
21	322754-2	1	ANVIL	400	192596-6	1	HIGH CAPACITY BATTERY 9122
22	216001-0	2	STEEL BALL 3.5	401	343579-1	1	SET PLATE
23	261108-7	1	NYLON WASHER 14	402	414938-7	1	BATTERY COVER
24	152555-2	1	HAMMER CASE cpl.	403	824489-6	1	PLASTIC CARRYING CASE
25	265999-8	4	T. SCREW FLANGE 4x25	404	DC1410	1	FAST CHARGER
26	322434-0	1	SLEEVE				