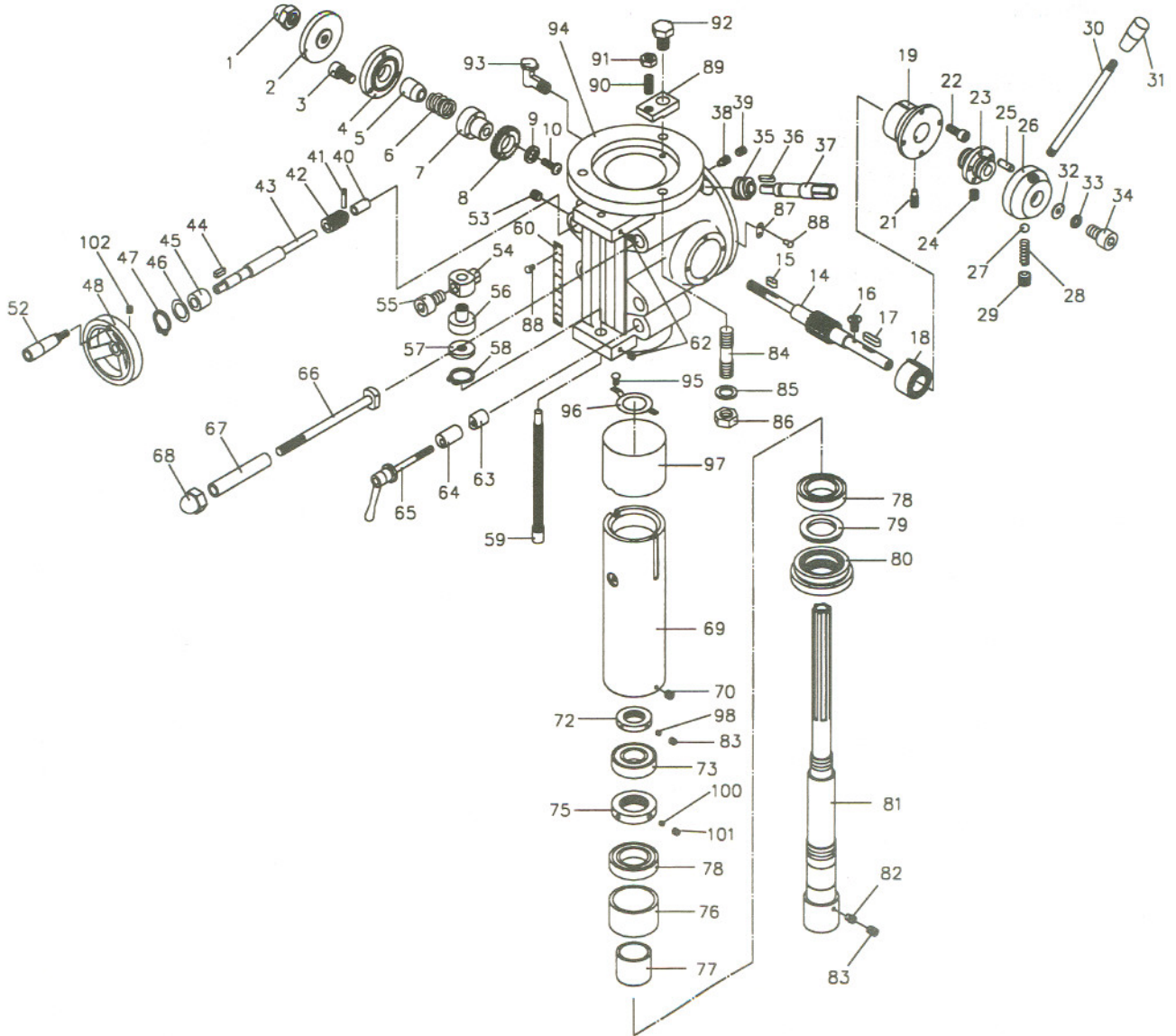


Head Assembly



Parts List for JVM-836
Head Assembly

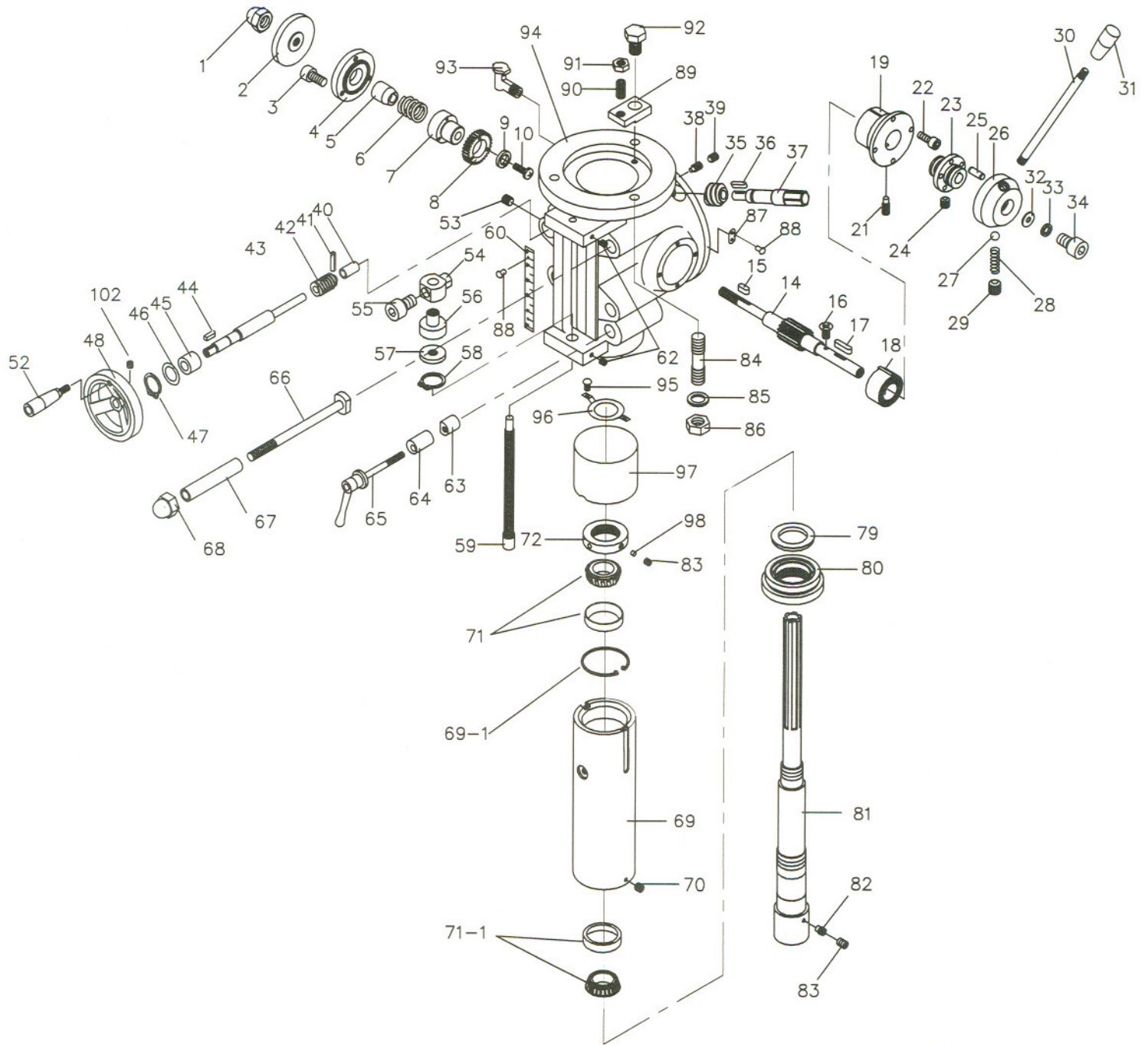
Note: Some index numbers in this parts list have two part numbers. If your milling machine has the serial number 0040050 and higher, use the part numbers ending with a "T". If your milling machine has the serial number xxx0049 and lower, use the part number without the letter "T".

Index No.	Part No.	Description	Size	Qty.
1	JVM836-01	Castle Nut	M12	1
2	JVM836-02	Lock Nut		1
3	TS-1523041	Hex Socket Cap Screw	M6x12	3
4	JVM836-04	Cover		1
5	JVM836-05	Taper Sleeve		1
6	JVM836-06	Spring		1
7	JVM836-07	Transmission Sleeve		1
8	JVM836-08	Worm Gear		1
	JVM836-08T	Worm Gear		1
9	JVM836-09	Spring Washer	M4	3
10	JVM836-10	Cross Round Head Screw	M4x16	3
14	JVM836-14	Shaft		1
	JVM836-14T	Shaft		1
15	JVM836-15	Key	5x5x20	1
16	JVM836-16	Cross Flat Head Screw	M5x6	1
17	JVM836-17	Whitney Key		1
18	JVM836-18	Volume Spring		1
	JVM836-18T	Volume Spring		1
19	JVM836-19	Spring Bracket		1
21	TS-1524011	Set Screw	M8x8	1
22	TS-1514021	Hex Socket Cap Screw	M6x15	4
23	JVM836-23	Transmission Sleeve		1
24	TS-1524011	Set Screw	M8x8	1
25	JVM836-25	Round Pin		1
26	JVM836-26	Handle Base		1
	JVM836-26T	Handle Base		1
	JVM836-26TA	New Handle Assembly (Include:#26,30,31)		1
27	JVM836-27	Steel Ball	Ø6	1
28	JVM836-28	Spring		1
29	TS-1524011	Set Screw	M8x8	1
30	JVM836-30	Rocket Rod		1
	JVM836-30T	Rocket Rod		1
31	JVM836-31	Knob		1
	JVM836-31T	Knob		1
32	JVM836-32	Flat Washer	M8	1
33	JVM836-33	Spring Washer	M8	1
34	JVM836-34	Hex Socket Cap Screw	M8x16	1
35	JVM836-35	Worm		1
	JVM836-35T	Worm		1
36	JVM836-36	Whitney Key	4x4x16	1
37	JVM836-37	Worm Shaft		1
38	JVM836-38	Full Dog Point Set Screw	M5x6	1
39	TS-1522011	Set Screw	M5x6	1
40	JVM836-40	Bushing		1

.....	JVM836-40T	Bushing		1
41	JVM836-41	Spring Pin	Ø3x14	1
42	JVM836-42	Worm		1
.....	JVM836-42T	Worm		1
43	JVM836-43	Shaft		1
.....	JVM836-43T	Shaft		1
44	JVM836-44	Flat Key	4x4x12	1
45	JVM836-45	Bushing		1
.....	JVM836-45T	Bushing		1
46	JVM836-46	Spacer		1
47	JVM836-47	C-Retaining Ring		1
48	JVM836-48	Wheel		1
52	JVM836-52	Hand Grip		1
53	TS-1523041	Set Screw	M6x10	1
54	JVM836-54	Locating Block		1
55	JVM836-55	Hex Socket Cap Screw	M8x12	1
56	JVM836-56	Graduated Ring		1
57	JVM836-57	Graduated Tight Nut		1
58	JVM836-58	C-Retaining Ring		1
59	JVM836-59	Screw		1
60	JVM836-60	Graduated Scale		1
62	TS-1524011	Set Screw	M8x8	2
63	JVM836-63	Tight Collar		1
64	JVM836-64	Tight Collar		1
65	JVM836-65	Flexible Handle		1
66	JVM836-66	T-Head Bolt		4
67	JVM836-67	Sleeve Pipe		4
68	JVM836-68	Castle Nut		4
69	JVM836-69	Rack Sleeve		1
.....	JVM836-69T	Rack Sleeve		1
70	JVM836-70	Cone point Set Screw	M5x5	1
72	JVM836-72	Nut		1
.....	JVM836-72T	Nut		1
.....	JVM836-72TA	Nut Assembly (Include #72,83,98)		1
73	BB6206	Ball Bearing	6206	1
74	JVM836-74	Cross Flat Head Screw	M5x10	1
75	JVM836-75	Nut		1
.....	JVM836-75T	Nut		1
.....	JVM836-75TA	Nut Assembly (Include #100,101)		1
76	JVM836-76	Spacer		1
77	JVM836-77	Spacer		1
78	ABB7008	Angular Ball Bearing	7008	2
79	JVM836-79	Protection Ring		1
80	JVM836-80	Protection Cover		1
.....	JVM836-80T	Protection Cover		1
81	JVM836-81	Spindle Shaft		1
82	JVM836-82	Full Dog Point Set Screw	M5x6	1
83	TS-1522011	Set Screw	M5x6	3
84	JVM836-84	Stud	M12x50	3
85	TS-1550081	Flat Washer	M12	3
86	TS-1540081	Hex. Nut	M12	3
87	JVM836-87	Limit Plate		1
88	JVM836-88	Rivet	Ø2	5
89	JVM836-89	Stop Block		1
90	TS-1523041	Set Screw	M6x12	1
91	TS-1540041	Hex. Nut	M6	1

92 TS-41490011	Hex. Screw	M8x12	1
93 JVM836-93	Oil Can	1/16"PS	1
94 JVM836-94	Head Body	1
 JVM836-94T	Head Body	1
95 JVM836-95	Cross Round Cap Screw	M5x6	2
96 JVM836-96	Plate	1
97 JVM836-97	Cover	1
98 JVM836-98	Aluminum Block	Ø4X3	2
100 JVM836-100	Aluminum Block	Ø6X3	2
101 JVM836-101	Set Screw	M8x8	2
102 JVM836-102	Set Screw	M5x6	1

Head Assembly
Used with Serial Number 0050104 and Higher



Head Assembly

Used with Serial Number 0050104 and Higher

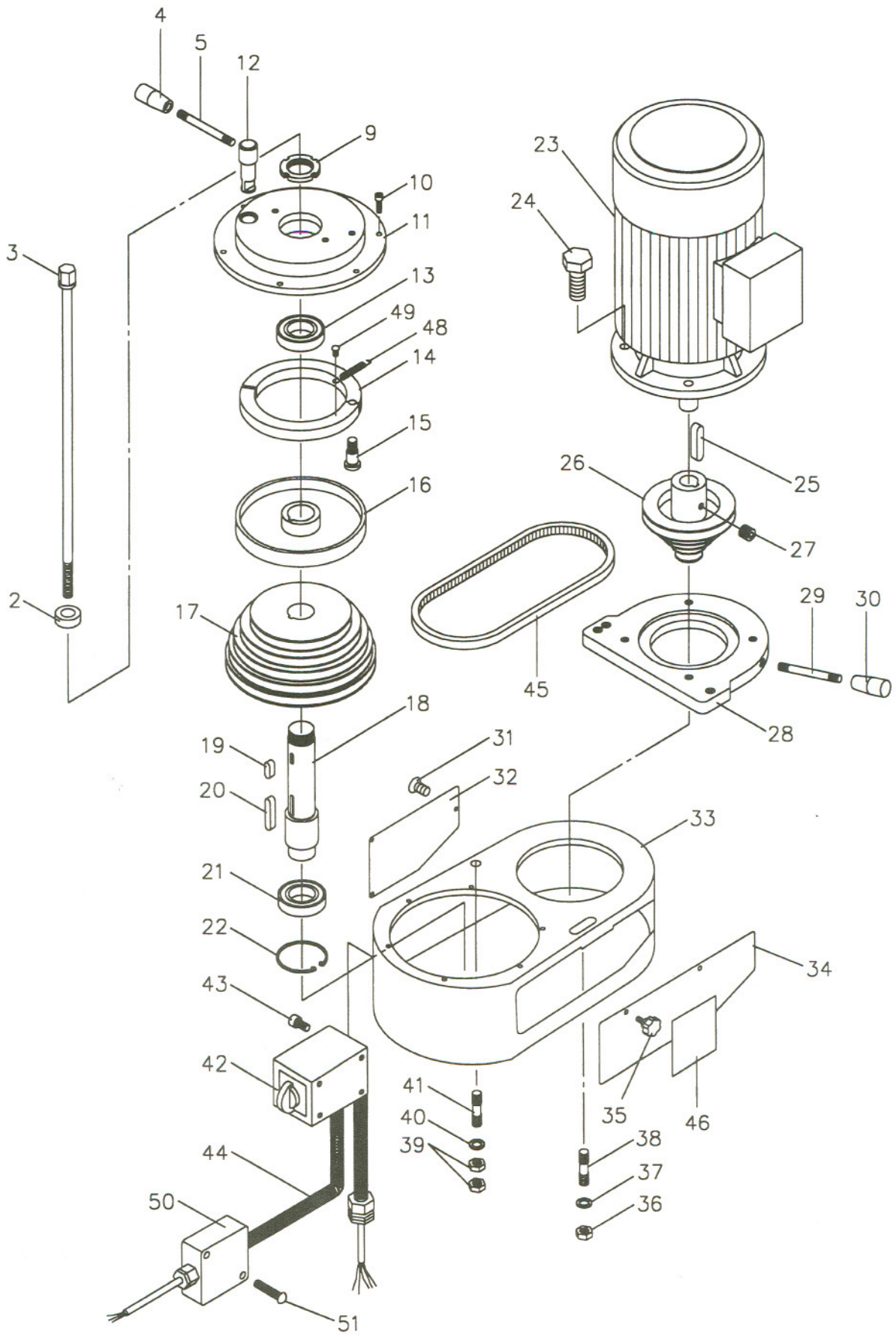
Note: Some index numbers in this parts list have two part numbers. If your milling machine has the serial number 0040050 and higher, use the part numbers ending with a "T". If your milling machine has the serial number xxx0049 and lower, use the part number without the letter "T".

Index No.	Part No.	Description	Size	Qty.
1	JVM836-01	Castle Nut	M12	1
2	JVM836-02	Lock Nut		1
3	TS-1523041	Hex Socket Cap Screw	M6x12	3
4	JVM836-04	Cover		1
5	JVM836-05	Taper Sleeve		1
6	JVM836-06	Spring		1
7	JVM836-07	Transmission Sleeve		1
8	JVM836-08	Worm Gear		1
	JVM836-08T	Worm Gear		1
9	JVM836-09	Spring Washer	M4	3
10	JVM836-10	Cross Round Head Screw	M4x16	3
14	JVM836-14	Shaft		1
	JVM836-14T	Shaft		1
15	JVM836-15	Key	5x5x20	1
16	JVM836-16	Cross Flat Head Screw	M5x6	1
17	JVM836-17	Whitney Key		1
18	JVM836-18	Volume Spring		1
	JVM836-18T	Volume Spring		1
19	JVM836-19	Spring Bracket		1
21	TS-1524011	Set Screw	M8x8	1
22	TS-1514021	Hex Socket Cap Screw	M6x15	4
23	JVM836-23	Transmission Sleeve		1
24	TS-1524011	Set Screw	M8x8	1
25	JVM836-25	Round Pin		1
26	JVM836-26	Handle Base		1
	JVM836-26T	Handle Base		1
	JVM836-26TA	New Handle Assembly (Include:#26,30,31)		1
27	JVM836-27	Steel Ball	Ø6	1
28	JVM836-28	Spring		1
29	TS-1524011	Set Screw	M8x8	1
30	JVM836-30	Rocket Rod		1
	JVM836-30T	Rocket Rod		1
31	JVM836-31	Knob		1
	JVM836-31T	Knob		1
32	JVM836-32	Flat Washer	M8	1
33	JVM836-33	Spring Washer	M8	1
34	JVM836-34	Hex Socket Cap Screw	M8x16	1
35	JVM836-35	Worm		1
	JVM836-35T	Worm		1
36	JVM836-36	Whitney Key	4x4x16	1
37	JVM836-37	Worm Shaft		1
38	JVM836-38	Full Dog Point Set Screw	M5x6	1

39	TS-1522011	Set Screw	M5x6	1
40	JVM836-40	Bushing		1
	JVM836-40T	Bushing		1
41	JVM836-41	Spring Pin	Ø3x14	1
42	JVM836-42	Worm		1
	JVM836-42T	Worm		1
43	JVM836-43	Shaft		1
	JVM836-43T	Shaft		1
44	JVM836-44	Flat Key	4x4x12	1
45	JVM836-45	Bushing		1
	JVM836-45T	Bushing		1
46	JVM836-46	Spacer		1
47	JVM836-47	C-Retaining Ring		1
48	JVM836-48	Wheel		1
52	JVM836-52	Hand Grip		1
53	TS-1523041	Set Screw	M6x10	1
54	JVM836-54	Locating Block		1
55	JVM836-55	Hex Socket Cap Screw	M8x12	1
56	JVM836-56	Graduated Ring		1
57	JVM836-57	Graduated Tight Nut		1
58	JVM836-58	C-Retaining Ring		1
59	JVM836-59	Screw		1
60	JVM836-60	Graduated Scale		1
62	TS-1524011	Set Screw	M8x8	2
63	JVM836-63	Tight Collar		1
64	JVM836-64	Tight Collar		1
65	JVM836-65	Flexible Handle		1
66	JVM836-66	T-Head Bolt		4
67	JVM836-67	Sleeve Pipe		4
68	JVM836-68	Castle Nut		4
69	JVM836-69	Rack Sleeve		1
	JVM836-69T	Rack Sleeve		1
69-1	JVM836-69T-1	C-Clip	R62	1
70	JVM836-70	Cone point Set Screw	M5x5	1
71	JVM836-71	Taper Roller Bearing	30206	1
71-1	JVM836-71-1	Taper Roller Bearing	32008	1
72	JVM836-72	Nut		1
	JVM836-72T	Nut		1
	JVM836-72TA	Nut Assembly (Include #72,83,98)		1
74	JVM836-74	Cross Flat Head Screw	M5x10	1
79	JVM836-79	Protection Ring		1
80	JVM836-80	Protection Cover		1
	JVM836-80T	Protection Cover		1
81	JVM836-81	Spindle Shaft		1
82	JVM836-82	Full Dog Point Set Screw	M5x6	1
83	TS-1522011	Set Screw	M5x6	3
84	JVM836-84	Stud	M12x50	3
85	TS-1550081	Flat Washer	M12	3
86	TS-1540081	Hex. Nut	M12	3
87	JVM836-87	Limit Plate		1
88	JVM836-88	Rivet	Ø2	5
89	JVM836-89	Stop Block		1
90	TS-1523041	Set Screw	M6x12	1
91	TS-1540041	Hex. Nut	M6	1
92	TS-41490011	Hex. Screw	M8x12	1
93	JVM836-93	Oil Can	1/16"PS	1

94	JVM836-94	Head Body	1
	JVM836-94T	Head Body	1
95	JVM836-95	Cross Round Cap Screw	M5x6 2
96	JVM836-96	Plate	1
97	JVM836-97	Cover	1
98	JVM836-98	Aluminum Block	Ø4X3 2
102	JVM836-102	Set Screw	M5x6 1

Upper Head Assembly

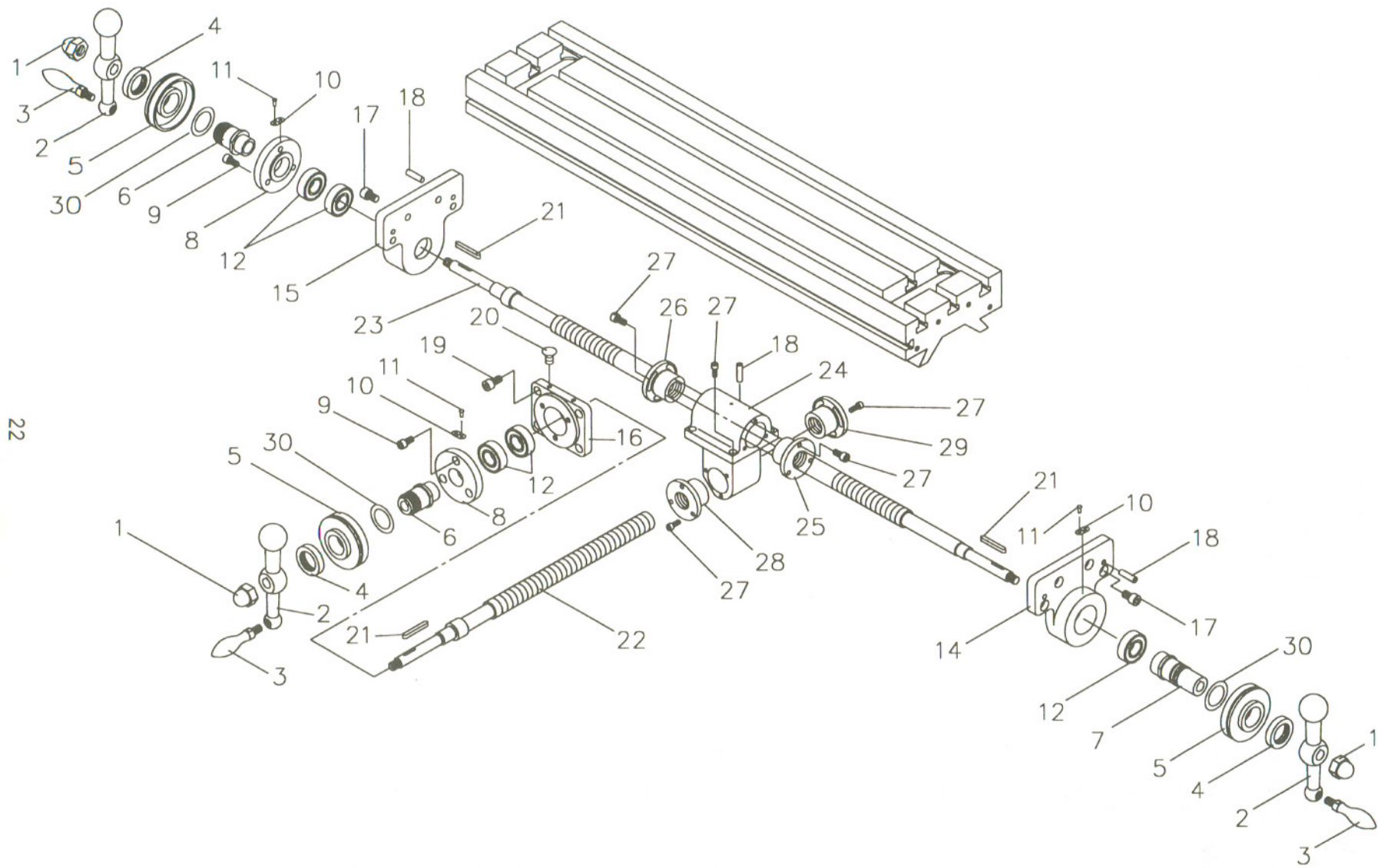


Upper Head Assembly

Note: Some index numbers in this parts list have two part numbers. If your milling machine has the serial number 0040050 and higher, use the part numbers ending with a "T". If your milling machine has the serial number xxx0049 and lower, use the part number without the letter "T".

Index No.	Part No.	Description	Size	Qty.
2	VM-G22-1	Spacer		1
3	VM-G22	Draw Bar		1
4	VM-M3-1	Knob		1
	VM-M3-1T	Knob		1
5	VM-M3-3	Break Handle		1
	VM-M3-3T	Break Handle		1
9	VM-M11-1	Jam Nut		1
10	TS-1514021	Hex Socket Cap Screw	M6x16	6
11	VM-M4	Fixed Cover		1
	VM-M4T	Fixed Cover		1
12	VM-M3-5	Brake Rod		1
	VM-M3-5T	Brake Rod		1
13	BB6007ZZ	Ball Bearing	6007ZZ	1
14	VM-M2	Brake		1
	VM-M2T	Brake		1
	VM-M2TA	Brake Assembly (Include #14,15,48,49)		1
15	VM-M1	Screw		1
	VM-M1T	Screw		1
16	VM-M6	Brake Disc		1
17	VM-M8	Pulley		1
18	VM-M11	Spindle Shaft		1
19	VM-M7	Whitney Key	6x6x16	1
20	VM-M9	Whitney Key	6X6X32	1
21	BB6007ZZ	Ball Bearing	6007ZZ	1
22	VM-M5	C-Retaining Ring	Ø62	1
23	VM-M25	Motor	(1-1/2HP 1 PH)	1
	VM-M25-3Ph	Motor	(1-1/2HP 3 PH)	1
24	VM-M21	Hex. Head Screw	M10x25	4
25	VM-M25-1	Flat Key	8x7x36	1
26	VM-M19	Pulley		1
27	TS-1524011	Set Screw	M8x8	1
28	VM-M20	Motor Cover		1
	VM-M20T	Motor Cover		1
29	VM-M3	Rod		1
	VM-M3T	Rod		1
30	VM-M3-1	Knob		1
	VM-M3-1T	Knob		1
31	JVM836-31B	Cross Flat Head Screw	M6x6	3
32	VM-M12-2	Cover		1
33	VM-M12	Pulley Housing		1
34	VM-M12-1	Cover		1
35	VM-DM85	Screw		2
36	TS-1540081	Hex. Nut	M12	1
37	TS-1550081	Flat Washer	M12	1
38	VM-M23-1	Stud	M12x50	1

39	TS-1540081	Hex. Nut	M12	2
40	TS-1550081	Flat Washer	M12	1
41	VM-M23-1	Stud	M12x50	1
42	JVM836-42B	Switch Assembly (1Ph)		1
	JVM836-42-3Ph	Switch Assembly (3Ph)		1
43	JVM836-43B	Hex Socket Cap Screw	M6x8	4
44	JVM836-44B	Switch Cord (4C,1Ph)		1
	JVM836-44-3Ph	Switch Cord (6C,3Ph)		1
45	VB-A29	Belt	A29	1
46	VM-M26	Spindle Speed Chart		1
48	VM-M2-1	Spring		2
49	VM-M2-2	Cross Round Cap Screw		2
50	JVM836-U50	Plastic Electrical Box		1
51	JVM836-U51	Cross Round Cap Screw	M5x40L	2



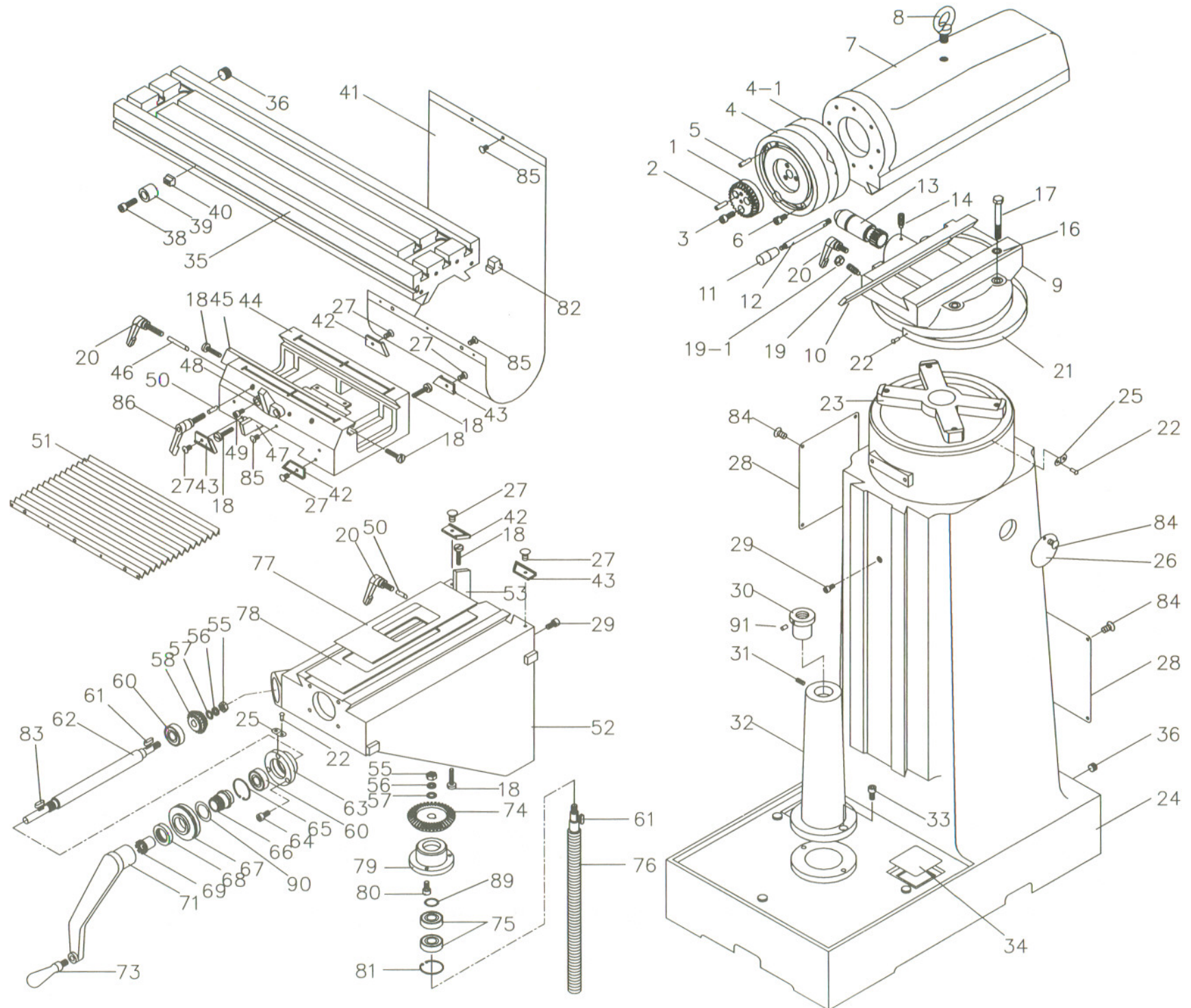
22

Leadscrew Assembly

Lead screw Assembly

Note: Some index numbers in this parts list have two part numbers. If your milling machine has the serial number 0040050 and higher, use the part numbers ending with a "T". If your milling machine has the serial number xxx0049 and lower, use the part number without the letter "T".

Index No.	Part No.	Description	Size	Qty.
1	VM-I1	Castle Nut	M12	3
2	VM-I2	Handle		3
3	VM-I2-1	Ball Handle		3
4	VM-I3	Knurled Nut		3
	VM-I3T	Knurled Nut		3
5	VM-I5	Dial		3
	VM-I5T	Dial		3
6	VM-I24	Dial Holder		2
	VM-I24T	Dial Holder		2
	VM-I24TA	Dial Holder Assembly (Include #4,5,6,30)		1
7	VM-I6	Dial Holder		1
	VM-I6T	Dial Holder		1
	VM-I6TA	Dial Holder Assembly (Include #4,5,7,30)		1
8	VM-I8	Bearing Retaining Cover		2
9	TS-1515011	Hex Socket Cap Screw	M8x16	6
10	VM-M26	Limit Plate		3
11	VM-M26-1	River		6
12	BB6204	Ball Bearing	6204	5
14	VM-I14	Bearing Bracket		1
15	VM-I18	Bearing Bracket		1
16	VM-J11	Bearing Block		1
17	VM-I13	Hex. Socket Screw	M10x16	8
18	VM-I12	Taper Pin	Ø8x130	6
19	TS-1515021	Hex Socket Cap Screw	M8x20	4
20	JVM836-20B	Flat Screw	M6x6	2
21	VM-I4	Whitney Key	3x3x28	3
22	VM-J16	Lead Screw		1
23	VM-I15	Lead Screw		1
24	VM-J28	Feed Nut Bracket		1
25	VM-J26-1	Feed Screw Nut		1
26	VM-J26	Feed Screw Nut		1
27	TS-1514021	Hex. Socket Screw	M6x16	16
28	VM-J25-1	Feed Screw Nut		1
29	VM-J25	Feed Screw Nut		1
30	JVM836-T30	Spacer		3



Base Assembly

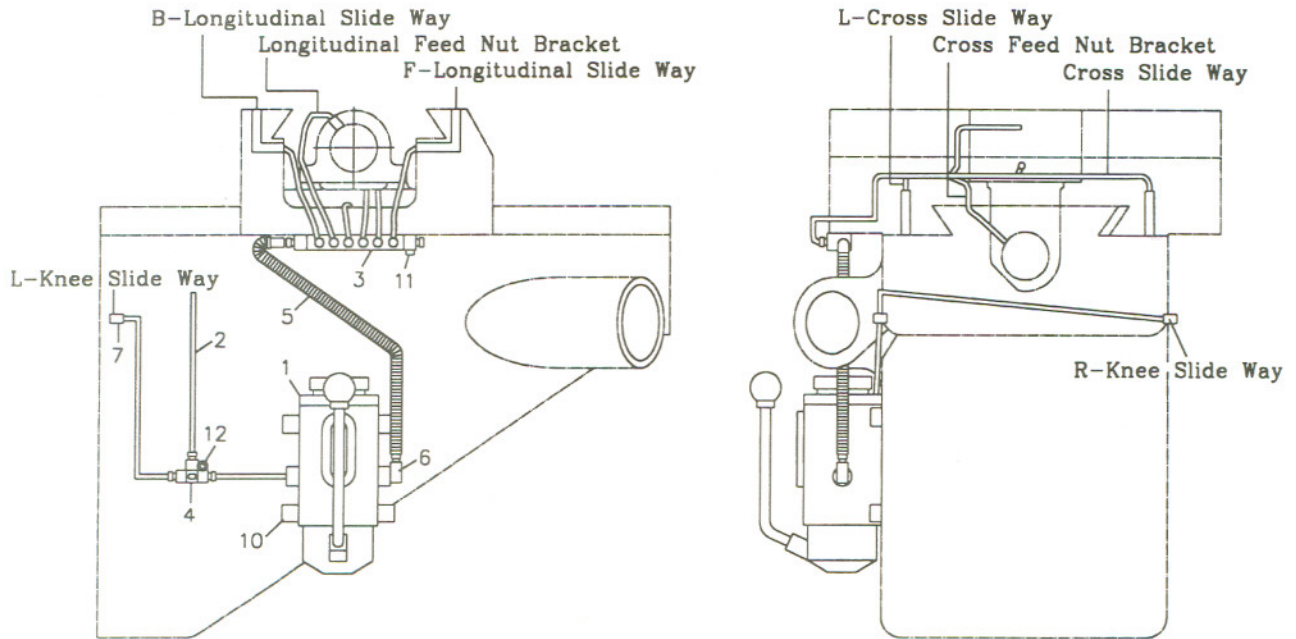
Note: Some index numbers in this parts list have two part numbers. If your milling machine has the serial number 0040050 and higher, use the part numbers ending with a "T". If your milling machine has the serial number xxx0049 and lower, use the part number without the letter "T".

Index No.	Part No.	Description	Size	Qty.
1	VM-L11	Worm Gear		1
	VM-L11T	Worm Gear		1
2	VM-L13	Taper Pin	Ø8x150	1
3	TS-1505031	Hex Socket Cap Screw	M10x25	3
4	VM-L10	Graduation Dial		1
4-1	VM-L10-1	Graduation Dial Plate		1
5	VM-L9	Taper Pin	Ø8x130	2
6	TS-1515011	Hex Socket Cap Screw	M8x16	8
7	VM-L15	Ram		1
8	JVM836-08B	Eye Bolt	M16	1
9	VM-L6	Turret		1
10	VM-L5	Turret Gib		1
11	VM-L1-1	Knob		1
	VM-L1-1T	Knob		1
12	VM-L1	Handle		1
	VM-L1T	Handle		1
13	VM-L3	Pinion Shaft		1
	VM-L3T	Pinion Shaft		1
	VM-L3TA	Pinion Shaft Assembly (Include #11,12,13)		1
14	VM-L2	Full Dog Point Set Screw	M6x12	1
16	TS-1550081	Flat Washer	M12	4
17	VM-K12	Stud (S/N:0040063 & lower)	M12x105	4
	VM-K12N	Stud (S/N:0040064 & higher)	M12x115	4
18	JVM836-18B	Adjustable Screw		6
19	TS-1523021	Set Screw	M6x10	2
19-1	TS-1540041	Hex Nut	M6	2
20	VM-L4	Lock Handle	M10x40	5
21	VM-L7	Graduated Scale		1
22	VM-L7-1	Rivet	Ø2	7
23	VM-K11	Spider Arm		1
24	VM-K9	Base		1
25	VM-K17	Limit plate		2
26	VM-K5	Plate		1
27	JVM836-27B	Cross Flat Screw	M6x6	22
	JVM836-27BT	Cross Round Cap Screw	M5x12	6
28	VM-K13	Plate		2
29	JVM836-29	Hex. Socket Screw	M8x12	2
30	VM-H29	Elevating Nut		1
31	TS-1523051	Set Screw	M6x15	1
32	VM-H30	Elevation Screw Stand		1
33	VM-H30-1	Hex Socket Cap Screw	M10x30	2
34	VM-K2	Strainer Net		2
35	VM-I37	Table		1
36	VM-I40	Oil Plug	3/8"PT	2

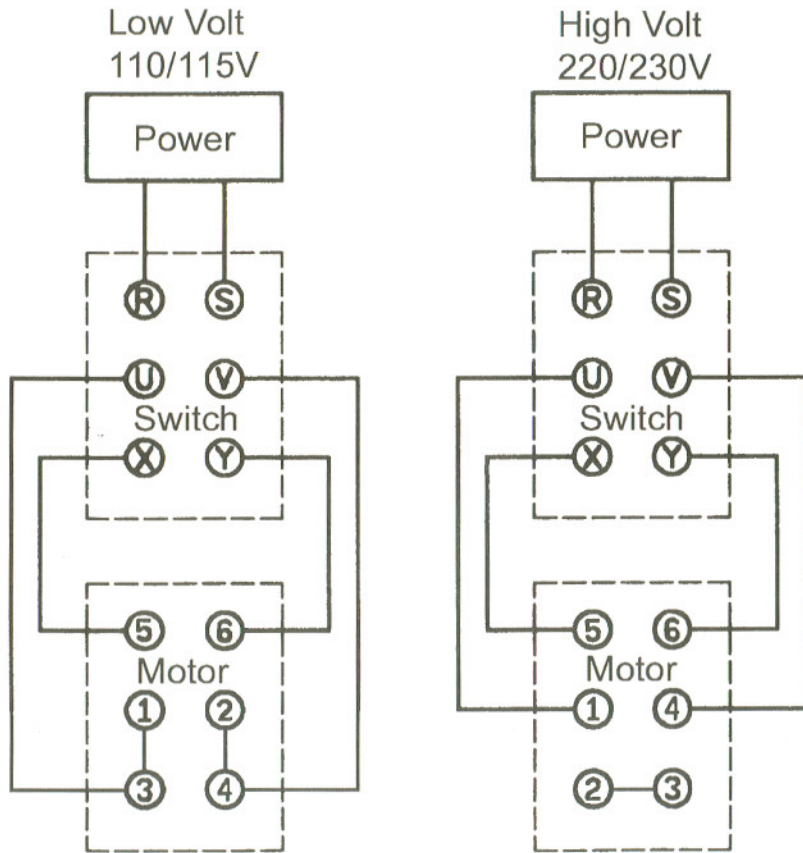
38	VM-I33-2	Hex. Socket Screw	M8x20	2
39	VM-I33	Stop Ring		2
40	VM-I33-1	T-Nut		2
41	VM-C-100	Dust Plastic		1
42	VM-H32	Wiper		3
43	VM-H32-1	Wiper		3
44	VM-J36	Saddle		1
45	VM-I32	Saddle Gib		1
46	VM-J39-1	Shoe		2
47	VM-J20	Saddle Gib		1
48	VM-J30	Table Stop Bracket		1
49	TS-1515021	Hex Socket Cap Screw	M8x20	2
50	VM-J29-1	Shoe		4
51	VM-C-101	Dust Plastic		1
52	VM-H35	Knee		1
53	VM-H34	Knee Gib		1
55	TS-1540081	Hex. Nut	M12	2
56	VM-H19	Spring Washer	M12	2
57	TS-1550081	Flat Washer	M12	2
58	VM-H17	Straight Bevel Gear		1
60	BB6204	Ball Bearing	6204	2
61	VM-H6	Whitney Key	5x5x16	3
62	VM-H12	Shaft		1
	VM-H12T	Shaft		1
63	VM-H11	Bearing Block		1
64	TS-1514021	Hex Socket Cap Screw	M6x16	3
65	VM-H7	C-Retaining Ring	Ø47	1
66	VM-H5	Dial Holder		1
	VM-H5T	Dial Holder		1
	VM-H5TA	Dial Holder Assembly (Include #66,67,68,69,71,90)		1
67	VM-H3	Dial		1
	VM-H3T	Dial		1
68	VM-H2	Knurled Nut		1
	VM-H2T	Knurled Nut		1
69	VM-H4	Clutch Insert		1
	VM-H4T	Clutch Insert		1
71	VM-H1	Hand Lever		1
	VM-H1T	Hand Lever		1
73	VM-H1-3	Hand Grip		1
74	VM-H24	Straight Bevel Gear		1
	VM-H24T	Straight Bevel Gear		1
75	BB6204	Ball Bearing	6204	2
76	VM-H27	Elevating Screw		1
77	VM-J37-1	Upper Chip Guard		1
78	VM-J37	Lower Chip Guard		1
79	VM-H25	Bearing Housing		1
80	TS-1514031	Hex Socket Cap Screw	M6x20	3
81	JVM836-B81	C-Clip	S47	1
82	VM-I39	Rubber T-Nut		6
83	JVM836-B83	Key	3x3x28	1
84	JVM836-B84	Cross Round Cap Screw	M6x10	9
85	JVM836-B85	Cross Round Cap Screw	M6x12	7
86	JVM836-B86	Lock Handle	M10x20	2
89	JVM836-B89	Spacer		1
90	JVM836-B90	Spacer		1
91	JVM836-B91	Oil Block	1/4"	1

One Shot Lubrication System

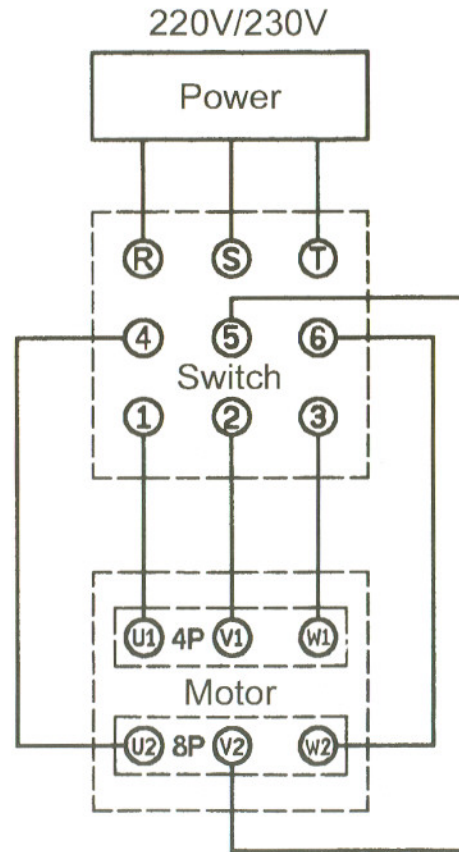
Index No.	Part No.	Description	Size	Qty.
1	JVM836-HP	Hand Oiling Pump		1
2	JVM836-ALMP	Aluminum Pipe		1
3	JVM836-DB	Oil Regulating Distributor		1
4	JVM836-TJ	T-Joint		1
5	JVM836-FST	Flexible Steel Tube		1
6	JVM836-CJ	Check Joint		2
7	JVM836-EJ	Elbow Joint		2
10	TS-1514021	Hex Socket Cap Screw	M6x16	4
11	TS-1503061	Hex Socket Cap Screw	M6x25	2
12	TS-1503061	Hex Socket Cap Screw	M6x25	1



Model No. JVM-836-1
1 Phase Wiring Diagram



Model No. JVM-836-3
3 Phase 4/8 Poles Wiring Diagram



Wiring Diagram