



SERVICE PARTS LIST

BULLETIN NO.
54-44-0536

SPECIFY CATALOG NO. AND SERIAL NO. WHEN ORDERING PARTS		REVISED BULLETIN 54-44-0535	DATE Apr. '93
POWER UNIT			
CATALOG NO.	6851	STARTING SERIAL NO.	758-1856
		WIRING INSTRUCTION 58-01-0020	

EXAMPLE:
Component Parts (Small #)
Are Included When Ordering
The Assembly (Large #).

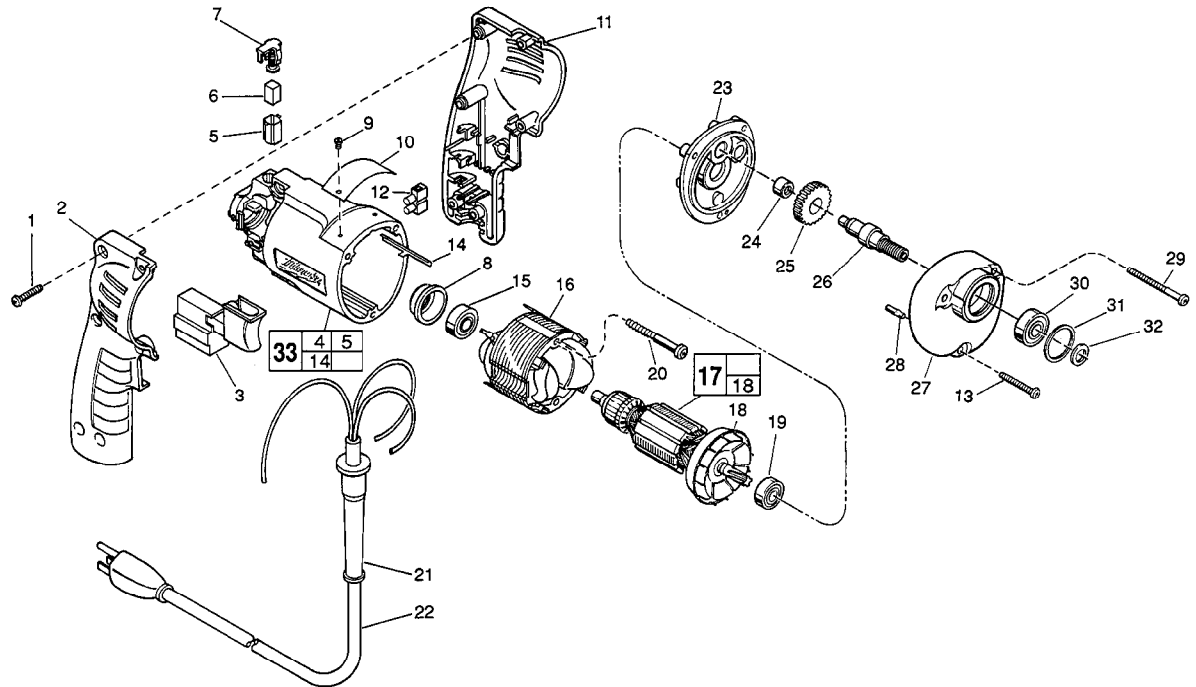


FIG.	PART NO.	DESCRIPTION OF PART	NO. REQ.	FIG.	PART NO.	DESCRIPTION OF PART	NO. REQ.
★ 1	06-82-7284	8-16 x 3/4" Pan Hd. Slit. Plas. T-20	(6)	★ 29	06-82-7344	7-18 x 1-1/2" Pan Hd. Slit. Plast. T-20	(2)
★ 2	31-44-1705	Right Handle Half	(1)	30	02-04-1020	Ball Bearing	(1)
★ 3	23-66-1250	Speed Control Switch	(1)	31	34-80-1400	Retaining Ring	(1)
★ 4	23-94-6225	Ground Wire Assembly (Not Shown)	(1)	32	45-88-7940	Washer	(1)
★ 5	22-20-0790	Brush Tube	(2)	33	14-38-0550	Motor Housing Assembly	(1)
★ 6	22-16-0275	Carbon Brush	(2)				
★ 7	23-52-1560	Brush Spring Assembly	(2)	FIG. LUBRICATION:			
★ 8	22-72-0100	Bearing Cup	(1)	27		Use 1-1/8 Oz. of Type "E" Grease, No. 49-08-4122, in Gear Case.	
★ 9	06-85-0200	Nameplate Screw	(2)	FIG. NOTES			
★ 10	12-99-0850	Service Nameplate	(1)	1		Torque to 18-22 In./Lbs.	
★ 11	31-44-1700	Left Handle Half	(1)	13,20,29		Torque to 15-20 In./Lbs.	
★ 12	22-56-0456	Terminal Block	(1)	8		Place in motor housing before inserting armature.	
★ 13	06-82-7308	7-18 x 1-1/8" Pan Hd. Slit. Plast. T-20	(1)	24		Press flush to casting surface.	
★ 14	44-60-0530	Ground Pin	(1)	15,19		Seal towards armature.	
★ 15	02-04-0645	Ball Bearing	(1)	30		Seal towards retaining ring.	
★ 16	18-11-0060	120 V Field	(1)				
★ 17	16-10-0440	120 V D.I. Armature	(1)				
★ 18	22-84-0760	Fan Assembly	(1)				
★ 19	02-04-0847	Ball Bearing	(1)				
★ 20	06-82-7393	7-18 x 2" Pan Hd. Slit. Plast. T-20	(2)				
★ 21	44-76-0210	Cord Protector	(1)				
★ 22	22-64-3180	Cord Set	(1)				
★ 23	28-28-1950	Diaphragm	(1)				
★ 24	02-50-1620	Needle Bearing	(1)				
★ 25	32-75-3260	Spindle Gear	(1)				
★ 26	38-50-5671	Reversing Spindle	(1)				
★ 27	28-14-1830	Gear Case	(1)				
★ 28	06-65-0825	1/8 x 1/2" Groove Pin 5	(1)				

MILWAUKEE ELECTRIC TOOL CORPORATION
13135 W. LISBON RD., BROOKFIELD, WI 53005