

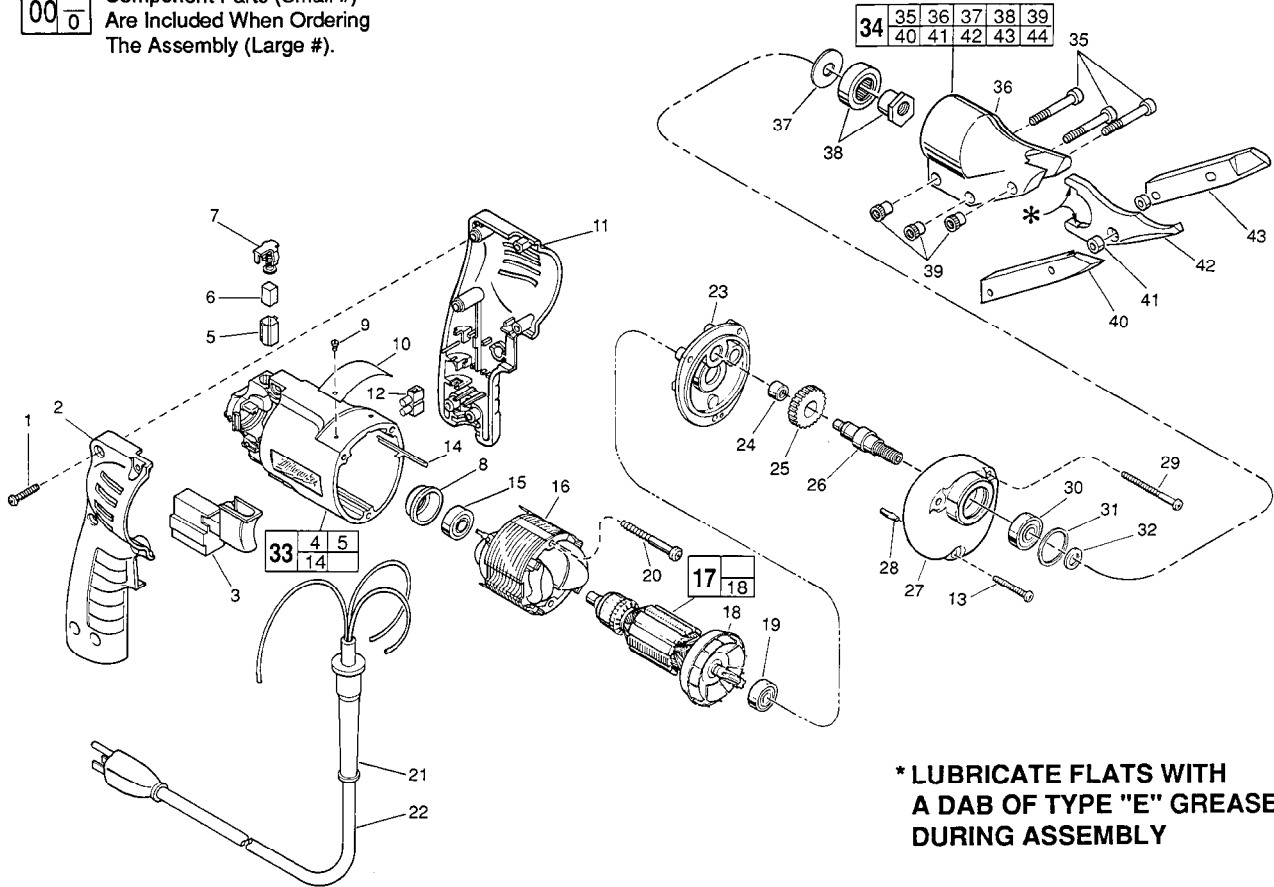


SERVICE PARTS LIST

BULLETIN NO.
54-44-0506

SPECIFY CATALOG NO. AND SERIAL NO. WHEN ORDERING PARTS		REVISED BULLETIN	DATE
18 GAUGE SWIVEL HEAD SHEAR		54-44-0505	May '94
CATALOG NO. 6850	STARTING SERIAL NO. 550A	WIRING INSTRUCTION 58-01-0024	

EXAMPLE:
Component Parts (Small #)
Are Included When Ordering
The Assembly (Large #).



*** LUBRICATE FLATS WITH
A DAB OF TYPE "E" GREASE
DURING ASSEMBLY**

FIG.	PART NO.	DESCRIPTION OF PART	NO. REQ.
1	06-82-7284	8-16 x 3/4" Pan Hd. Slit. Plas. T-20	(6)
2	31-44-1705	Right Handle Half	(1)
3	23-66-1250	Speed Control Switch	(1)
4	23-94-6225	Ground Wire Assembly (Not Shown)	(1)
5	22-20-0830	Brush Tube	(2)
6	22-16-0275	Carbon Brush	(2)
7	23-52-1560	Brush Spring Assembly	(2)
8	22-72-0100	Bearing Cup	(1)
9	06-85-0200	Nameplate Screw	(2)
10	12-99-0850	Service Nameplate	(1)
11	31-44-1700	Left Handle Half	(1)
12	22-56-0456	Terminal Block	(1)
13	06-82-7308	7-18 x 1-1/8" Pan Hd. Slit. Plast. T-20	(1)
14	44-60-0530	Ground Pin	(1)
15	02-04-0645	Ball Bearing	(1)
16	18-11-0060	120 V Field	(1)
17	16-10-0440	120 V D.I. Armature	(1)
18	22-84-0760	Fan Assembly	(1)
19	02-04-0847	Ball Bearing	(1)
20	06-82-7393	7-18 x 2" Pan Hd. Slit. Plast. T-20	(2)
21	44-76-0210	Cord Protector	(1)
22	22-64-3180	Cord Set	(1)
23	28-28-1950	Diaphragm	(1)
24	02-50-1620	Needle Bearing	(1)
25	32-75-3260	Spindle Gear	(1)
26	38-50-5671	Reversing Spindle	(1)
27	28-14-1830	Gear Case	(1)
28	06-65-0825	1/8 x 1/2" Groove Pin 5	(1)

FIG.	PART NO.	DESCRIPTION OF PART	NO. REQ.
29	06-82-7344	7-18 x 1-1/2" Pan Hd. Slit. Plast. T-20	(2)
30	02-04-1020	Ball Bearing	(1)
31	34-80-1400	Retaining Ring	(1)
32	45-88-7940	Washer	(1)
33	14-38-0600	Motor Housing Assembly	(1)
34	48-08-0500	Shear Head Assy. (Includes Fig. Nos. 35 thru 44)	(1)
35	06-75-2115	10-24 x 1-1/4 Slt. Hd. Cap Screw	(3)
36	43-76-0400	Shear Housing	(1)
37	45-88-7310	Washer	(1)
38	43-16-0100	Eccentric Assembly	(1)
39	43-84-0460	Knurled Insert	(3)
40	48-44-0170	Blade - Right Side	(1)
41	42-40-0520	Bushing	(2)
42	48-44-0150	Blade - Center	(1)
43	48-44-0160	Blade - Left Side	(1)
44	49-96-0070	5/32 Hex Allen Wrench (Not Shown)	(1)

FIG. LUBRICATION:
27 Use 1-1/8 Oz. of Type "E" Grease, No. 49-08-4122, in Gear Case.

FIG. NOTES
1 Torque to 18-22 In./Lbs.
13,20,29 Torque to 15-20 In./Lbs.
8 Place in motor housing before inserting armature.
24 Press flush to casting surface.
15,19 Seal towards armature.
30 Seal towards retaining ring.

MILWAUKEE ELECTRIC TOOL CORPORATION
13135 W. LISBON RD., BROOKFIELD, WI 53005