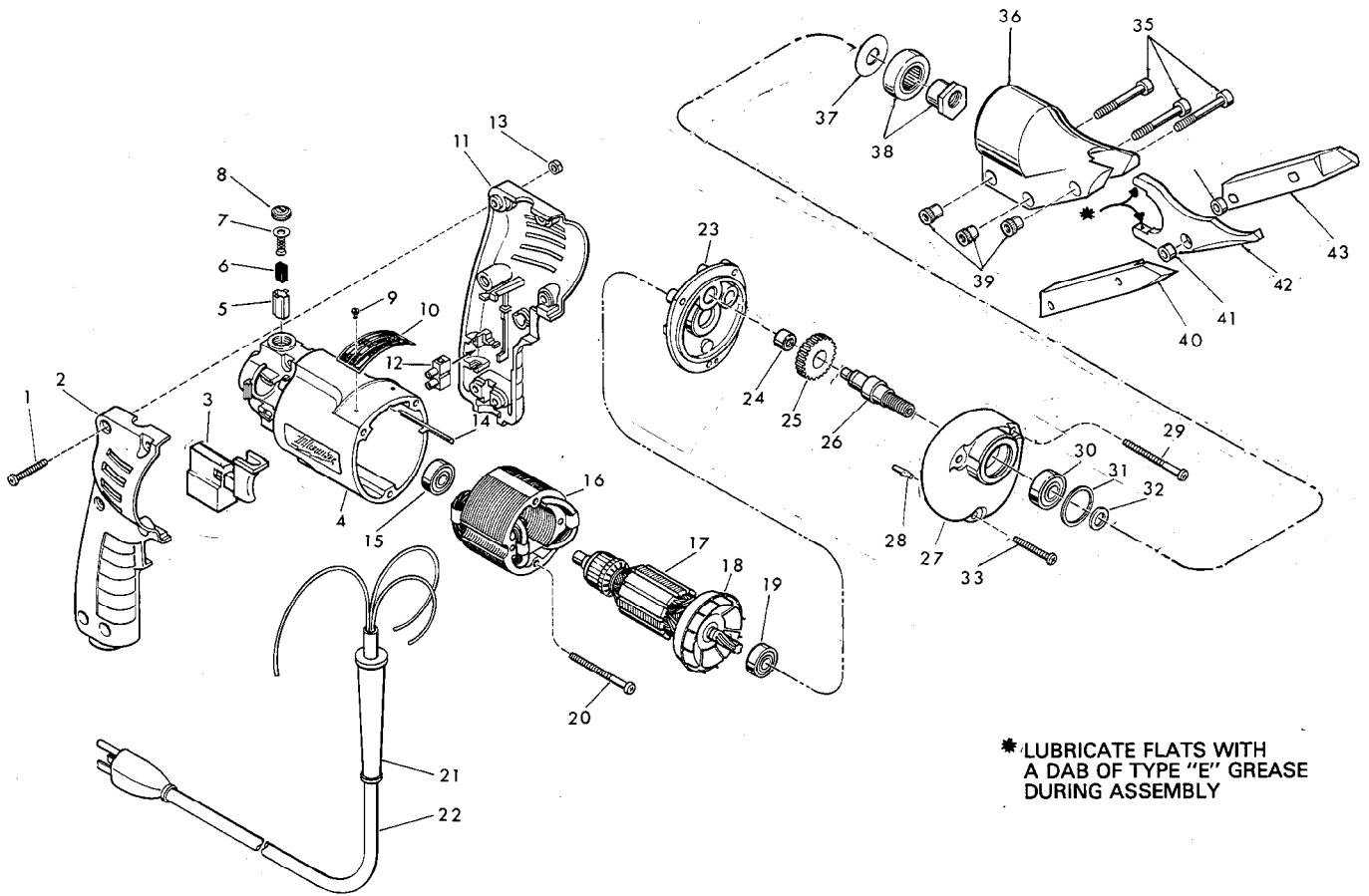




# SERVICE PARTS LIST

**BULLETIN NO.**  
54-44-0503

SPECIFY CATALOG NO. AND SERIAL NO. WHEN ORDERING PARTS		REVISED BULLETIN 54-44-0502	DATE Sept. '86
<b>18 GAUGE SWIVEL HEAD SHEAR</b>			
<b>CATALOG NO. 6850</b>	<b>STARTING SERIAL NO. 550-47000</b>	<b>WIRING INSTRUCTION 58-01-0017</b>	



\* LUBRICATE FLATS WITH A DAB OF TYPE "E" GREASE DURING ASSEMBLY

FIG.	PART NO.	DESCRIPTION OF PART	NO. REQ.	FIG.	PART NO.	DESCRIPTION OF PART	NO. REQ.
★	1	06-81-0473 8-32 x 1" Pan Hd. Pozi Dr. Screw	(6)	★	27	28-14-1830 Gear Case	(1)
★	2	31-44-1130 Right Handle Half	(1)	★	28	06-65-0825 1/8 x 1/2" Groove Pin 5	(1)
★	3	23-66-1250 Speed Control Switch	(1)	★	29	06-95-0175 7-18 x 1-1/2" Pan Hd. Pozi Driv Screw	(2)
★	4	31-50-0345 Motor Housing	(1)	30	02-04-1020 Ball Bearing	(1)	
★	5	22-20-0530 Brush Tube	(2)	31	34-80-1400 Retaining Ring	(1)	
★	6	22-16-0275 Carbon Brush	(2)	★	32	45-88-7940 Washer	(1)
★	7	23-52-0210 Brush Spring Assembly	(2)	★	33	06-95-0137 7 x 1-1/8" Pan Hd. Pozi Dr. Screw	(1)
★	8	23-44-0120 Brush Retaining Screw	(2)	34	48-08-0500 Shear Head Assy. (Includes Fig. Nos. 35 thru 44)	(1)	
9	06-85-0200 Nameplate Screw	(2)	35	06-75-2115 10-24 x 1-1/4 Skt. Hd. Cap Screw	(3)		
★	10	12-99-0024 Nameplate Blank	(1)	36	43-76-0400 Shear Housing	(1)	
★	11	31-44-1140 Left Handle Half	(1)	37	45-88-7310 Washer	(1)	
★	12	22-56-0455 Terminal Block	(1)	38	43-16-0100 Eccentric Assembly	(1)	
★	13	06-55-0835 8-32 Hex Nut	(6)	39	43-84-0460 Knurled Insert	(3)	
★	14	44-60-0530 Ground Pin	(1)	40	48-44-0170 Blade - Right Side	(1)	
★	15	02-04-0645 Ball Bearing	(1)	41	42-40-0520 Bushing	(2)	
★	16	18-10-0060 120V Field	(1)	42	48-44-0150 Blade - Center	(1)	
★	17	16-10-0440 120V D.I. Armature - (Incl. Fig. No. 18)	(1)	43	48-44-0160 Blade - Left Side	(1)	
★	18	22-84-0760 Fan Assembly	(1)	44	49-96-0070 5/32 Hex Allen Wrench (Not Shown)	(1)	
★	19	02-04-0847 Ball Bearing	(1)				
★	20	06-95-0145 7-18 x 1-3/4" Pan Hd. Pozi Driv Screw	(2)				
★	21	44-76-0130 Cord Protector	(1)				
★	22	22-64-1120 Cord Set	(1)				
★	23	28-28-1780 Diaphragm	(1)				
★	24	02-50-1620 Needle Bearing	(1)				
★	25	32-75-3260 Spindle Gear	(1)				
★	26	38-50-5670 Reversing Spindle	(1)				

**LUBRICATION**

Use 1-1/8 Oz. Of Type "E" Grease In Gear Case