



# SERVICE PARTS LIST

BUL. 54-44-0400

10 GAUGE SHEAR

REVISED BUL. DATE  
APRIL '79

Catalog No.

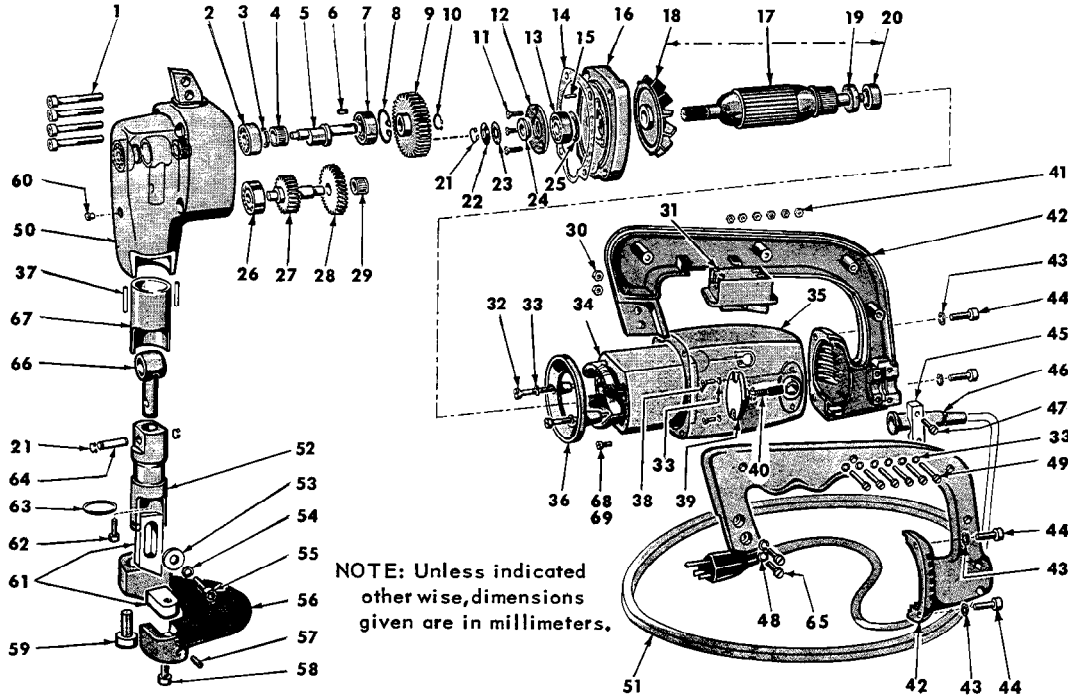
6830

Starting Serial No. 446-1001

WIRING INSTRUCTIONS  
58-01-0690

Specify Catalog and Serial No. when ordering parts

6.4 AMPS



NOTE: Unless indicated otherwise, dimensions given are in millimeters.

FIG.	PART NO.	DESCRIPTION OF PART	NO. REQ.	FIG.	PART NO.	DESCRIPTION OF PART	NO. REQ.
1	05-74-0560	Socket Hd. Screw 5x60	4	41	05-55-0104	Hex Nut 4	6
2	02-04-1045	Ball Bearing	1	42	31-44-0310	Handle Set (Both Halves)	1
3	44-90-4240	Clamping Ring	1	43	05-90-0105	Lock Washer 5	4
4	02-50-4033	Needle Bearing	1	44	05-81-0518	Pan Hd. Screw 5x18	4
5	43-16-0085	Eccentric Shaft	1	45	31-17-0055	Cord Clamp	1
6	43-96-0095	Key	1	46	23-82-0270	Cord Entry Sleeve	1
7	02-04-1235	Ball Bearing	1	47	05-81-0412	Pan Hd. Screw 4x12	2
8	34-80-2230	Retaining Ring	1	48	05-90-0105	Lock Washer 5	2
9	32-48-0020	Mechanism Gear	1	49	05-81-0422	Pan Hd. Screw 4x22	6
10	34-60-0830	Retaining Ring	1	50	28-14-1360	Gear Case	1
11	05-80-0410	Flat Hd. Screw 4x10	3	51	22-64-0705	Cord Set	1
12	44-86-0180	Bearing Retainer	1	52	44-62-0120	Piston	1
13	02-04-0930	Ball Bearing	1	53	45-88-7275	Washer	1
14	43-44-0405	Diaphragm Gasket	1	54	05-90-0006	Lock Washer 6	1
15	44-60-0400	Cylindrical Pin	1	55	05-84-0618	Socket Hd. Screw 6x18	1
16	28-28-1470	Diaphragm	1	56	45-98-0115	Yoke	1
17	16-22-1310	110 Volt Armature (Includes Figs. 18 thru 20)	1	57	05-86-0610	Set Screw 6x10	1
18	-	Fan	1	58	05-84-0615	Socket Hd. Screw 6x15	1
19	31-86-0140	Insulating Spacer	1	59	05-84-1435	Socket Hd. Screw 14x35	1
20	02-04-0705	Ball Bearing	1	60	43-33-0100	Grease Nipple	1
21	34-60-0820	Retaining Ring	3	61	48-44-0090	Shear Blade Set	1
22	40-50-0065	Saucer Spring	1	62	45-04-0435	Blade Adjusting Screw	1
23	45-14-0130	Shim Washer	1	63	44-90-4220	Piston Ring	1
24	45-06-0175	Sealing Ring	1	64	44-60-0435	Piston Pin	1
25	45-36-0700	Ring Spacer	1	65	05-81-0525	Pan Hd. Screw 5x25	2
26	02-04-0905	Ball Bearing	1	66	44-94-0200	Connecting Rod	1
27	32-40-1640	Intermediate Gear	1	67	45-22-0325	Sleeve	1
28	32-40-1635	Intermediate Gear	1	68	05-81-0408	Pan Hd. Ground Screw 4x8	1
29	02-50-1675	Needle Bearing	1	69	06-97-2000	Lock Washer	1
30	05-55-0005	Hex Nut 5	2				
31	23-66-0900	Switch	1				
32	05-81-0450	Pan Hd. Screw 4x50	2				
33	05-90-0004	Lock Washer 4	12				
34	18-22-1190	110 Volt Field	1				
35	28-50-6150	Motor Housing	1				
36	31-05-0040	Air Deflector Baffle	1				
37	44-60-0440	Cylindrical Pin	2				
38	05-82-0410	Fillister Hd. Screw 4x10	4				
39	31-12-0090	Brush Holder Cap	2				
40	22-18-0485	Carbon Brush	2				
						NOT SHOWN	
					05-82-0408	Switch Screw 4x8	4
					49-11-0060	Feeler Gauge	1
					49-11-0065	Cutting Angle Gauge	1
					49-96-0320	Socket Wrench Set	1
					49-80-0010	Blade Adjusting Screw Tool	1
					12-98-7090	Nameplate	1
					12-98-7080	Warning Plate	1
					12-98-7085	Instruction P Plate	1