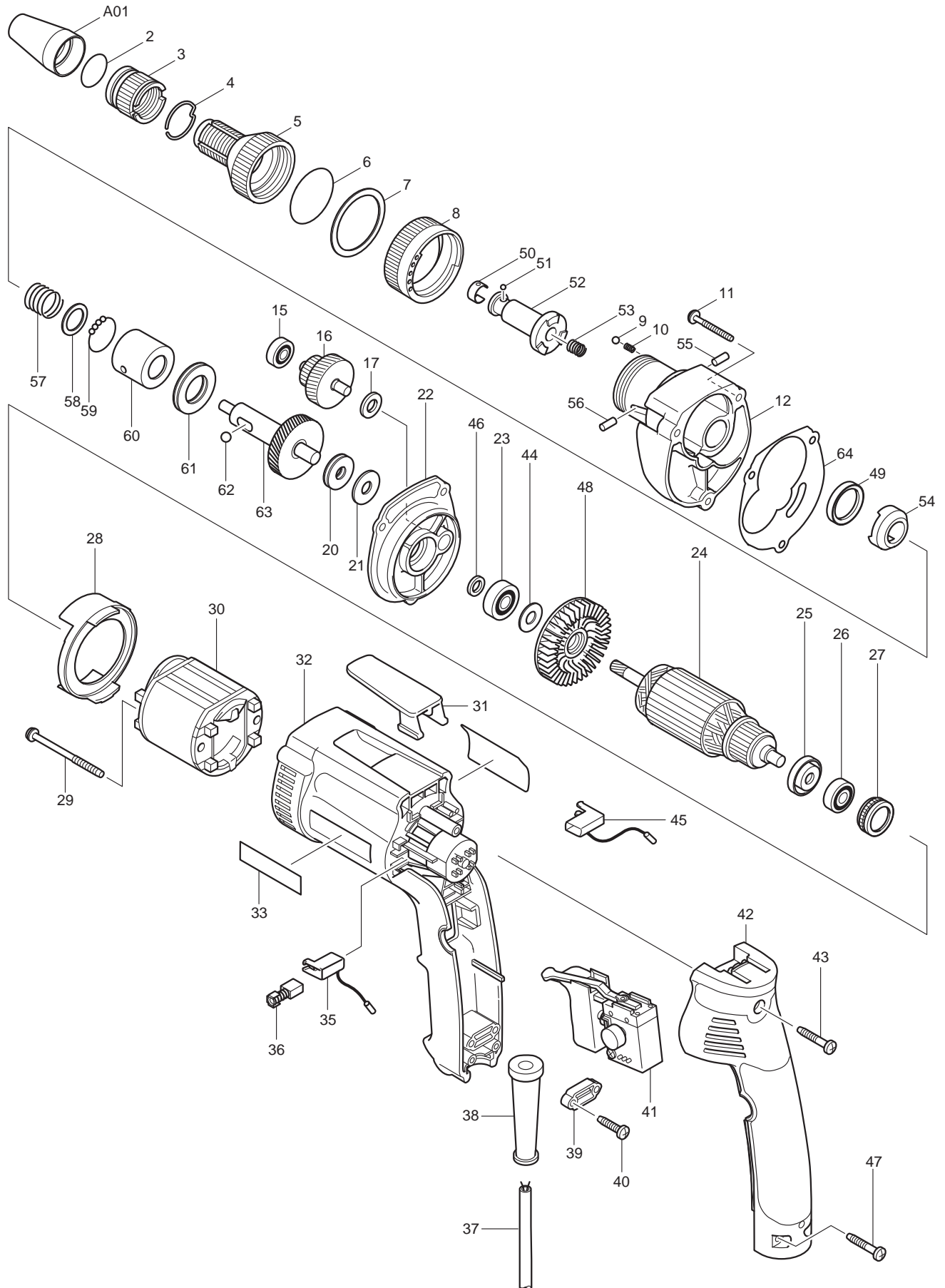




03- 2010
6827
SCREWDRIVER



Item No.	Type	Sub	Part No.	Description (*see Service changes on the bottom)	Qty	Unit
2			213310-8	O RING 20	1	PC.
3			322073-6	ADJUST SLEEVE	1	PC.
4			231940-3	RING SPRING 22	1	PC.
5			324140-3	CLUTCH COVER	1	PC.
6	1		213486-1	O RING 35	1	PC.
	2		213343-3	O RING 35	1	PC.
7			253806-7	FLAT WASHER 36	1	PC.
8			152841-1	RING 36 COMPLETE	1	PC.
9			216008-6	STEEL BALL 4	1	PC.
10			233314-4	COMPRESSION SPRING 4	1	PC.
11			266050-7	TAPPING SCREW 4X30	3	PC.
12			317440-8	GEAR HOUSING	1	PC.
15	1		211014-6	BALL BEARING 606	1	PC.
	2		211012-0	BALL BEARING 606ZZ	1	PC.
16			226133-5	GEAR COMPLETE 17-35	1	PC.
17			267017-8	FLAT WASHER 8	1	PC.
20			212042-4	THRUST NEEDLE BEARING 821	1	PC.
21			261111-8	URETHANE WASHER 8	1	PC.
22			152913-2	GEAR HOUSING COVER COMPLETE	1	PC.
		INC.	212004-2	NEEDLE BEARING 810	1	PC.
		INC.	212016-5	NEEDLE BEARING 609	1	PC.
23			210007-0	BALL BEARING 608VV	1	PC.
24			517321-8	ARMATURE ASS'Y 115V	1	PC.
		INC.		Item No. 23,25,26,44,48		
25			681636-0	INSULATION WASHER	1	PC.
26			211021-9	BALL BEARING 607LLB	1	PC.
27			421479-6	RUBBER RING 19	1	PC.
28			416993-5	BAFFLE PLATE	1	PC.
29			266147-2	TAPPING SCREW 4X55	2	PC.
30			633441-1	FIELD 115V	1	PC.
31			417625-7	HOOK	1	PC.
32	1		183285-4	* MOTOR HOUSING	1	PC.
		INC.		Item No. 33		
	2		188628-5	* MOTOR HOUSING - N/L/A	1	PC.
		INC.		Item No. 33		
	3		450718-7	* MOTOR HOUSING	1	PC.
33			819063-3	* MAKITA LABEL (OLD)	1	PC.
35			643952-8	BRUSH HOLDER	1	PC.
36	1		191927-6	CARBON BRUSH CB-407 2PC/SET (W/O ORIGIN)	1	SET
	2		195007-0	CARBON BRUSH CB-407 2PC/SET (W/ ORIGIN)	1	SET
37	1		664064-4	CORD W/PLUG 2P-18-2.5M, SJ	1	PC.
	2		664891-9	CORD W/PLUG 2P-18-2.5M, SJ	1	PC.
38			682559-5	CORD GUARD 8	1	PC.
39			687063-9	CORD CLAMP	1	PC.
40			265995-6	TAPPING SCREW 4X18	2	PC.
41			651978-6	SWITCH (TRIGGER SHAFT:BLACK ---> WHITE)	1	PC.
42	1		151961-8	* HANDLE COVER COMPLETE	1	PC.
		INC.	263002-9	RUBBER PIN 4	2	PC.
	2		158710-4	* HANDLE COVER COMPLETE	1	PC.
		INC.	263002-9	RUBBER PIN 4	2	PC.
43			265999-8	TAPPING SCREW 4X25	1	PC.
44			253139-0	FLAT WASHER 8	1	PC.
45			643953-6	BRUSH HOLDER	1	PC.
46			262087-2	RING 8	1	PC.
47			265999-8	TAPPING SCREW 4X25	2	PC.
48			240022-0	FAN 52	1	PC.

Item No.	Type	Sub	Part No.	Description (*see Service changes on the bottom)	Qty	Unit
49			421766-3	RING 20	1	PC.
50			232050-9	LEAF SPRING	1	PC.
51			216001-0	STEEL BALL 3.5	1	PC.
52			134461-3	SPINDLE ASS'Y	1	PC.
		INC.		Item No. 50,51		
53			231278-6	COMPRESSION SPRING 6	1	PC.
54			223073-8	CLUTCH CAM	1	PC.
55	1		256226-4	* PIN 4	1	PC.
	2		268075-7	* PIN 4	1	PC.
56	1		256226-4	* PIN 4	1	PC.
	2		268075-7	* PIN 4	1	PC.
57			231423-3	COMPRESSION SPRING 13.6	1	PC.
58			253837-6	FLAT WASHER 14	1	PC.
59			216014-1	STEEL BALL 3.2	16	PC.
60	1		324141-1	* SLEEVE - N/L/A	1	PC.
	2		324209-3	* SLEEVE	1	PC.
61			212262-0	THRUST NEEDLE BEARING 1831	1	PC.
62			216011-7	STEEL BALL 5.6	3	PC.
63			152840-3	GEAR COMPLETE	1	PC.
64			442136-3	GASKET	1	PC.
65			256157-7	PIN 3	1	PC.
100			654121-6	TAB	4	PC.

ACCESSORIES

See catalogue or visit www.makita.ca for other optional accessories -

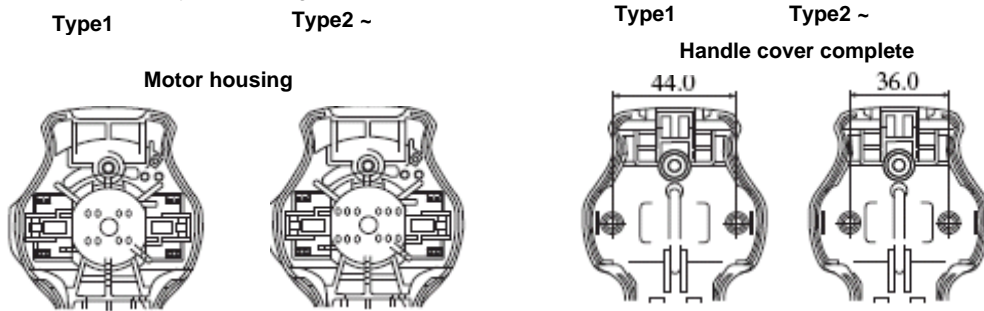
A01			322120-3	FRONT CAP 12	1	PC.
	Opt.		322124-5	1/4" FRONT CAP	1	PC.
	Opt.		322125-3	5/16" FRONT CAP	1	PC.
	Opt.		322119-8	3/8" FRONT CAP	1	PC.
	Opt.		322126-1	7/16" FRONT CAP	1	PC.

SERVICE CHANGES

1. Changes on Motor Housing and Handle Cover Complete

Item No.	Description	Type 1	Type 2	Type 3
32	Motor Housing	183285-4	188628-5	450718-7 (white printed Makita logo)
33	Makita Label	819063-3	819063-3	-----
42	Handle Cover Com.	151961-8	158710-4	

Above parts are completely interchangeable as a set.



2. Changes on Pin and Sleeve

Item No.	Description	Type 1	Type 2
55 & 56	Pin 4	256226-4	268075-7
60	Sleeve	324141-1	324209-3

Above parts are completely interchangeable as a set.

