



SERVICE PARTS LIST

BULLETIN NO.
54-44-0621

SPECIFY CATALOG NO. AND SERIAL NO. WHEN ORDERING PARTS		REVISED BULLETIN 54-44-0620	DATE Feb. '88
14 GAUGE SHEAR			
CATALOG NO. 6815	STARTING SERIAL NO. 710-5450	WIRING INSTRUCTION 58-01-0306	

EXAMPLE:
00 0

Component Parts (Small #) Are Included When Ordering The Assembly (Large #).

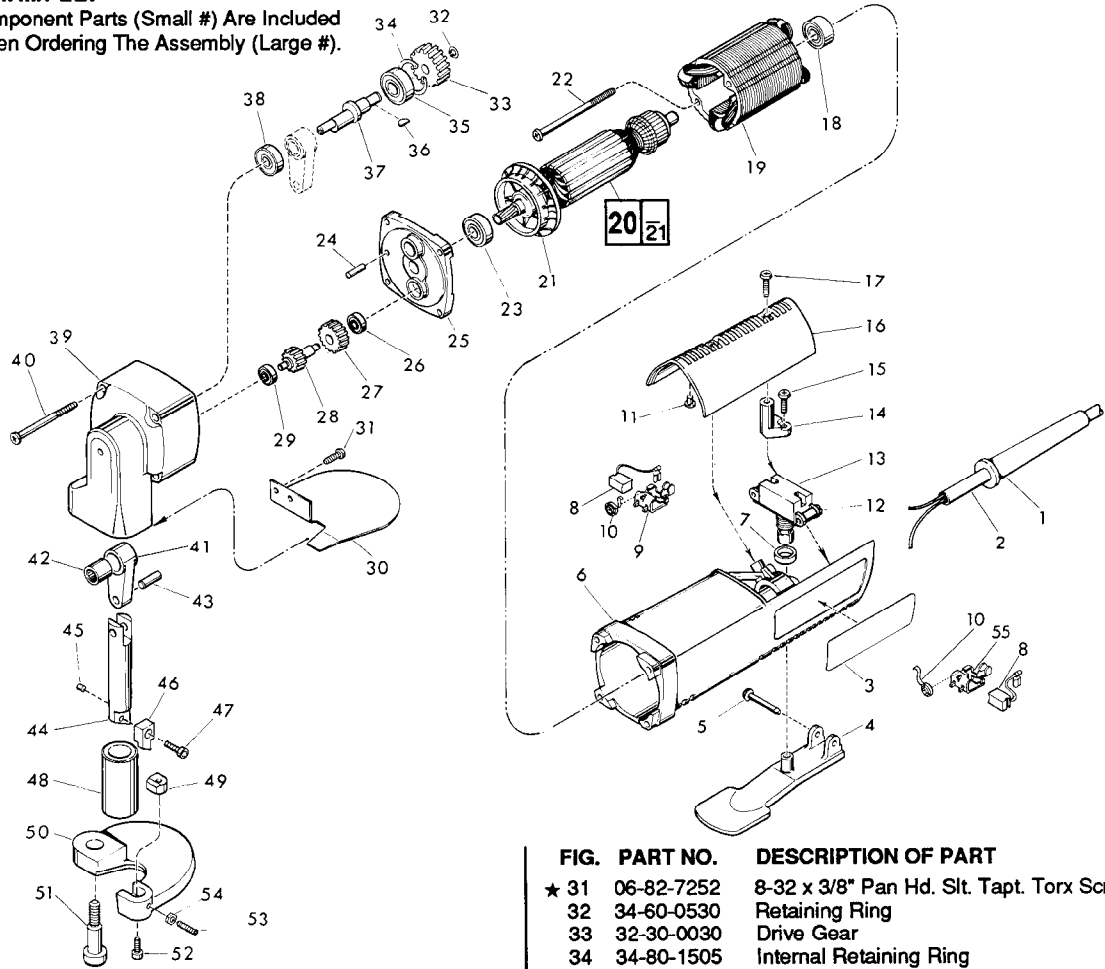


FIG.	PART NO.	DESCRIPTION OF PART	NO. REQ.
	1	44-76-0110 Cord Protector	(1)
	2	22-64-0215 Cord Set	(1)
	3	12-79-5046 Nameplate Blank	(1)
	4	31-92-0225 Trigger Paddle	(1)
	5	06-72-0810 Tapered Rivet	(1)
	6	31-50-0420 Motor Housing	(1)
	7	44-90-4245 Rubber Ring	(1)
	8	22-18-0710 Carbon Brush Assembly	(2)
★	9	22-20-0692 Right Brush Holder	(1)
	10	23-52-0240 Brush Spring	(2)
★	11	42-38-0181 Rubber Bumper	(2)
	12	06-95-0125 Switch Terminal Screw	(2)
	13	23-66-1170 Switch	(1)
	14	31-17-0120 Cord Clamp	(1)
	15	06-82-7270 8-16x5/8" Torx Plastite Screw	(2)
	16	31-15-0140 Cover	(1)
	17	06-82-7270 8-16 x 5/8" Torx Plastite Screw	(2)
	18	02-04-0850 Ball Bearing	(1)
	19	18-07-0055 120 V. Field	(1)
	20	16-07-0090 120 V. Armature	(1)
	21	22-84-0680 Fan	(1)
	22	06-82-7375 8-16 x 2-1/2" Torx Plastite Screw	(2)
	23	02-08-0375 Ball Bearing	(1)
	24	06-65-0825 1/8 x 1/2 Groove Pin No. 5	(1)
	25	28-28-1670 Diaphragm	(1)
	26	02-08-0200 Ball Bearing	(1)
	27	32-40-1910 Intermediate Gear	(1)
	28	36-66-4350 Intermediate Pinion Shaft	(1)
	29	02-08-0200 Ball Bearing	(1)
	30	43-54-0520 Guard	(1)

FIG.	PART NO.	DESCRIPTION OF PART	NO. REQ.
★	31	06-82-7252 8-32 x 3/8" Pan Hd. Slit. Tapt. Torx Screw	(2)
	32	34-60-0530 Retaining Ring	(1)
	33	32-30-0030 Drive Gear	(1)
	34	34-80-1505 Internal Retaining Ring	(1)
	35	02-04-1022 Ball Bearing	(1)
	36	06-42-0800 Woodruff Key	(1)
	37	43-16-0180 Eccentric Shaft	(1)
	★	38 02-04-0710 Ball Bearing	(1)
	39	28-14-1575 Gear Case	(1)
★	40	06-82-7410 8-16 x 1-7/8" Torx Plastite Screw	(4)
	41	44-94-0210 Connecting Rod	(1)
	42	02-50-2501 Needle Bearing	(1)
	43	06-65-1310 Dowel Pin	(1)
	44	38-50-5415 Spindle	(1)
	45	44-46-0200 Felt Oiler	(1)
★		48-44-0112 Service Kit (Inc. Fig. Nos. 46, 47, 49, & 52)	(1)
★	46	42-26-0141 Top Shear Blade	(1)
	47	06-75-1985 8-32 x 5/16" Skt. Screw	(1)
	48	42-40-0395 Spindle Bushing	(1)
	49	42-26-0137 Bottom Shear Blade	(1)
	50	30-99-0071 Yoke	(1)
	51	45-04-0680 Shoulder Screw	(1)
	52	06-75-2000 8-32 x 3/8" Skt. Hd. Screw	(1)
	53	06-83-1900 8-32 X 1/2" Skt. Hd. Set Screw	(1)
	54	06-55-0825 8-32 Hex Nut	(1)
★	55	22-20-0691 Left Brush Holder	(1)
		49-11-0080 Feeler Gauge	(1)
		49-96-0040 5/64" Socket Wrench	(1)
		49-96-0065 9/64" Socket Wrench	(1)

FIG. LUBRICATION

- 39 3/4 Oz. Type "G" grease, No. 49-08-4140.
- 44/48 Coat spindle with grease before assembly with spindle bushing.

MILWAUKEE ELECTRIC TOOL CORPORATION
13135 W. LISBON RD., BROOKFIELD, WI 53005