



SERVICE PARTS LIST

BUL. 54-44-0201

14 GA. SHEAR

REVISED BUL. 54-44-0200 DATE APRIL '79

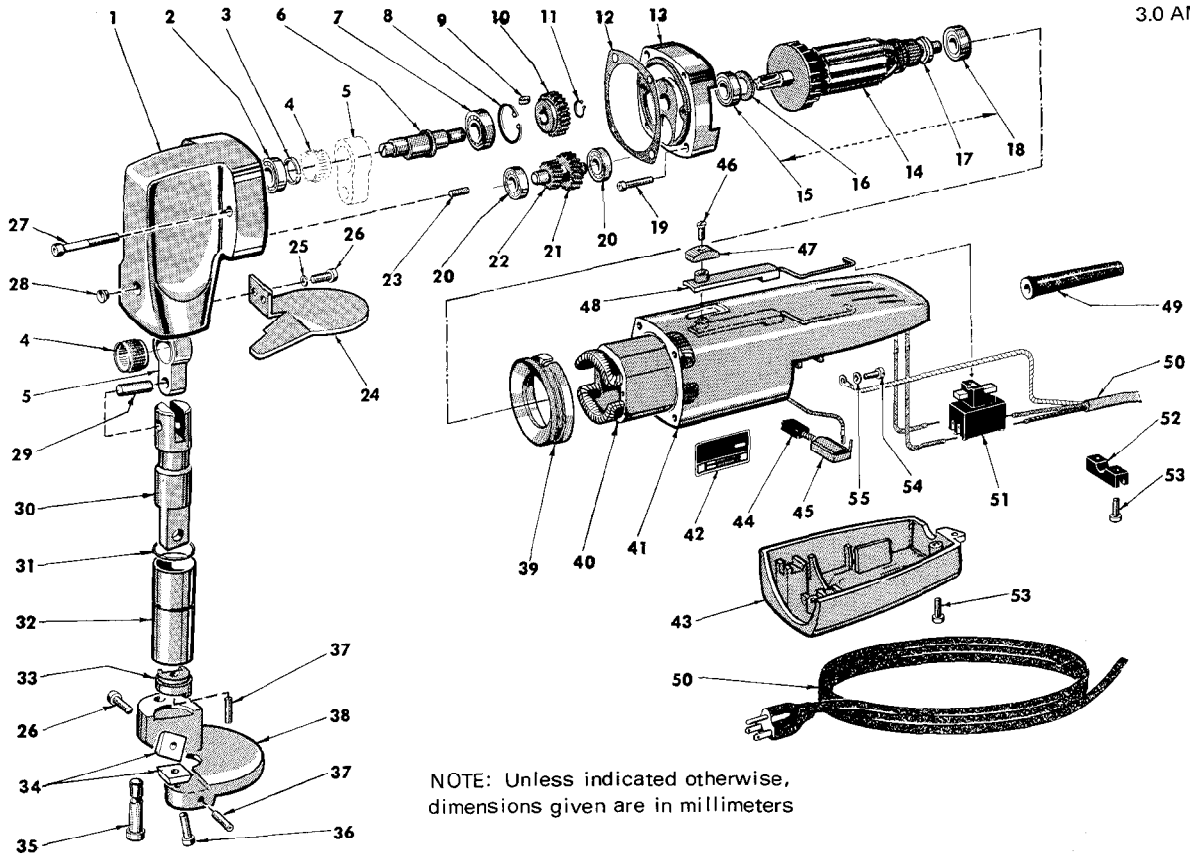
Catalog No. 6810

Starting Serial No. 444-4176

WIRING INSTRUCTIONS 58-01-0670

Specify Catalog and Serial No. when ordering parts

3.0 AMPS



NOTE: Unless indicated otherwise, dimensions given are in millimeters

FIG.	PART NO.	DESCRIPTION OF PART	NO. REQ.	FIG.	PART NO.	DESCRIPTION OF PART	NO. REQ.
★ 1	28-14-1341	Gear Case	(1)	★ 32	45-22-0316	Sleeve	(1)
2	02-04-0906	Ball Bearing	(1)	★ 33	42-52-0240	Buffer Cap	(1)
3	44-90-4235	Clamping Ring	(1)	★ 34	48-44-0100	Indexing Blade Set	(1)
4	02-50-2500	Needle Bearing	(1)	★ 35	45-04-0520	Cap Screw w/Shoulder 10x12-8x15	(1)
5	44-94-0195	Connecting Rod	(1)	★ 36	05-84-0512	Socket Hd. Cap Screw 5x12	(1)
6	43-16-0075	Eccentric Shaft	(1)	★ 37	05-86-0512	Socket Set Screw 5X12 with Nylon Plug	(2)
7	02-04-1020	Ball Bearing	(1)	★ 38	45-98-0111	Yoke	(1)
8	34-80-1525	Retaining Ring	(1)	39	31-05-0020	Air Baffle	(1)
9	43-96-0090	Key	(1)	40	18-12-0010	115 V. Field	(1)
10	32-48-0010	Mechanism Gear	(1)	41	31-50-0010	Motor Housing	(1)
11	34-60-0815	Retaining Ring	(1)	42	12-98-7090	Nameplate Blank	(1)
12	43-44-0400	Diaphragm Gasket	(1)	43	31-15-0070	Handle Cover	(1)
13	28-28-1455	Diaphragm	(1)	44	22-18-0480	Carbon Brush	(2)
14	16-12-0010	115 V. Armature Assy. (Includes Fig. Nos. 15 thru 18)	(1)	45	22-20-0255	Brush Holder	(2)
15	02-04-0825	Ball Bearing	(1)	46	05-80-0404	Flat Hd. Screw 4x6	(1)
16	—	Washer 8.1x16x0.5	(1)	47	31-92-0010	Trigger	(1)
17	31-86-0130	Insulating Disc	(1)	48	44-10-0010	Trigger Lever	(1)
18	02-04-0650	Ball Bearing	(1)	49	23-82-0260	Cord Entry Sleeve	(1)
19	05-81-0320	Pan Hd. Screw 3.5x20	(4)	50	22-64-0705	Cord Set	(1)
20	02-04-0500	Ball Bearing	(2)	51	23-66-0895	Switch	(1)
21	32-40-1625	Large Intermediate Gear	(1)	52	31-17-0055	Cord Clamp	(1)
22	32-40-1620	Small Intermediate Gear	(1)	53	05-87-0413	Self Tapping Screw 3.9x13	(4)
23	44-60-0425	Cylindrical Pin	(1)	54	05-89-0025	Pan Hd. Ground Screw 3.5x6	(1)
★ 24	43-56-0196	Scrap Guide	(1)	55	06-97-1800	Lockwasher	(1)
25	05-90-0105	Lockwasher 5	(2)			NOT SHOWN	
26	05-84-0510	Socket Hd. Cap Screw 5x10	(3)	49-11-0060	Feeler Gauge	(1)	
27	05-74-0530	Socket Hd. Cap Screw 5x30	(2)	49-96-0310	Socket Wrench Set (2.5) & (4)	(1)	
28	43-33-0100	Grease Nipple	(1)	12-98-7081	Caution Plate	(1)	
★ 29	44-60-0386	Piston Pin	(1)	49-14-0300	Grease Gun	(1)	
★ 30	44-62-0111	Piston	(1)	12-98-7085	Instruction Plate	(1)	
★ 31	44-90-4216	Piston Ring	(1)	05-82-0305	Switch Screw 3x5.5	(4)	