



SERVICE PARTS LIST

BULLETIN NO.
54-44-0611

SPECIFY CATALOG NO. AND SERIAL NO. WHEN ORDERING PARTS		REVISED BULLETIN 54-44-0610	DATE Feb.'88
16 GAUGE SHEAR			
CATALOG NO. 6805	STARTING SERIAL NO. 709-6700	WIRING INSTRUCTION 58-01-0306	

00 0

EXAMPLE:
Component Parts (Small #) Are Included
When Ordering The Assembly (Large #).

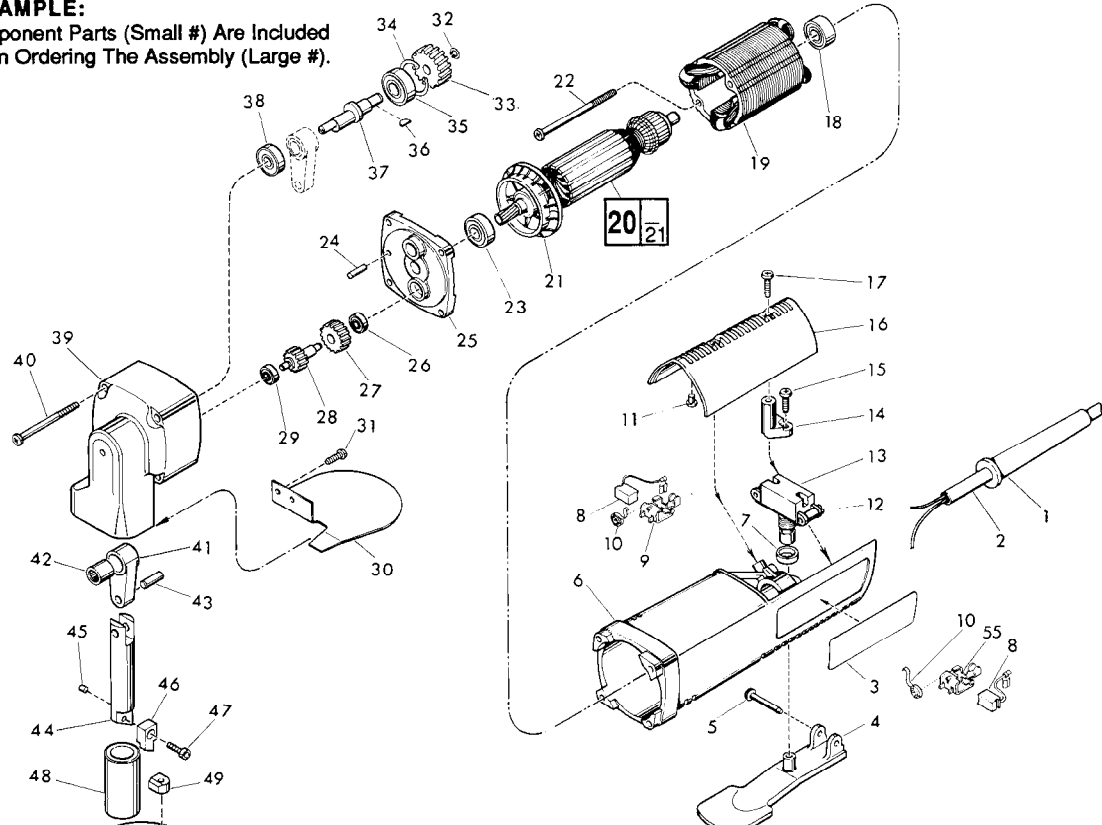


FIG.	PART NO.	DESCRIPTION OF PART	NO. REQ.
	1	Cord Protector	(1)
	2	Cord Set	(1)
	3	Nameplate Blank	(1)
	4	Trigger Paddle	(1)
	5	Tapered Rivet	(1)
	6	Motor Housing	(1)
	7	Rubber Ring	(1)
	8	Carbon Brush Assembly	(2)
★	9	Right Brush Holder	(1)
	10	Brush Spring	(2)
★	11	Rubber Bumper	(2)
	12	Switch Terminal Screw	(2)
	13	Switch	(1)
	14	Cord Clamp	(1)
	15	8-16x5/8" Torx Plastite Screw	(2)
	16	Cover	(1)
	17	8-16x5/8" Torx Plastite Screw	(2)
	18	Ball Bearing	(1)
	19	120 V. Field	(1)
	20	120 V. Armature	(1)
	21	Fan	(1)
	22	8-16x2-1/2" Torx Plastite Screw	(2)
	23	Ball Bearing	(1)
	24	1/8 x 1/2 Groove Pin No. 5	(1)
	25	Diaphragm	(1)
	26	Ball Bearing	(1)
	27	Intermediate Gear	(1)
	28	Intermediate Pinion Shaft	(1)
	29	Ball Bearing	(1)
	30	Guard	(1)

FIG.	PART NO.	DESCRIPTION OF PART	NO. REQ.
★	31	06-82-7252 8-32x3/8" Pan Hd. Sl. Torx Taptite Screw	(2)
	32	34-60-0530 Retaining Ring	(1)
	33	32-30-0030 Drive Gear	(1)
	34	34-80-1505 Internal Retaining Ring	(1)
	35	02-04-1022 Ball Bearing	(1)
	36	06-42-0800 Woodruff Key	(1)
	37	43-16-0180 Eccentric Shaft	(1)
★	38	02-04-0710 Ball Bearing	(1)
	39	28-14-1575 Gear Case	(1)
★	40	06-82-7410 8-16x1-7/8" Torx Plastite Screw	(4)
	41	44-94-0210 Connecting Rod	(1)
	42	02-50-2501 Needle Bearing	(1)
	43	06-65-1310 Dowel Pin	(1)
	44	38-50-5420 Spindle	(1)
	45	44-46-0200 Felt Oiler	(1)
	46	42-26-0151 Shear Blade Kit(Inc. Fig. Nos.46,47,49,52)	(1)
★	47	06-75-2055 Top Shear Blade	(1)
	48	42-40-0395 8-32x1/2" Large Skt. Hd. Screw	(1)
	49	42-26-0137 Spindle Bushing	(1)
★	50	30-99-0080 Bottom Shear Blade	(1)
	51	45-04-0680 Yoke	(1)
	52	06-75-2000 Shoulder Screw	(1)
	53	06-83-1900 8-32 x 3/8" Skt. Hd. Screw	(1)
	54	06-55-0825 8-32 x 1/2" Skt. Hd. Set Screw	(1)
★	55	22-20-0691 8-32 Hex Nut	(1)
		49-11-0080 Left Brush Holder	(1)
		49-96-0040 Feeler Gauge	(1)
		49-96-0065 5/64" Socket Wrench	(1)
			9/64" Socket Wrench (1)

FIG. LUBRICATION
39 3/4 Oz. Type "G" Grease, No. 49-08-4140.
44/48 Coat Spindle with Type "G" Grease Before
Assembly with Spindle Bushing.

MILWAUKEE ELECTRIC TOOL CORPORATION
13135 W. LISBON RD., BROOKFIELD, WI 53005