



SERVICE PARTS LIST

BULLETIN NO.
54-44-0612

SPECIFY CATALOG NO. AND SERIAL NO. WHEN ORDERING PARTS		REVISED BULLETIN 54-44-0611	DATE Oct '89
16 GAUGE SHEAR			
CATALOG NO. 6805	STARTING SERIAL NO. 709-7151	WIRING INSTRUCTION 58-01-0316	

00/0

EXAMPLE:

Component Parts (Small #) Are Included When Ordering The Assembly (Large #).

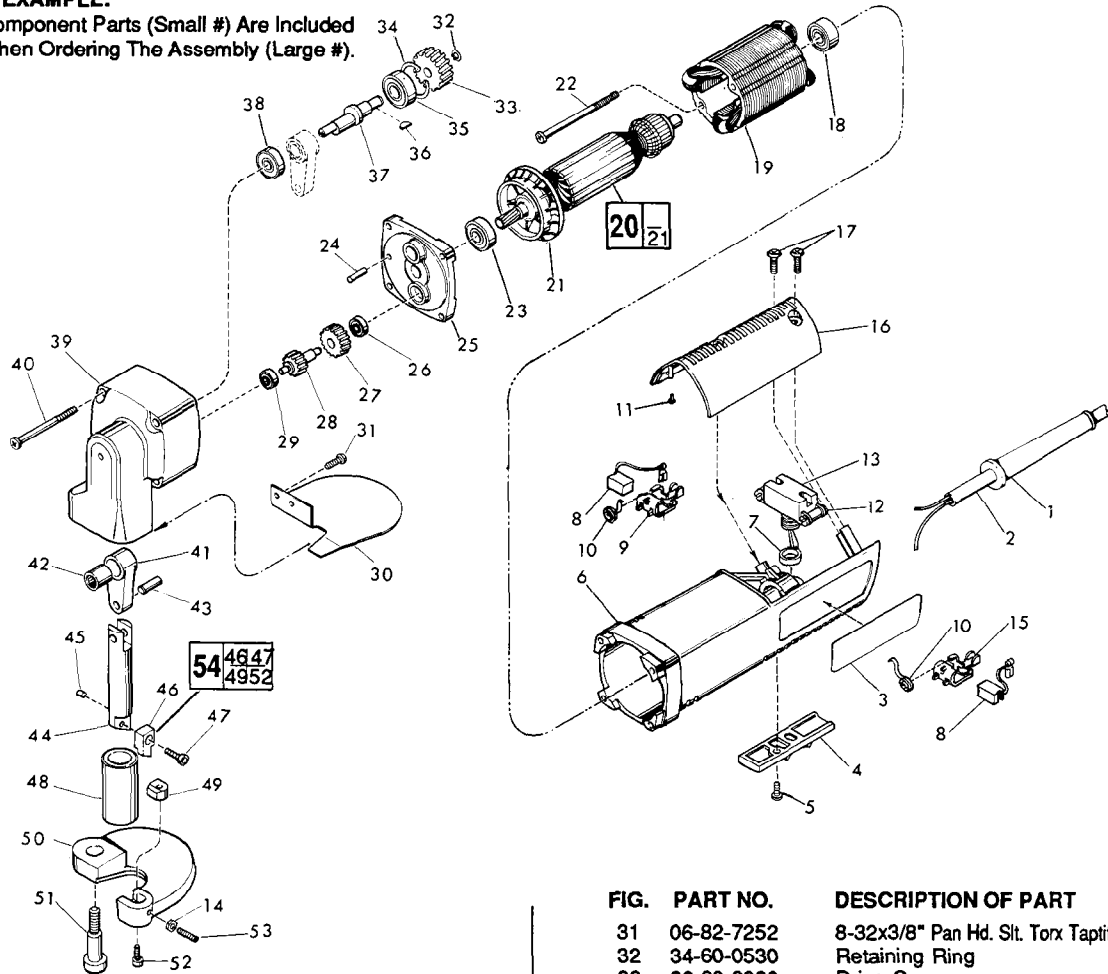


FIG.	PART NO.	DESCRIPTION OF PART	NO. REQ.
★ 1	44-76-0130	Cord Protector	(1)
2	22-64-0215	Cord Set	(1)
3	12-79-5046	Nameplate Blank	(1)
★ 4	31-55-0155	Trigger Cover	(1)
★ 5	06-82-7409	8-16x1/2" Pan Hd. Slit. Plastite Torx	(1)
★ 6	31-50-0425	Motor Housing	(1)
7	44-90-4245	Rubber Ring	(1)
8	22-18-0710	Carbon Brush Assembly	(2)
9	22-20-0692	Right Brush Holder	(1)
10	23-52-0240	Brush Spring	(2)
11	42-38-0181	Rubber Bumper	(2)
12	06-95-0125	Switch Terminal Screw	(2)
★ 13	23-66-1190	Switch	(1)
14	06-55-0825	8-32 Hex Nut	(1)
15	22-20-0691	Left Brush Holder	(1)
★ 16	31-15-0142	Cover	(1)
★ 17	06-82-7270	8-16x5/8" Torx Plastite Screw	(3)
18	02-04-0850	Ball Bearing	(1)
19	18-07-0055	120 V. Field	(1)
20	16-07-0090	120 V. Armature	(1)
21	22-84-0680	Fan	(1)
22	06-82-7375	8-16x2-1/2" Torx Plastite Screw	(2)
23	02-08-0375	Ball Bearing	(1)
24	06-65-0825	1/8 x 1/2 Groove Pin No. 5	(1)
25	28-28-1670	Diaphragm	(1)
26	02-08-0200	Ball Bearing	(1)
27	32-40-1910	Intermediate Gear	(1)
28	36-66-4350	Intermediate Pinion Shaft	(1)
29	02-08-0200	Ball Bearing	(1)
30	43-54-0520	Guard	(1)

FIG.	PART NO.	DESCRIPTION OF PART	NO. REQ.
	31	06-82-7252	8-32x3/8" Pan Hd. Slit. Torx Taptite Screw (2)
	32	34-60-0530	Retaining Ring (1)
	33	32-30-0030	Drive Gear (1)
	34	34-80-1505	Internal Retaining Ring (1)
	35	02-04-1022	Ball Bearing (1)
	36	06-42-0800	Woodruff Key (1)
	37	43-16-0180	Eccentric Shaft (1)
	38	02-04-0710	Ball Bearing (1)
	39	28-14-1575	Gear Case (1)
	40	06-82-7410	8-16x1-7/8" Torx Plastite Screw (4)
	41	44-94-0210	Connecting Rod (1)
	42	02-50-2501	Needle Bearing (1)
	43	06-65-1310	Dowel Pin (1)
	44	38-50-5420	Spindle (1)
	45	44-46-0200	Felt Oiler (1)
	46	—	Top Shear Blade (1)
	47	06-75-2055	8-32x1/2" Large Skt. Hd. Screw (1)
	48	42-40-0395	Spindle Bushing (1)
	49	—	Bottom Shear Blade (1)
	50	30-99-0080	Yoke (1)
	51	45-04-0680	Shoulder Screw (1)
	52	06-75-2000	8-32 x 3/8" Skt. Hd. Screw (1)
	53	06-83-1900	8-32 x 1/2" Skt. Hd. Set Screw (1)
	54	48-44-0122	Shear Blade Kit (1)
		49-11-0080	Feeler Gauge (1)
		49-96-0040	5/64" Socket Wrench (1)
		49-96-0065	9/64" Socket Wrench (1)

FIG. LUBRICATION

39 3/4 Oz. Type "G" Grease, No. 49-08-4140.
44/48 Coat Spindle with Type "G" Grease Before Assembly with Spindle Bushing.

MILWAUKEE ELECTRIC TOOL CORPORATION
13135 W. LISBON RD., BROOKFIELD, WI 53005