

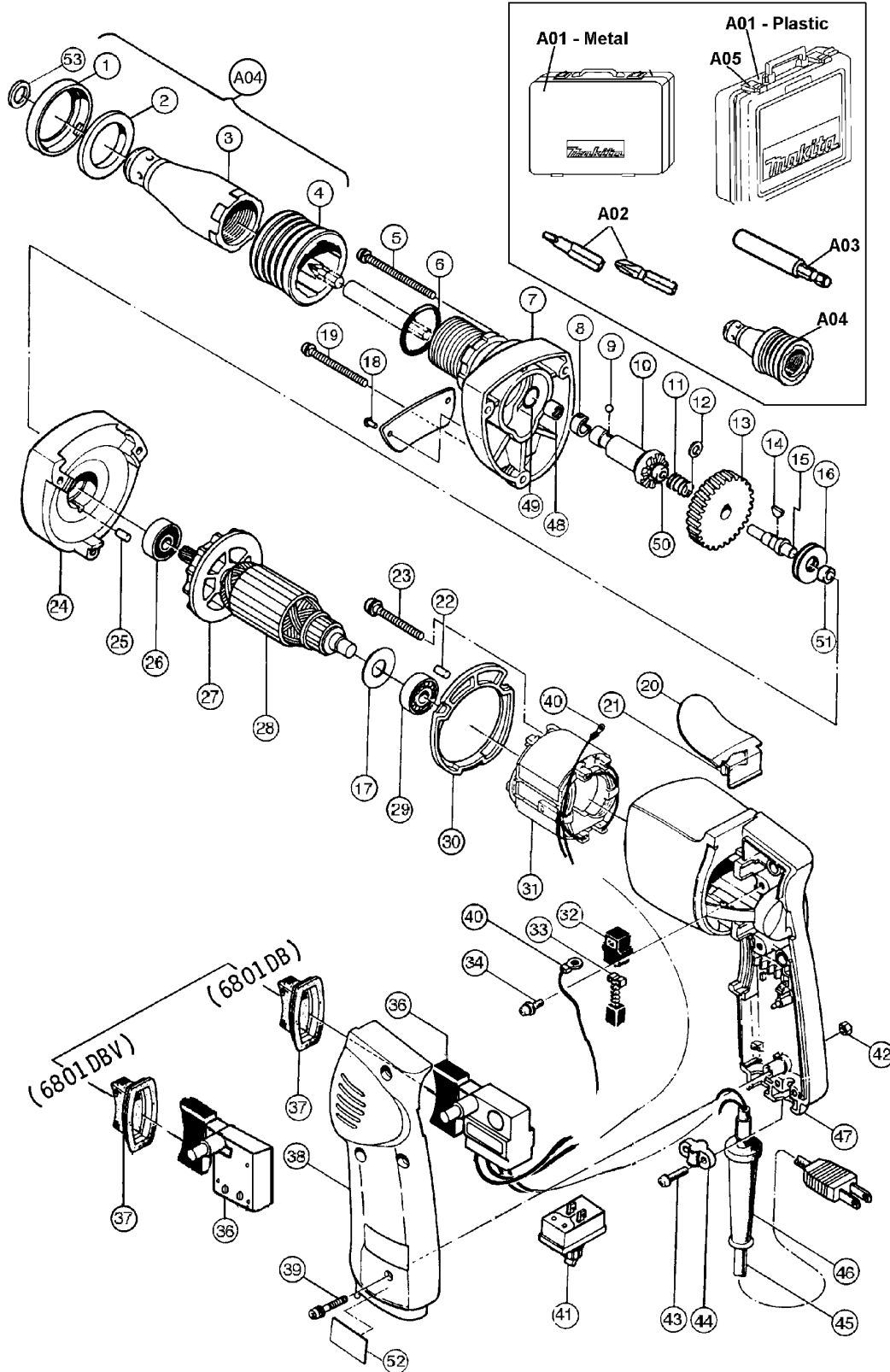


DRYWALL SCREWDRIVER (Constant Speed)

Model 6801DB* (MJ)
(Discontinued in 1994)

DRYWALL SCREWDRIVER (Variable Speed)

Model 6801DBV* (MJ)
(Discontinued in 2002)

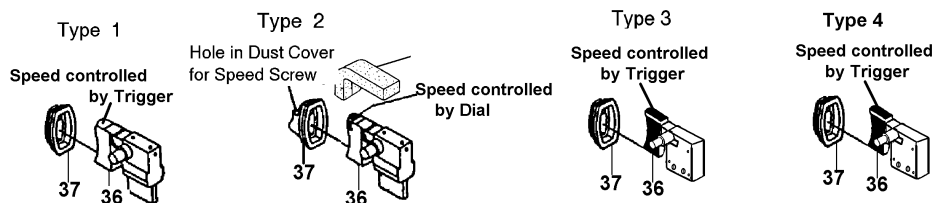


| Item No. | Part No. | No. Used | Description | Item No. | Part No. | No. Used | Description |
|----------|----------|----------|---|--------------------|-----------------|----------|--|
| 1 | 411297-0 | 1 | Felt Cover | | 181503-4 | 2 | Auto Cut-Off Carbon Brush CB-63 (Optional) |
| 2 | 443028-9 | 1 | Felt Ring 30 | | | | |
| 3 | 411292-0 | 1 | Locator (With Item 53) | | | | |
| 4 | 411293-8 | 1 | Locking Sleeve | 34 | 911124-6 | 2 | P.H. Screw M4x14 |
| 5 | 911181-4 | 2 | P.H. Screw M4x55 | 35 | 685717-2 | 1 | Sponge Sheet (Add.)* |
| 6 | 213404-9 | 1 | O Ring 27 (Old 213363-7) | | | | |
| 7 | 156353-6 | 1 | Gear Housing (Aluminium) (With Items 48 & 49) | 36 | 651212-4 | 1 | Switch (With Lock)(6801DB) |
| | | | | | * | 1 | Switch (6801DBV) |
| 8 | 232050-9 | 1 | Leaf Spring | | | | |
| 9 | 216001-0 | 1 | Steel Ball 3.5 | 37 | 421144-7 | 1 | Dust Cover (6801DB) |
| 10 | * | 1 | Spindle (With Items 8, 9 & 50) | | * | 1 | Switch Cover/Dust Cover (6801DBV) |
| 11 | 231139-0 | 1 | Compression Spring 9 | | | | |
| 12 | 253324-5 | 2 | Thin Washer 8 | 38 | * | 1 | Handle Cover |
| 13 | * | 1 | Helical Gear 37 | 39 | 911153-9 | * | P.H. Screw M4x28 |
| 14 | 254031-3 | 1 | Woodruff Key 3 | 40 | 654038-3 | 2 | Insulated Terminal FV1.25-M4 |
| 15 | 325485-2 | 1 | Gear Shaft | 41 | 651478-6 | 1 | Reversing Switch (Old 651461-3) |
| 16 | 212057-1 | 1 | Thrust Needle Bearing 1023 | 42 | 931102-0 | * | Hex Nut M4 |
| 17 | 681617-4 | 1 | Insulation Washer | 43 | 911131-9 | 2 | P.H. Screw M4x18 (With Washer) |
| 18 | 953106-2 | 2 | Rivet 0-5 | 44 | 687002-9 | 1 | Strain Relief |
| 19 | 911171-7 | 1 | P.H. Screw M4x45 | 45 | 664013-1 | 1 | Cord With Plug 2P-18-2.5 |
| | | | | 46 | 682502-4 | 1 | Cord Guard 8-85 |
| 20 | 342422-1 | 1 | Hook (Type 1) | 47 | * | 1 | Motor Housing (With Items 22 & 42) |
| | 343693-3 | 1 | Hook (Type 2) | 48 | 212155-1 | 1 | Needle Bearing 1416 |
| | | | | 49 | 213154-6 | 1 | O Ring 14 |
| 21 | 232034-7 | 1 | Leaf Spring (Type 1) | 50 | 212015-7 | 1 | Needle Bearing 509 |
| 22 | 263002-9 | 1 | Rubber Pin 4 | 51 | 214012-9 | 1 | Plane Bearing 6 |
| 23 | 911180-6 | 2 | (+) P.H. Screw M4x50(Old 925178-7) | 52 | 817613-8 | 1 | Caution Label (Eng/Fr) |
| 24 | 156354-4 | 1 | Gear Housing Cover (Aluminium) (With Items 25 & 51) | 53 | 261058-6 | 1 | Sponge Washer 11 |
| | | | | 100 | 652030-3 | 4 | (-) Set Screw M3x7.5 |
| 25 | 263002-9 | 1 | Rubber Pin 4 | Accessories | | | |
| 26 | 211033-2 | 1 | Ball Bearing 608LB | A01 | 181949-4 | 1 | Steel Carrying Case(Old 823036-0) |
| 27 | 241803-5 | 1 | Fan 58 | | 824700-6 | 1 | Plastic Carrying Case (Includes Item A05) |
| 28 | 611302-5 | 1 | Armature Assy (Includes Items 17, 26-29) | A02 | ---- | 1 | Insert Bits (See Catalogue for Details) |
| 29 | 211028-5 | 1 | Ball Bearing 627LB | A03 | 784801-1 | 1 | Magnetic Bit Holder 6.35-76 |
| 30 | * | 1 | Baffle Plate | A04 | 122211-8 | 1 | Nose Piece Assy (Assembled Items 1-4) |
| 31 | * | 1 | Field Assy [With Item 40 (1pc.)] | A05 | 417496-2 | 2 | Latch |
| 32 | 643552-4 | 2 | Brush Holder 5-8 | | | | |
| 33 | 191956-9 | 2 | Carbon Brush CB-75 (Old 181028-8 - CB-56) | | | | |

* SEE SERVICE CHANGES

SERVICE CHANGES

1. Change on Switch & Switch Cover/Dust Cover (6801DBV only).

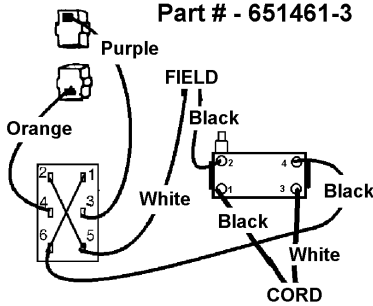


| Item No. | Description | Type 1 | Type 2 | Type 3 | Type 4 |
|----------|---|--------------------|---------------------------|--------------------|-----------------|
| 35 | Sponge Sheet | ----- | 685717-2 | ----- | |
| 36 | Switch (Speed changed by Trigger) | 651313-8 | | 651271-8 | 650206-6 |
| | Switch (Option) (Speed changed by Dial) | | 651314-6 (6A) or 651255-6 | 651270-0 | 650205-8 |
| 37 | Switch Cover/Dust Cover | 411852-8 (Plastic) | 421145-5 (Rubber) | 411852-8 (Plastic) | |
| | Serial No. | ~ 210103E | 210104E ~ 651715E | 651716E ~ | N/A |

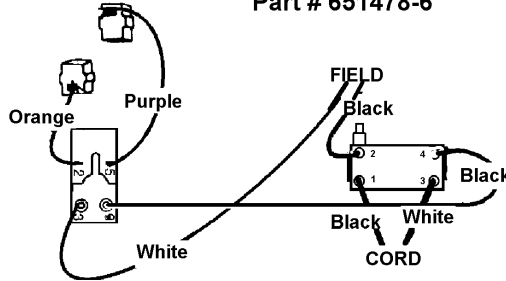
2 Model 6801DB*
2 Model 6801DBV

WIRING DIAGRAM 6801DB

Type 1 Reversing Switch
Part # - 651461-3

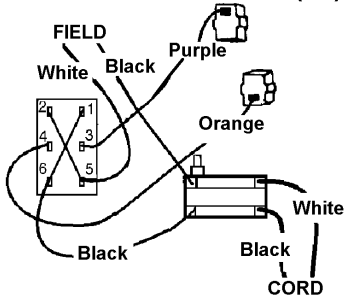


Type 2 Reversing Switch
Part # 651478-6

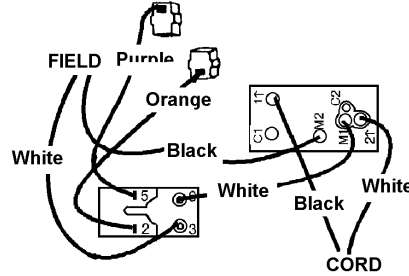


WIRING DIAGRAM - 6801DBV

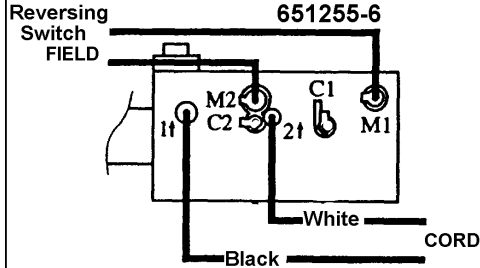
Type 2 Switch Part # 651314-6(6A)



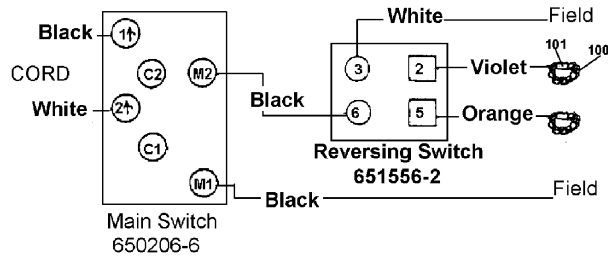
Type 3 Switch Part # 651271-8



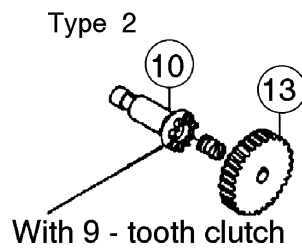
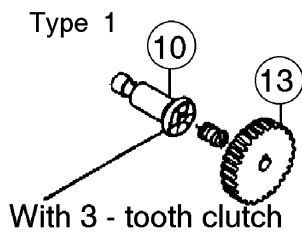
Type 2 New Optional Switch Part # 651255-6



Type 4 - Switch # 650206-6



2. Change on Spindle & Gear.

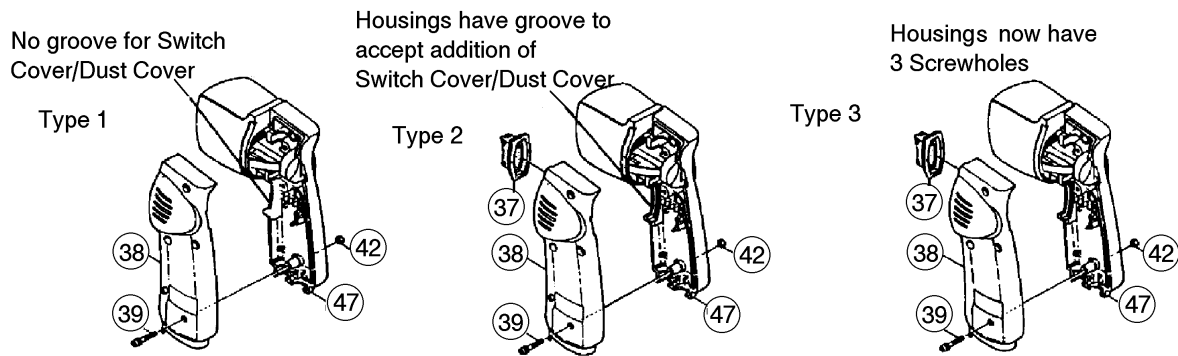


| Item No. | Description | Type 1 | Type 2 |
|------------|-----------------|--------------------------------|----------|
| 10 | Spindle | 152128-1 (No Longer Available) | 152158-2 |
| 13 | Helical Gear 37 | 221615-2 (No Longer Available) | 221674-6 |
| Serial No. | 6801DB | ~ 7859E | 7860E~ |
| | 6801DBV | ~ 2483E | 2484E~ |

Above parts are completely interchangeable as a set.

When replacing Type 1 Spindle or Gear replace them with complete set of Type 2 parts.

3. Change on Motor Housing & Handle Cover.

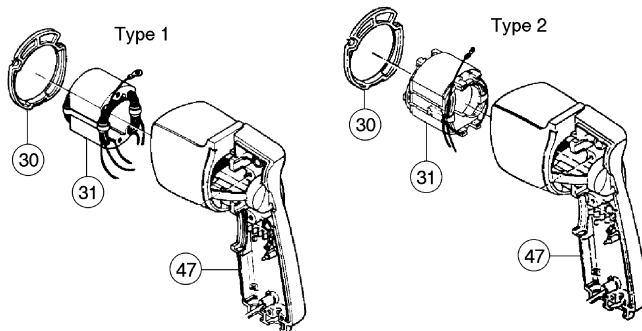


| Item No. | Description | Type 1 | Type 2 | Type 3 |
|--------------------------------|-----------------------------------|-----------------------------------|--------------------------------|-------------------|
| 37 | Dust Cover (6801DB) | ---- | 421144-7 (Rubber) | |
| | Switch Cover/Dust Cover (6801DBV) | ---- | 411852-8 (Plastic) | 421145-5 (Rubber) |
| (See Service Change on Switch) | | | | |
| 38 | Handle Cover | 411216-6 (No Longer Available) | 155216-3 (No Longer Available) | 155300-4 |
| 39 | P.H. Screw M4x28 | 911153-9 | | |
| | | (4 pieces) | | (3 pieces) |
| 42 | Hex Nut M4 | 931102-0 | | |
| | | (4 pieces) | | (3 pieces) |
| 47 | Motor Housing | 411215-8 (No Longer Available) | 411411-8 (No Longer Available) | |
| | | Serial No. | N/A | N/A |
| | | N/A | N/A | N/A |

Above parts are completely interchangeable as a set.

When replacing Type 1 & 2 Motor Housings, replace them with complete set of Type 3 parts.

4. Change on Field Assy, Baffle Plate & Motor Housing.



| Item No. | Description | Type 1 | Type 2 |
|------------|----------------|-----------|-----------|
| 30 | Baffle Plate | 411291-2 | 414463-8 |
| 31 | Field Assembly | 621272-0 | 593066-2 |
| | | Type 3 | Type 4 |
| 47 | Motor Housing | 156491-4 | 159061-8 |
| Serial No. | 6801DB | ~ 140554E | 140555E ~ |
| | 6801DBV | ~ 619166E | 619167E ~ |

Above parts are completely interchangeable as a set.

Type 4 Motor Housing accepts Type 1 & Type 2 Baffle Plate & Field.

- 4 Model 6801DB*
- 4 Model 6801DBV