



SERVICE PARTS LIST

BULLETIN NO.
54-42-5503

SPECIFY CATALOG NO. AND SERIAL NO. WHEN ORDERING PARTS		REVISED BULLETIN 54-42-5502	DATE April '85
T.S.C. POSITIVE DRIVE REV. SCREW DRIVER			
CATALOG NO. 6798-1		STARTING SERIAL NO. 450-66000	
CAT. NO. 6798-6		START SER. NO. 450-66000	BILINGUAL LABEL 10-98-6405

FOR CAT. NO. 6798-3 (240V) TOOL USE:
 22-64-4200 CORD SET
 22-18-0376 CARBON BRUSH
 18-16-0015 FIELD
 16-16-0400 ARMATURE
 23-66-1246 SWITCH

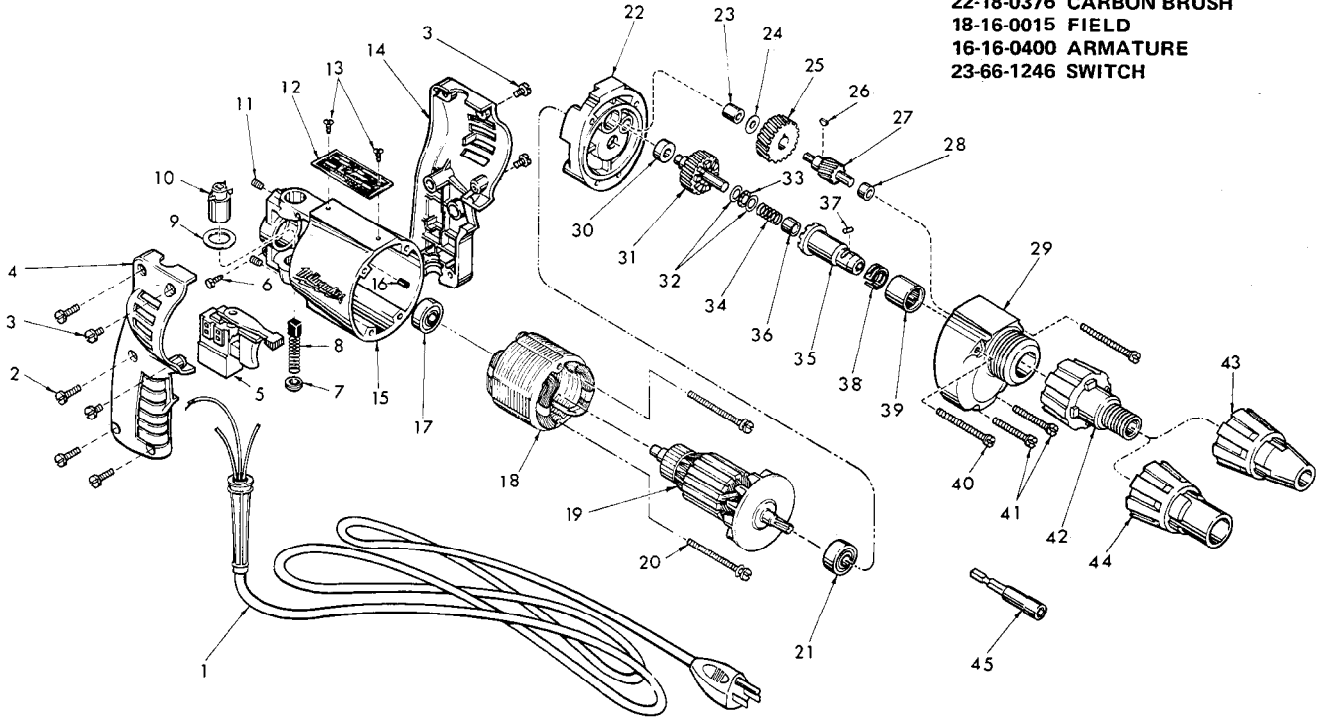


FIG.	PART NO.	DESCRIPTION OF PART	NO. REQ.	FIG.	PART NO.	DESCRIPTION OF PART	NO. REQ.
	1	Cord Set	(1)	26	06-42-0400	Woodruff Key	(1)
★	2	8-18x3/4 Thread Form Screw	(4)	27	36-66-4100	Intermediate Pinion Shaft	(1)
★	3	8-32 x 3/8 Taptite Screw	(4)	28	02-50-1635	Needle Bearing	(1)
★	4	R. H. Handle Half	(1)	29	28-14-1210	Gear Case (Includes 06-65-0825 Groove Pin)	(1)
★	5	Rev. Speed Control Switch	(1)	30	02-08-0210	Ball Bearing	(1)
	6	6-32x1/4 Ground Screw	(1)	31	32-10-2500	Clutch Gear	(1)
	7	Brush Retaining Screw	(2)	32	45-88-0550	Thrust Washer	(2)
	8	Carbon Brush	(2)	33	02-80-0100	Thrust Bearing	(1)
	9	Washer	(2)	34	40-50-6600	Separator Spring	(1)
	10	Brush Holder Assy.	(2)	35	42-66-0751	Drive Chuck (Includes Figs. 36 thru 38)	(1)
	11	10-32x1/4 Hdl. Skt. Screw	(2)	36	02-50-1610	Needle Bearing	(1)
★	12	Nameplate	(1)	37	02-55-0150	Loose Roller Bearing	(1)
★	13	6x1/4 Round Hd. Type Z Screw	(2)	38	40-50-1450	Bit Retaining Spring	(1)
★	14	L. H. Handle Half	(1)	39	02-50-4050	Needle Bearing	(1)
★	15	Motor Housing (Includes Fig. 16)	(1)	40	06-81-6740	8-32x2 Fil. Hd. Sem	(2)
	16	Ball Bearing Retaining Slug	(1)	41	06-81-6550	8-32x1-1/2 Fil. Hd. Sem	(2)
	17	Ball Bearing	(1)	42	48-32-2500	Bit Housing	(1)
★	18	120 V. Field	(1)	43	49-26-0250	1/4 Hex Socket Locator	(1)
	19	120 V. Armature	(1)		49-26-0312	5/16 Hex Socket Locator	(1)
	20	6-32x1-7/8 Fil. Hd. Sems	(2)		49-26-0375	3/8 Hex Socket Locator	(1)
	21	Ball Bearing	(1)	44	49-26-0600	Washer Head Screw Locator	(1)
	22	Diaphragm	(1)	45	49-66-3016	5/16 Hex Socket	(1)
	23	Needle Bearing	(1)	★ 46	10-98-5986	Caution Label (Not Shown)	(1)
	24	Nylon Thrust Washer	(1)			Omit For Canadian Tools	
	25	Intermediate Gear	(1)				