



SERVICE PARTS LIST

BULLETIN NO.
54-42-5505

SPECIFY CATALOG NO. AND SERIAL NO. WHEN ORDERING PARTS		REVISED BULLETIN 54-42-5504	DATE Oct. '86
T.S.C. POSITIVE DRIVE REV. SCREW DRIVER			
CATALOG NO. 6798-1	STARTING SERIAL NO. 450-182110	WIRING INSTRUCTION 58-01-0653	
CAT. NO.	START SER. NO.	BILINGUAL LABEL	

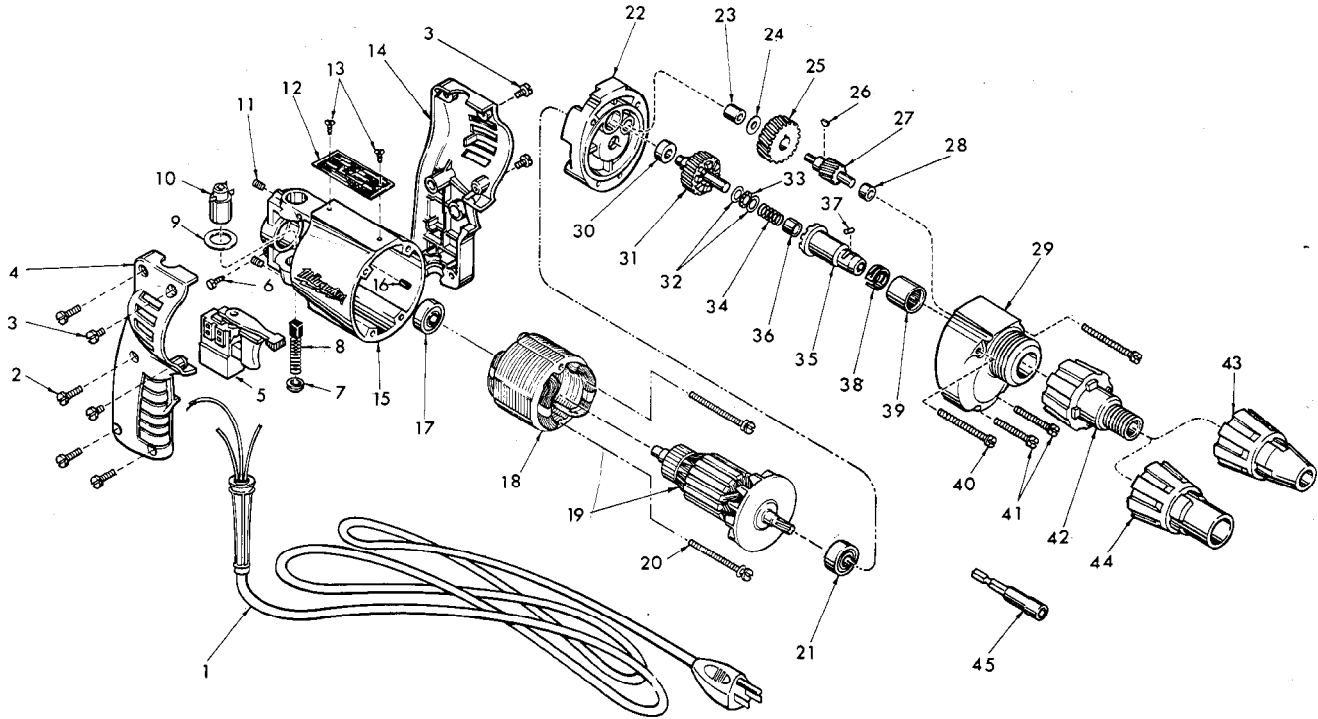


FIG.	PART NO.	DESCRIPTION OF PART	NO. REQ.	FIG.	PART NO.	DESCRIPTION OF PART	NO. REQ.
1	22-64-0665	Cord Set	(1)	26	06-42-0400	Woodruff Key	(1)
2	06-95-0220	8-18x3/4 Thread Form Screw	(4)	27	36-66-4100	Intermediate Pinion Shaft	(1)
3	06-95-0209	8-32 x 3/8 Taptite Screw	(4)	28	02-50-1635	Needle Bearing	(1)
4	31-44-1360	R. H. Handle Half	(1)	29	28-14-1210	Gear Case (Includes 06-65-0825 Groove Pin)	(1)
5	23-66-1245	Rev. Speed Control Switch	(1)	30	02-08-0210	Ball Bearing	(1)
6	06-81-8625	6-32x1/4 Ground Screw	(1)	31	32-10-2500	Clutch Gear	(1)
7	23-44-0020	Brush Retaining Screw	(2)	32	45-88-0550	Thrust Washer	(2)
8	22-18-0362	Carbon Brush	(2)	33	02-80-0100	Thrust Bearing	(1)
9	23-86-0105	Washer	(2)	34	40-50-6600	Separator Spring	(1)
10	22-22-1251	Brush Holder Assy.	(2)	35	42-66-0751	Drive Chuck (Includes Figs. 36 thru 38)	(1)
11	06-83-2430	10-32x1/4 Hdls. Skt. Screw	(2)	36	02-50-1610	Needle Bearing	(1)
12	12-99-0019	Nameplate	(1)	37	02-55-0150	Loose Roller Bearing	(1)
13	06-85-0200	6x1/4 Round Hd. Type Z Screw	(2)	38	40-50-1450	Bit Retaining Spring	(1)
14	31-44-1355	L. H. Handle Half	(1)	39	02-50-4050	Needle Bearing	(1)
15	28-50-6096	Motor Housing (Includes Fig. 16)	(1)	40	06-81-6740	8-32x2 Fil. Hd. Sem	(2)
16	45-30-0120	Ball Bearing Retaining Slug	(1)	41	06-81-6550	8-32x1-1/2 Fil. Hd. Sem	(2)
17	02-04-0740	Ball Bearing	(1)	42	48-32-2500	Bit Housing	(1)
18	18-10-0025	120 V. Field	(1)	43	49-26-0250	1/4 Hex Socket Locator	(1)
19	16-10-0590	120 V. Armature	(1)	49-26-0312	5/16 Hex Socket Locator	(1)	
20	06-81-5950	6-32x1-7/8 Fil. Hd. Sems	(2)	49-26-0375	3/8 Hex Socket Locator	(1)	
21	02-04-0880	Ball Bearing	(1)	44	49-26-0600	Washer Head Screw Locator	(1)
22	28-28-1451	Diaphragm	(1)	45	49-66-3016	5/16 Hex Socket	(1)
23	02-50-1210	Needle Bearing	(1)	46	10-98-5986	Caution Label (Not Shown)	(1)
24	45-88-7280	Nylon Thrust Washer	(1)				
25	32-40-1611	Intermediate Gear	(1)				