



SERVICE PARTS LIST

BUL.54-42-5400

TEK SCREWDRIVER

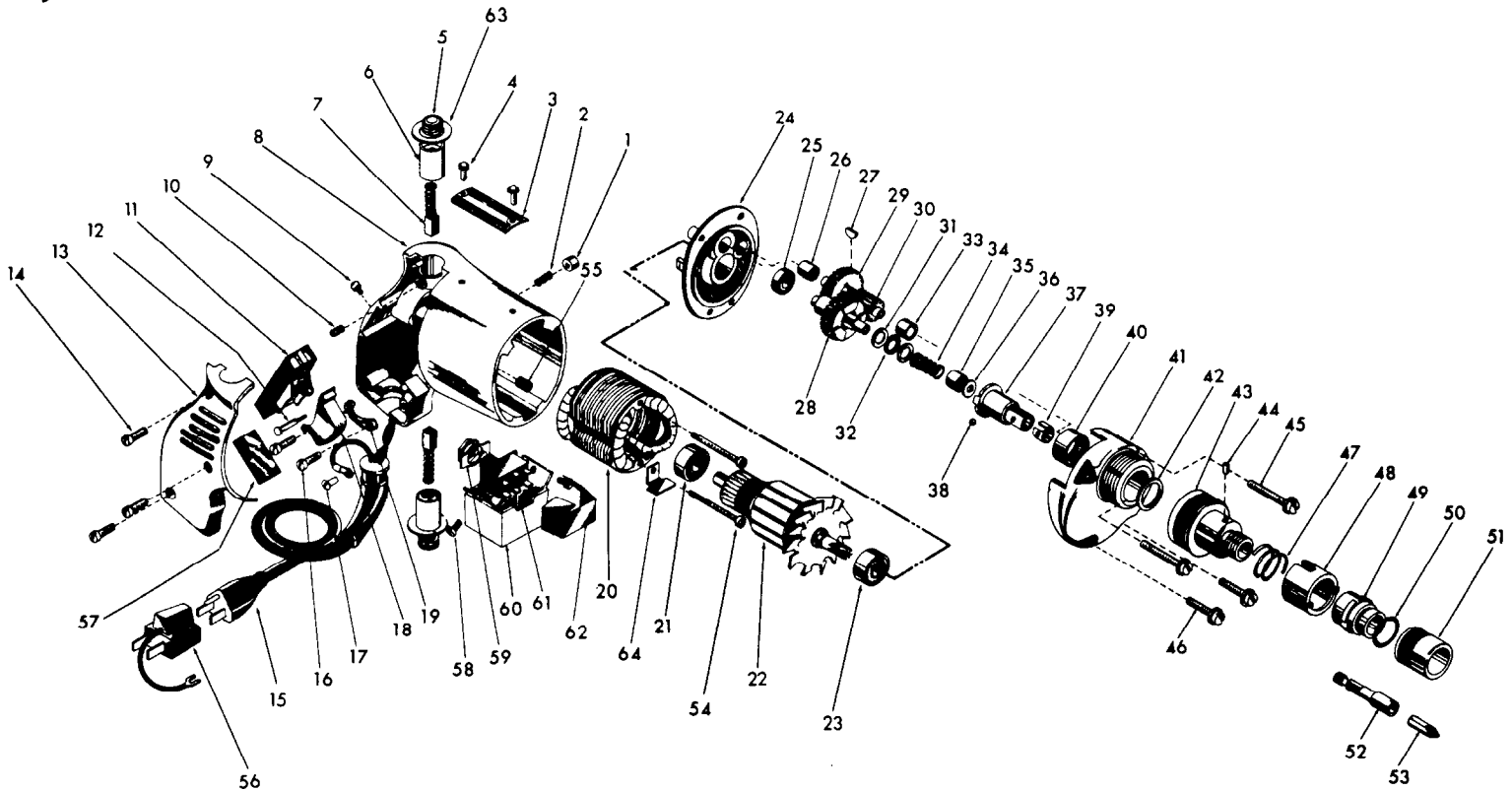
REVISED BUL 6391-1 DATE April '68

Catalog No. 6795-1

Starting Serial No. **391-1001**

WIRING INSTR.

Both Model and Serial No. must be furnished to obtain correct parts.



ILLUSTRATED PARTS

FIG.	PART NO.	DESCRIPTION OF PART	NO.REQ.	FIG.	PART NO.	DESCRIPTION OF PART	NO.REQ.
1	42-42-0061	Trigger Lock Button		34	40-50-6600	Separator Spring	
2	40-50-1200	Trigger Lock Spring		35	02-50-1610	Needle Bearing	
3	12-98-0600	Name Plate		36	45-88-0540	Back-Up Washer	
4	06-81-4300	3-48x3/16 Rd.Hd. Name Plate Screws (2)	(2)	37	42-66-0402	Chuck Assy.	
5	23-44-0020	Brush Retaining Cap	(2)	38	02-02-0150	5/32 Dia. Ball	
6	22-22-0050	Brush Holder Assy.	(2)	39	40-50-1400	Bit Retaining Spring	
7	22-18-0090	Carbon Brush Assy.	(2)	40	02-50-4030	Needle Bearing	
8	28-50-4523	Motor Housing		41	28-14-1201	Gear Case	
9	06-81-5800	6-32x5/16 Fil. Hd. Sems Switch Mtg. Scr.		42	45-06-0065	Spindle Oil Seal	
10	06-83-0100	10-32x1/4 Hd'less Slotted Br.Hd. Scr. (2)	(2)	43	43-76-0277	Bit Housing Assy.	
11	23-66-0280	Switch		44	06-65-1520	Roll Pin (Incl. with Item 43)	
12	44-70-0071	Trigger Lock Shaft		45	06-81-6550	8-32x1 1/2 Fil.Hd. Sems Gear Case Screws	(2)
13	28-20-3002	Handle Cover		46	06-81-6350	8-32x1 Fil. Hd. Sems Gear Case Screws	(2)
14	06-81-6150	8-32x1/2 Fil. Hd. Sems Handle Cover Sr. (3)	(3)	47	40-50-7640	Locking Collar Spring	
15	22-64-0170	Cord Set		48	42-76-0161	Locking Collar	
16	06-81-6150	8-32x1/2 Fil.Hd. Sems Cord Clamp Srs. (2)	(2)	49	44-18-0061	Locator	
17	06-81-8625	6-32x1/4 (Bronze) Rd. Hd. Ground Screw		50	34-40-1110	"O" Ring	
18	28-92-0101	Switch Trigger		51	45-22-0261	Locator Sleeve	
19	28-17-0400	Cord Clamp		52	49-66-3005	1/4 One Piece Socket with Extension	
20	18-22-1151	Field			49-66-3015	5/16 One Piece Socket with Extension	
21	02-04-0740	Ball Bearing			49-66-3025	3/8 One Piece Socket with Extension	
22	16-22-1251	Armature Assy.		53	48-32-1050	No. 2 Insert Bit	
23	02-04-0880	Ball Bearing			48-32-1070	No. 3 Insert Bits	
24	28-28-1381	Diaphragm		54	06-81-5950	6-32x1-7/8 Fil. Hd. Field Screws	(2)
25	02-08-0210	Ball Bearing		55	45-30-0060	Ball Bearing Ret. Slug	
26	02-50-1210	Needle Bearing		56	48-03-0010	Attachment Plug Adaptor	
27	06-42-0400	Woodruff Key		57	23-16-0265	Switch Insulator	
28	32-10-0101	Clutch Gear Assy.		58	06-81-5800	6-32x5/16 Fil.Hd. Sems Rev.Switch Hsg.Srs.(2)	(2)
29	32-40-1041	Intermediate Gear		59	22-75-0055	Switch Dial	
30	36-66-4051	Intermediate Pinion Shaft		60	28-50-7041	Reverse Switch Housing	
31	45-88-0550	Thrust Washer	(2)	61	23-66-0220	Reversing Switch w/Nuts	
32	02-80-0100	Thrust Bearing		62	23-16-0290	Switch Insulator	
33	02-50-1620	Needle Bearing		63	23-86-0070	Insulating Washer	
				64	42-14-0060	Wire Baffle	