

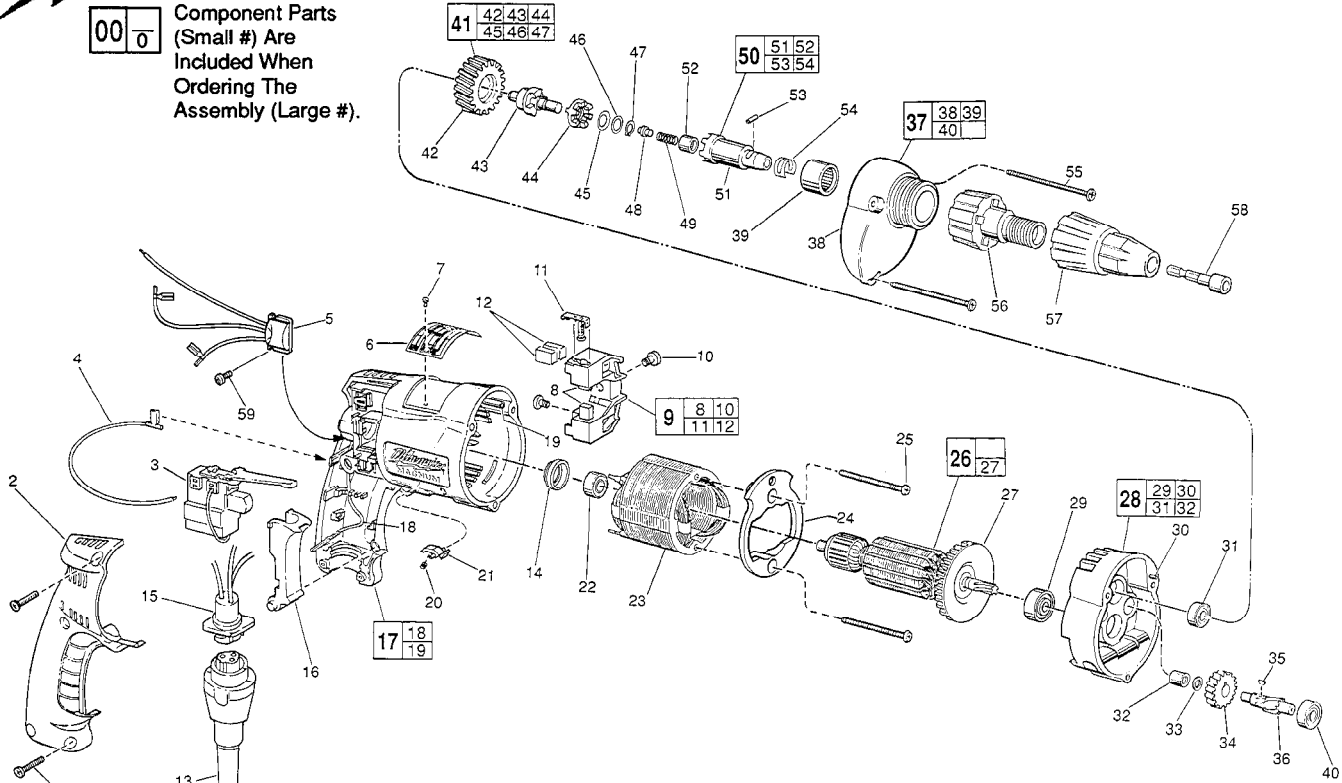


SERVICE PARTS LIST

BULLETIN NO.
54-42-0096

| | | | |
|--|--------------------------------------|---|----------|
| SPECIFY CATALOG NO. AND SERIAL NO. WHEN ORDERING PARTS | | REVISED BULLETIN | DATE |
| MAGNUM SCREW-SHOOTER | | 54-42-0095 | Mar. '95 |
| CATALOG NO. 6793-1 | STARTING SERIAL NO. 695-53481 | WIRING INSTRUCTION 58-01-1600 | |

EXAMPLE:
Component Parts (Small #) Are Included When Ordering The Assembly (Large #).



| FIG. | PART NO. | DESCRIPTION OF PART | NO. REQ. |
|------|----------|---|----------|
| | 1 | 06-82-7266 7-18 x 11/16" Plastite T-20 | (5) |
| ★ | 2 | 31-15-0402 Handle Cover | (1) |
| | 3 | 23-66-1665 Reversing Switch | (1) |
| | 4 | 23-94-6245 2-1/4" Lead Assembly | (1) |
| ★ | 5 | 14-20-0765 Remote Electronic Assembly | (1) |
| | 6 | 12-99-0081 Nameplate Blank | (1) |
| ★ | 7 | 06-72-1720 Nameplate Rivet | (2) |
| | 8 | 22-16-0275 Carbon Brush | (2) |
| | 9 | 22-22-0351 BrushHolder Assembly | (1) |
| | 10 | 31-75-0040 Brush Holder Screw | (2) |
| | 11 | 22-20-0345 Brush Spring Assembly | (2) |
| | 12 | 22-16-0275 Carbon Brush (Spares) | (2) |
| | 13 | 48-76-4008 Cord Set | (1) |
| | 14 | 22-72-0100 Bearing Cup | (1) |
| | 15 | 22-56-0630 Pin Housing Assembly | (1) |
| | 16 | 45-72-0080 Trigger | (1) |
| | 17 | 14-38-0540 Motor Housing Assembly | (1) |
| | 18 | 23-94-9960 Ground Wire Assembly | (1) |
| | 19 | 44-60-1290 Grounding Pin | (1) |
| | 20 | 40-50-0085 Lock Button Spring | (1) |
| ★ | 21 | 42-42-0460 Lock Button | (1) |
| | 22 | 02-04-0645 Ball Bearing | (1) |
| | 23 | 18-11-0075 120 Volt Field | (1) |
| ★ | 24 | 42-14-0390 Baffle | (1) |
| ★ | 25 | 06-82-7398 7-18 x 2-1/16" Pan Hd. Plastite T-20 | (2) |
| ★ | 26 | 16-10-0800 120 Volt Armature Assembly | (1) |
| ★ | 27 | 22-84-0880 Fan Assembly | (1) |
| | 28 | 14-13-0475 Diaphragm Assembly | (1) |
| | 29 | 02-04-0847 Ball Bearing | (1) |
| | 30 | 06-65-0825 1/8 x 1/2 Groove Pin | (1) |
| | 31 | 02-04-0645 Ball Bearing | (1) |
| | 32 | 02-50-1620 Needle Bearing | (1) |
| | 33 | 45-88-7721 Heat Treated Washer | (1) |
| | 34 | 32-40-1815 Intermediate Gear | (1) |

| FIG. | PART NO. | DESCRIPTION OF PART | NO. REQ. |
|------|----------|--|----------|
| | 35 | 06-42-0400 Woodruff Key | (1) |
| | 36 | 36-66-4280 Intermediate Pinion | (1) |
| | 37 | 14-30-0340 Gear Case Assembly | (1) |
| | 38 | ----- Gear Case | (1) |
| | 39 | 02-50-4050 Needle Bearing | (1) |
| | 40 | 02-04-0640 Ball Bearing | (1) |
| | 41 | 32-10-4030 Clutch Gear Assembly | (1) |
| | 42 | 32-75-2940 Spindle Gear | (1) |
| | 43 | 36-14-0680 Gear Shaft | (1) |
| | 44 | 42-70-5030 Drive Clutch | (1) |
| | 45 | 45-88-0705 Spring Washer | (1) |
| | 46 | 45-88-0550 Flat Washer | (1) |
| | 47 | 34-60-0510 External Retaining Ring | (1) |
| | 48 | 44-60-0500 Thrust Pin | (1) |
| | 49 | 40-50-0080 Separator Spring | (1) |
| | | 14-73-0120 Chuck Shaft Assembly | (1) |
| | 51 | 42-66-6770 Chuck Shaft | (1) |
| | 52 | 02-50-1615 Needle Bearing | (1) |
| | 53 | 02-55-0150 Loose Roller Bearing | (1) |
| | 54 | 40-50-1450 Bit Retaining Spring | (1) |
| | 55 | 06-82-7411 7-18 x 2-3/16" Pan Hd. T-20 | (3) |
| | 56 | 48-32-2500 Bit Housing | (1) |
| | 57 | 49-26-0250 Locator 1/4" Hex Socket | (1) |
| | | 49-26-0312 Locator 5/16" Hex Socket | (1) |
| | | 49-26-0375 Locator 3/8" Hex Socket | (1) |
| | 58 | 49-66-3016 5/16" Socket Extension - Magnetic | (1) |
| | 59 | 06-82-7212 4-20 x 1/4" Pan Hd. Plastite T-10 | (2) |
| | | 10-98-5986 Warning Label | (1) |

FIG. LUBRICATION
38 1-1/2 Oz. Type "E" Grease, No. 49-08-4122.
Place Grease Near Intermediate Shaft Ball Bearing In Gear Case.