



SERVICE PARTS LIST

BUL. 54-42-5301

SCREWDRIVER

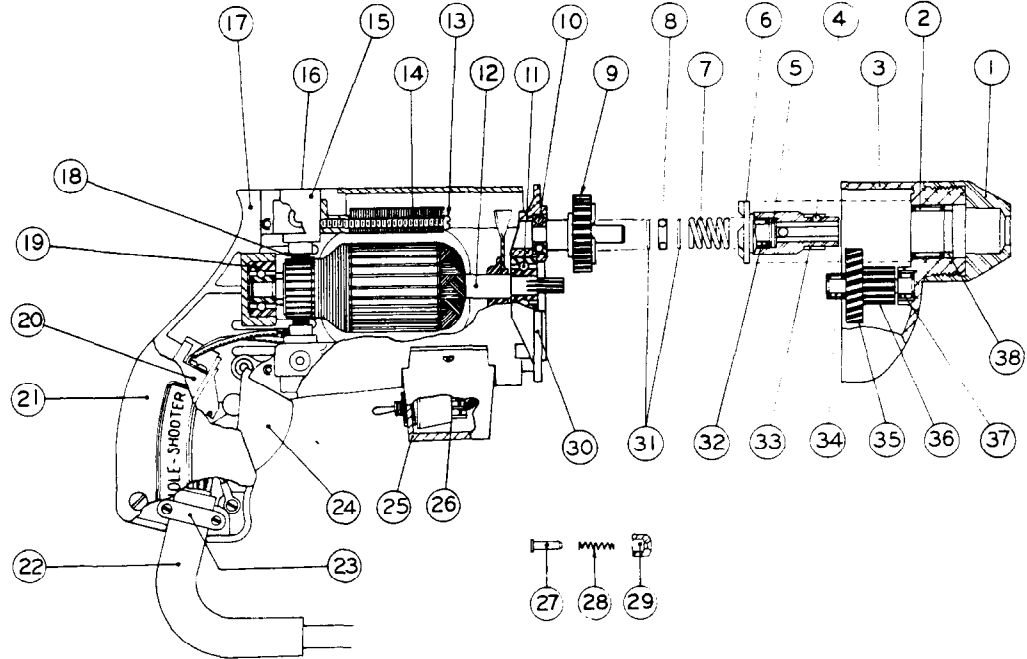
REVISED BUL 6374-2 DATE Feb. '68

Catalog No. 6790-1

Starting Serial No. **374-2700**

WIRING INSTR.

Both Model and Serial No. must be furnished to obtain correct parts.



ILLUSTRATED PARTS

FIG.	PART NO.	DESCRIPTION OF PART	NO. REQ.	FIG.	PART NO.	DESCRIPTION OF PART	NO. REQ.
1	42-52-0121	Nose Cap		20	23-66-0280	Switch	
2	02-50-4030	Needle Bearing		21	28-20-3002	Handle Cover	
3	28-14-1201	Gear Case		22	22-64-0170	Cord Set	
4	02-02-0150	5/32 Dia. Ball		23	28-17-0400	Cord Clamp	
5	45-88-0540	Backup Washer		24	28-92-0101	Switch Trigger	
★ 6	42-66-0402	Chuck		25	28-50-7041	Reversing Switch Housing	
7	40-50-6600	Separator Spring		26	23-66-0220	Reversing Switch	
8	02-80-0100	Thrust Bearing		27	44-70-0071	Trigger Lock Plunger	
★ 9	32-10-0092	Clutch Gear		28	40-50-1200	Trigger Lock Spring	
10	02-08-0210	Ball Bearing		29	42-42-0061	Trigger Lock Button	
11	02-04-0880	Ball Bearing		30	28-28-1381	Diaphragm	
12	16-22-1231	Armature		31	45-88-0550	Thrust Washer	(2)
13	06-81-5950	6-32x1-7/8 Fil. Hd. Field Screws	(2)	32	02-50-1610	Needle Bearing	
14	18-22-1121	Field Assembly		33	40-50-1400	Bit Retaining Spring	
15	22-22-0050	Brush Holder Assembly	(2)	34	02-50-1210	Needle Bearing	
16	23-44-0020	Brush Retaining Cap	(2)	35	32-40-1041	Intermediate Gear	
17	28-50-4523	Motor Housing		36	36-66-3901	Intermediate Pinion Shaft	
18	22-18-0090	Carbon Brush Assembly	(2)	37	02-50-1620	Needle Bearing	
19	02-04-0740	Ball Bearing		38	45-06-0065	Spindle Oil Seal	

MISCELLANEOUS PARTS NOT SHOWN

PART NO.	DESCRIPTION OF PART	NO. REQ.	PART NO.	DESCRIPTION OF PART	NO. REQ.
06-42-0400	Woodruff Key		12-98-0600	Name Plate	
06-81-6350	8-32 x 1 Fil. Hd. Gear Case Sems	(2)	06-65-1524	5/64 x 3/16 Roll Pin	
06-65-0825	Type 5-1/8 x 1/2 Groove Pin		06-81-6550	8-32x1-1/2 Fil. Hd. Sem Gear Case Scrs.	(2)
06-81-5800	6-32x5/16 Fil. Hd. Sem Switch Mtg. Scr.		06-81-4300	3-48x3/16 Rd. Hd. Name Plate Screw	(2)
06-81-6150	8-32x1/2 Fil. Hd. Sems Handle Cover Scr. (3)		42-14-0060	Baffle	
06-81-8625	6-32x1/4 (Brass) Rd. Hd. Ground Screw Sem		45-30-0060	Ball Bearing Ret. Slug	
48-03-0010	Attachment Plug Adaptor		06-81-5800	6-32x5/16 Fil. Hd. Sem Rev. Switch Hsq. Scs.	(2)
06-83-0100	10-24x1/4 Hd'less Slotted Brush Holder Sc(2)		06-81-6150	8-32x1/2 Fil. Hd. Cord Clamp Sems	(2)
48-32-3050	Bit Holder		48-32-1050	No. 2 Phillips Insert	
★23-86-0070	Washer	(2)			