



# SERVICE PARTS LIST

BUL. 54-42-5300

## SCREWDRIVER

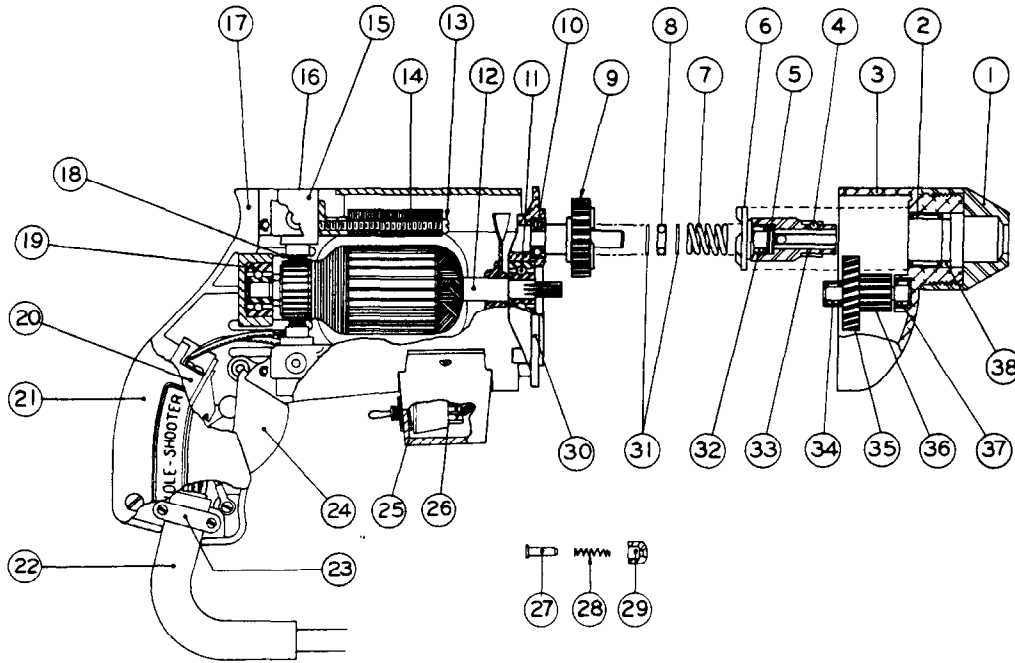
REVISED BUL 6374-1 DATE Feb. '68

Catalog No. 6790-1

Starting Serial No. 374-1001

WIRING INSTR.

Both Model and Serial No. must be furnished to obtain correct parts.



### ILLUSTRATED PARTS

FIG.	PART NO.	DESCRIPTION OF PART	NO.REQ.	FIG.	PART NO.	DESCRIPTION OF PART	NO.REQ.
1	42-52-0121	Nose Cap		20	23-66-0280	Switch	
2	02-50-4030	Needle Bearing		21	28-20-3002	Handle Cover	
3	28-14-1201	Gear Case		22	22-64-0170	Cord Set	
4	02-02-0150	5/32 Dia. Ball		23	28-17-0400	Cord Clamp	
5	45-88-0540	Backup Washer		24	28-92-0101	Switch Trigger	
6	42-66-0401	Chuck		25	28-50-7041	Reversing Switch Housing	
7	40-50-6600	Separator Spring		26	23-66-0220	Reversing Switch	
8	02-80-0100	Thrust Bearing		27	44-70-0071	Trigger Lock Plunger	
9	32-10-0091	Clutch Gear		28	40-50-1200	Trigger Lock Spring	
10	02-08-0210	Ball Bearing		29	42-42-0061	Trigger Lock Button	
11	02-04-0880	Ball Bearing		30	28-28-1381	Diaphragm	
12	16-22-1231	Armature		31	45-88-0550	Thrust Washer	(2)
13	06-81-5950	6-32x1-7/8 Fil. Hd. Field Screws	(2)	32	02-50-1610	Needle Bearing	
14	18-22-1121	Field Assembly		33	40-50-1400	Bit Retaining Spring	
15	22-22-0050	Brush Holder Assembly	(2)	34	02-50-1210	Needle Bearing	
16	23-44-0020	Brush Retaining Cap	(2)	35	32-40-1041	Intermediate Gear	
17	28-50-4523	Motor Housing		36	36-66-3901	Intermediate Pinion Shaft	
18	22-18-0090	Carbon Brush Assembly	(2)	37	02-50-1620	Needle Bearing	
19	02-04-0740	Ball Bearing		38	45-06-0065	Spindle Oil Seal	

### MISCELLANEOUS PARTS NOT SHOWN

PART NO.	DESCRIPTION OF PART	NO.REQ.	PART NO.	DESCRIPTION OF PART	NO.REQ.
06-42-0400	Woodruff Key		12-98-0600	Name Plate	
06-81-6350	8-32x1 Fil. Hd. Gear Case Sems	(2)	06-65-1524	5/64 x 3/16 Roll Pin	
06-65-0825	Type 5-1/8 x 1/2 Groove Pin		06-81-6550	8-32x1-1/2 Fil. Hd. Sem Gear Case Scrs.	(2)
06-81-5800	6-32x5/16 Fil. Hd. Sem Switch Mtg. Scr.		06-81-4300	3-48x3/16 Rd. Hd. Name Plate Screw	(2)
06-81-6150	8-32x1/2 Fil. Hd. Sems Handle Cover Scr.	(3)	42-14-0060	Baffle	
06-81-8625	6-32x1/4 (Brass) Rd. Hd. Ground Screw Sem		45-30-0060	Ball Bearing Ret. Slug	
48-03-0010	Attachment Plug Adaptor		06-81-5800	6-32x5/16 Fil. Hd. Sem Rev. Switch Hsq. Scs.	(2)
06-83-0100	10-24x1/4 Hd. less Slotted Brush Holder Sc(2)		06-81-6150	8-32x1/2 Fil. Hd. Cord Clamp Sems	(2)
48-32-3050	Bit Holder		48-32-1050	No. 2 Phillips Insert	