



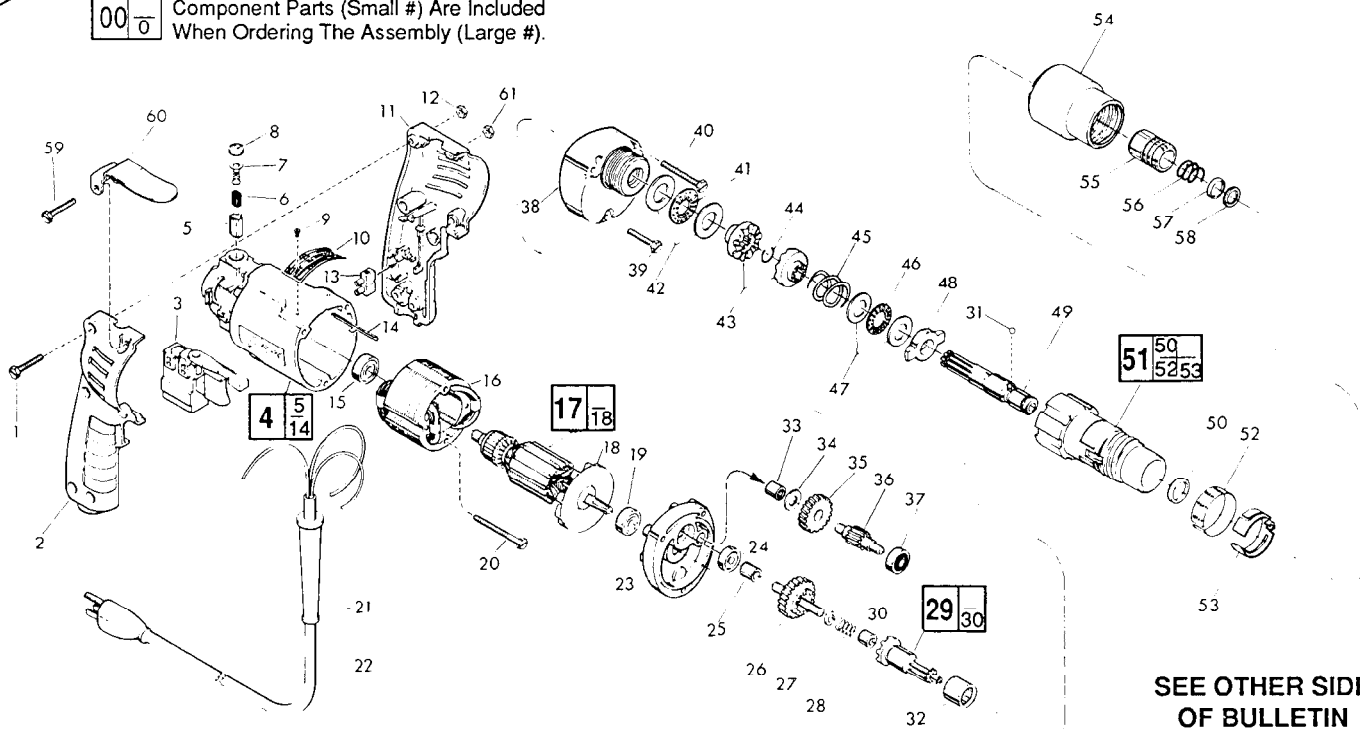
SERVICE PARTS LIST

BULLETIN NO.
54-42-0354

SPECIFY CATALOG NO. AND SERIAL NO. WHEN ORDERING PARTS		REVISED BULLETIN	DATE
ADJUSTABLE TORQUE SCREWDRIVER		54-42-0353	Mar. '88
CATALOG NO. 6783-1	STARTING SERIAL NO. 471-51500	WIRING INSTRUCTION 58-01-0015	

EXAMPLE:

00 0 Component Parts (Small #) Are Included
When Ordering The Assembly (Large #).



SEE OTHER SIDE
OF BULLETIN

FIG. PART NO.	DESCRIPTION OF PART	NO. REQ.
★ 1 06-82-2361	8-32x15/16" Slit. Plastite Torx Screw	(5)
★ 2 31-44-1130	Right Handle Half	(1)
★ 3 23-66-1245	Speed Control Switch	(1)
★ 4 31-50-0346	Motor Housing	(1)
★ 5 22-20-0530	Brush Tube	(2)
★ 6 22-16-0275	Carbon Brush	(2)
★ 7 23-52-0210	Brush Spring Assembly	(2)
★ 8 23-44-0120	Brush Retaining Screw	(2)
9 06-85-0200	Nameplate Screw	(2)
★ 10 12-99-0445	Nameplate Blank	(1)
★ 11 31-44-1140	Left Handle Half	(1)
★ 12 06-55-0835	8-32 Hex Nut	(5)
★ 13 22-56-0456	Terminal Block	(1)
★ 14 44-60-0530	Ground Pin	(1)
★ 15 02-04-0645	Ball Bearing	(1)
★ 16 18-10-0130	120 V. Field	(1)
★ 17 16-10-0591	120 V. Armature	(1)
★ 18 22-84-0440	Fan Assembly	(1)
★ 19 02-04-0848	Ball Bearing	(1)
★ 20 06-82-7393	7-18x2" Pan Hd. Slit. Plastite Torx Screw	(2)
★ 21 44-76-0130	Cord Protector	(1)
★ 22 22-64-1120	Cord Set	(1)
★ 23 28-28-1800	Diaphragm	(1)
★ 24 02-04-0645	Ball Bearing	(1)
★ 25 45-36-1280	Spacer	(1)
★ 26 32-10-4045	Clutch Gear Assembly	(1)
★ 27 45-88-0712	Thrust Washer	(1)
28 40-50-6600	Separator Spring	(1)
★ 29 14-73-0250	Clutch Shaft Assembly	(1)
★ 30 02-50-2400	Needle Bearing	(1)
★ 31 02-02-0130	Steel Ball	(1)
★ 32 02-50-4225	Needle Roller Bearing	(1)
★ 33 02-50-2410	Needle Bearing	(1)
★ 34 45-88-7990	Thrust Washer	(1)
★ 35 32-40-1612	Intermediate Gear	(1)
★ 36 36-66-4101	Intermediate Pinion Shaft	(1)
★ 37 02-04-0640	Ball Bearing	(1)

FIG. PART NO.	DESCRIPTION OF PART	NO. REQ.
★ 38 14-30-0600	Gear Case Assembly	(1)
★ 39 06-82-7344	7-18x1-1/2" Pan Hd. Slit. Plast. Torx Screw	(1)
★ 40 06-82-7440	7-18x2-1/2" Pan Hd. Slit. Plast. Torx Screw	(2)
41 02-80-1210	Thrust Bearing	(1)
42 45-88-0510	Thrust Bearing Washer	(2)
★ 43 42-70-5016	Drive Clutch	(2)
44 34-60-0545	Retaining Ring	(1)
★ 45 40-50-8000	Clutch Spring	(1)
46 02-80-6020	Thrust Bearing	(1)
47 45-88-7150	Thrust Bearing Washer	(2)
★ 48 44-90-4280	Adjustment Ring	(1)
★ 49 42-66-0676	Chuck Shaft	(1)
★ 50 45-06-0106	Oil Seal	(1)
★ 51 14-08-0190	Clutch Housing Assembly	(1)
★ 52 10-79-3100	Torque Setting Label	(1)
★ 53 42-16-0140	Adjustment Band	(1)
★ 54 42-76-0460	Adjustment Collar	(1)
★ 55 42-76-0390	Locking Collar	(1)
★ 56 40-50-8005	Compression Spring	(1)
★ 57 45-36-1300	Spacer	(1)
★ 58 34-60-2390	Retaining Ring	(1)
★ 59 06-82-2363	8-32x1" Pan Hd. Slotted Torx Screw	(1)
★ 60 42-70-0280	Belt Clip	(1)
★ 61 06-55-0825	8-32 Hex Nut	(1)
★ 49-66-3016	5/16" Hex Socket	(1)

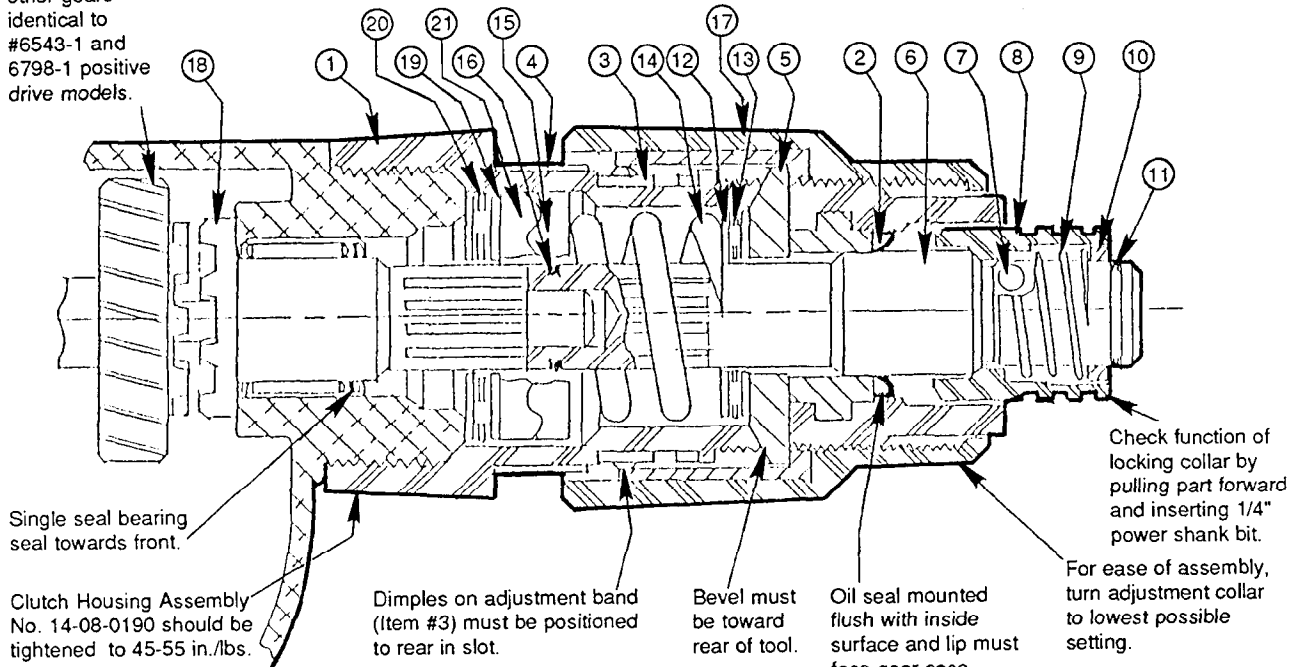
FIG. LUBRICATION
 38 1-1/2 Oz. Type "E" Grease, No. 49-08-4121.
 43 1/16 Oz. Type "F" Grease, No. 49-08-4130 On Clutch Faces.
 41,46,50 Apply Small Amount of Type "F" Grease, No. 49-08-4130.
 48 Apply Small Amount of Type "F" Grease, No. 49-08-4130 On Tabs.

MILWAUKEE ELECTRIC TOOL CORPORATION
 13135 W. LISBON RD., BROOKFIELD, WI 53005



**PARTS LIST IN ORDER OF ASSEMBLY
ADJUSTABLE TORQUE SCREWDRIVER
CAT. NO. 6583-1 AND 6783-1**

Clutch gear and other gears identical to #6543-1 and 6798-1 positive drive models.



LUBRICATION

Apply 1/16 oz. Type "F" Grease on clutch faces of drive clutch (#15 & #21). Apply small amount of Type "F" Grease on trust bearings (#13 & #20, oil seal lip #2 and tabs of adjustment ring #5).

Drive clutches must slide back and forth freely on shaft splines. Defective splines that stick will not function properly.

	ITEM NO.	PART NO.	DESCRIPTION	
Clutch Housing Assembly No. 14-08-0190	1	43-76-0550	Clutch Housing (Includes Bushing No. 42-40-0920)	Clutch Sub-Assembly
	2	45-06-0106	Oil Seal	
	3	42-16-0140	Adjustment Band	
	4	10-79-3100	Torque Setting Label	
	5	44-90-4280	Adjustment Ring	
Sub-Assembly	6	42-66-0676	Chuck Shaft	
	7	02-02-0130	Steel Ball	
	8	42-76-0390	Locking Collar	
	9	40-50-8005	Spring	
	10	45-36-1300	Spacer	
	11	34-60-2390	Retaining Ring	
	12	45-88-7150	Thrust Washers (2 each) (Place on each side of Item # 13)	
	13	02-80-6020	Thrust Bearing	
	14	40-50-8000	Clutch Spring	
	15	42-70-5016	Drive Clutch	
	16	34-60-0545	Retaining Ring	
	17	42-76-0460	Adjustment Collar (Includes Insert No. 43-84-0740)	Not In Order Of Assembly
	18	14-73-0250	Clutch Shaft Assembly (Includes Clutch Shaft No. 36-14-0661 and Needle Bearing No. 02-50-2400)	
	19	45-88-0510	Thrust Bearing Washers (2 each) (Place on each side of Item # 20)	
	20	02-80-1210	Thrust Bearing	
	21	42-70-5016	Drive Clutch	