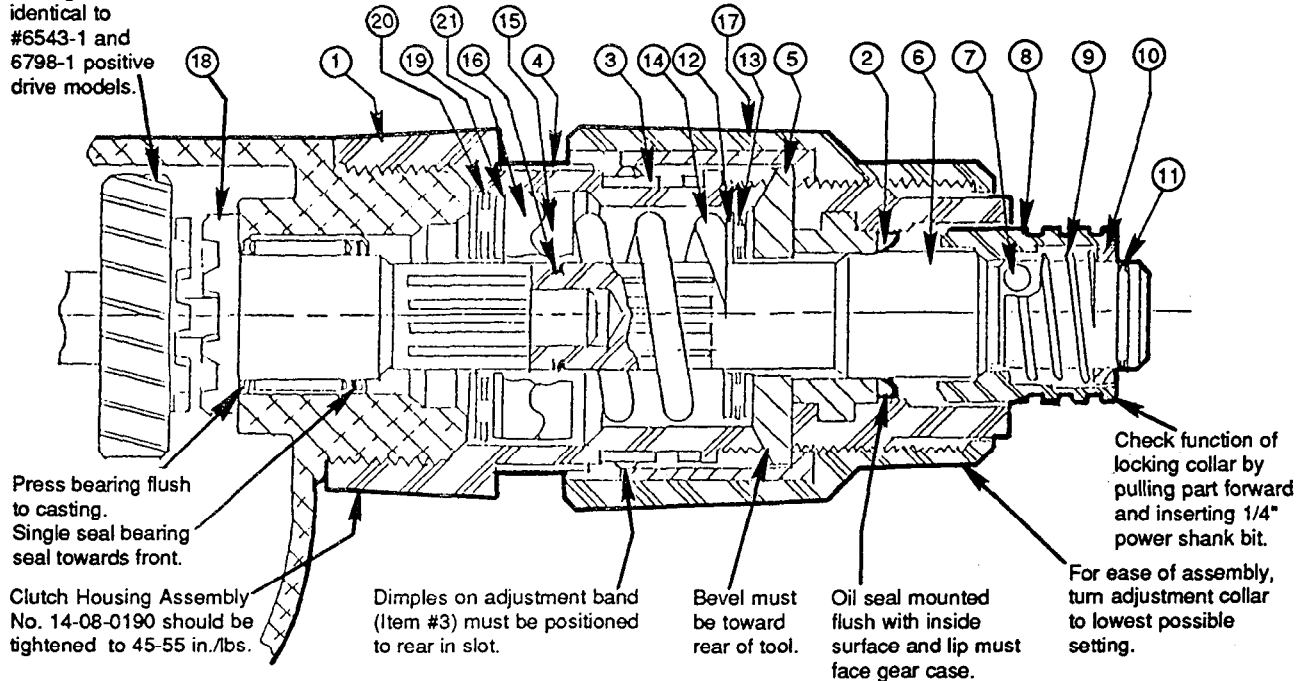




**PARTS LIST IN ORDER OF ASSEMBLY
ADJUSTABLE TORQUE SCREWDRIVER
CAT. NO. 6583-1 AND 6783-1**

Clutch gear and other gears identical to #6543-1 and 6798-1 positive drive models.



LUBRICATION

Apply 1/16 oz. Type "F" Grease on clutch faces of drive clutch (#15 & #21). Apply small amount of Type "F" Grease on trust bearings (#13 & #20, oil seal lip #2 and tabs of adjustment ring #5).

Drive clutches must slide back and forth freely on shaft splines. Defective splines that stick will not function properly.

	ITEM NO.	PART NO.	DESCRIPTION	
Clutch Housing Assembly No. 14-08-0190	1	43-76-0550	Clutch Housing (Includes Bushing No. 42-40-0920)	Clutch Sub-Assembly
	2	45-06-0106	Oil Seal	
	3	42-16-0140	Adjustment Band	
Sub-Assembly	4	10-79-3100	Torque Setting Label	
	5	44-90-4280	Adjustment Ring	
	6	42-66-0676	Chuck Shaft	
	7	02-02-0130	Steel Ball	
	8	42-76-0390	Locking Collar	
	9	40-50-8005	Spring	
	10	45-36-1300	Spacer	
	11	34-60-2390	Retaining Ring	
	12	45-88-7150	Thrust Washers (2 each) (Place on each side of Item # 13)	
	13	02-80-6020	Thrust Bearing	
	14	40-50-8000	Clutch Spring	
15	42-70-5016	Drive Clutch		
16	34-60-0545	Retaining Ring		
	17	42-76-0460	Adjustment Collar (Includes Insert No. 43-84-0740)	Not in Order Of Assembly
	18	14-73-0250	Clutch Shaft Assembly (Includes Clutch Shaft No. 36-14-0661 and Needle Bearing No. 02-50-2400)	
	19	45-88-0510	Thrust Bearing Washers (2 each) (Place on each side of Item # 20)	
	20	02-80-1210	Thrust Bearing	
	21	42-70-5016	Drive Clutch	