



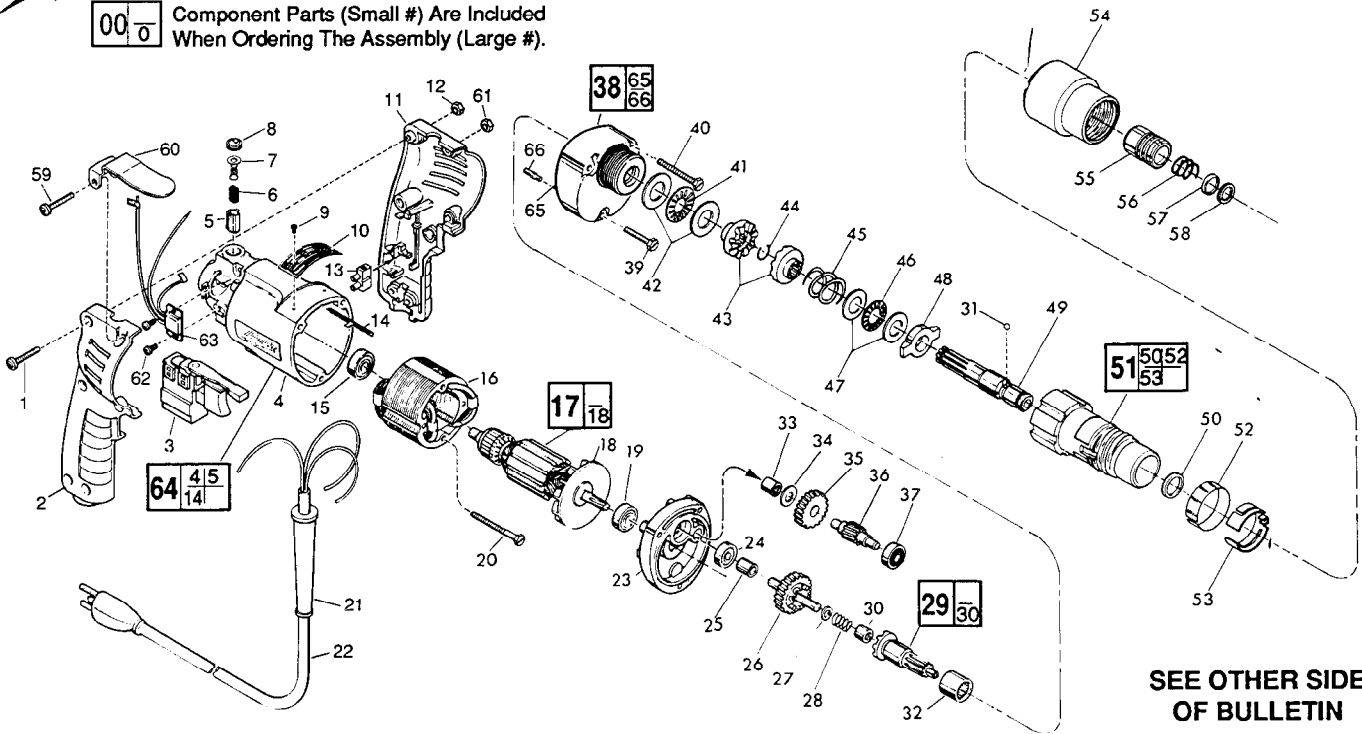
SERVICE PARTS LIST

BULLETIN NO.
54-42-0355

SPECIFY CATALOG NO. AND SERIAL NO. WHEN ORDERING PARTS		REVISED BULLETIN 54-42-0354	DATE Sept. '90
ADJUSTABLE TORQUE SCREWDRIVER			
CATALOG NO. 6783-1	STARTING SERIAL NO. 471-54000	WIRING INSTRUCTION 58-01-0018	

EXAMPLE:

Component Parts (Small #) Are Included When Ordering The Assembly (Large #).



SEE OTHER SIDE OF BULLETIN

FIG.	PART NO.	DESCRIPTION OF PART	NO. REQ.
1	06-82-2361	8-32x15/16" Slit. Plastite Torx Screw	(5)
2	31-44-1130	Right Handle Half	(1)
★ 3	23-66-1655	Speed Control Switch	(1)
4	31-50-0346	Motor Housing	(1)
5	22-20-0530	Brush Tube	(2)
6	22-16-0275	Carbon Brush	(2)
7	23-52-0210	Brush Spring Assembly	(2)
8	23-44-0120	Brush Retaining Screw	(2)
9	06-85-0200	Nameplate Screw	(2)
10	12-99-0445	Nameplate Blank	(1)
11	31-44-1140	Left Handle Half	(1)
12	06-55-0835	8-32 Hex Nut	(5)
13	22-56-0456	Terminal Block	(1)
14	44-60-0530	Ground Pin	(1)
15	02-04-0645	Ball Bearing	(1)
16	18-10-0130	120 V. Field	(1)
17	16-10-0591	120 V. Armature	(1)
18	22-84-0440	Fan Assembly	(1)
19	02-04-0848	Ball Bearing	(1)
20	06-82-7393	7-18x2" Pan Hd. Slit. Plastite Torx Screw	(2)
21	44-76-0130	Cord Protector	(1)
22	22-64-1120	Cord Set	(1)
23	28-28-1800	Diaphragm	(1)
24	02-04-0645	Ball Bearing	(1)
25	45-36-1280	Spacer	(1)
26	32-10-4045	Clutch Gear Assembly	(1)
27	45-88-0712	Thrust Washer	(1)
28	40-50-6600	Separator Spring	(1)
29	14-73-0250	Clutch Shaft Assembly	(1)
30	02-50-2400	Needle Bearing	(1)
31	02-02-0130	Steel Ball	(1)
32	02-50-4225	Needle Roller Bearing	(1)
33	02-50-2410	Needle Bearing	(1)
34	45-88-7990	Thrust Washer	(1)
35	32-40-1612	Intermediate Gear	(1)
36	36-66-4101	Intermediate Pinion Shaft	(1)
37	02-04-0640	Ball Bearing	(1)

FIG.	PART NO.	DESCRIPTION OF PART	NO. REQ.
38	14-30-0600	Gear Case Assembly	(1)
39	06-82-7344	7-18x1-1/2" Pan Hd. Slit. Plast. Torx Screw	(1)
40	06-82-7440	7-18x2-1/2" Pan Hd. Slit. Plast. Torx Screw	(2)
41	02-80-1210	Thrust Bearing	(1)
42	45-88-0510	Thrust Bearing Washer	(2)
43	42-70-5016	Drive Clutch	(2)
44	34-60-0545	Retaining Ring	(1)
45	40-50-8000	Clutch Spring	(1)
46	02-80-6020	Thrust Bearing	(1)
47	45-88-7150	Thrust Bearing Washer	(2)
48	44-90-4280	Adjustment Ring	(1)
49	42-66-0676	Chuck Shaft	(1)
50	45-06-0106	Oil Seal	(1)
51	14-08-0190	Clutch Housing Assembly	(1)
52	10-79-3100	Torque Setting Label	(1)
53	42-16-0140	Adjustment Band	(1)
54	42-76-0460	Adjustment Collar	(1)
55	42-76-0390	Locking Collar	(1)
56	40-50-8005	Compression Spring	(1)
57	45-36-1300	Spacer	(1)
58	34-60-2390	Retaining Ring	(1)
59	06-82-2363	8-32x1" Pan Hd. Slotted Torx Screw	(1)
60	42-70-0280	Belt Clip	(1)
61	06-55-0825	8-32 Hex Nut	(1)
★ 62	06-82-7212	4-20x1/4" Pan Hd. Slit. Plast. Torx	(2)
★ 63	14-20-0240	Remote Electronic Assembly	(1)
64	14-38-0375	Motor Housing Assembly	(1)
65	28-14-1960	Gear Case	(1)
66	06-65-0825	1/8 x 1/2 Groove Pin 5	(1)
	49-66-3016	5/16" Hex Socket	(1)

FIG. LUBRICATION

- 38 1-1/2 Oz. Type "E" Grease, No. 49-08-4121.
- 43 1/16 Oz. Type "F" Grease, No. 49-08-4130 On Clutch Faces.
- 41,46,50 Apply Small Amount of Type "F" Grease, No. 49-08-4130.
- 48 Apply Small Amount of Type "F" Grease, No. 49-08-4130 On Tabs.

MILWAUKEE ELECTRIC TOOL CORPORATION
13135 W. LISBON RD., BROOKFIELD, WI 53005