



SERVICE PARTS LIST

BUL. 54-42-5201

SPECIAL PURPOSE SCREWDRIVER

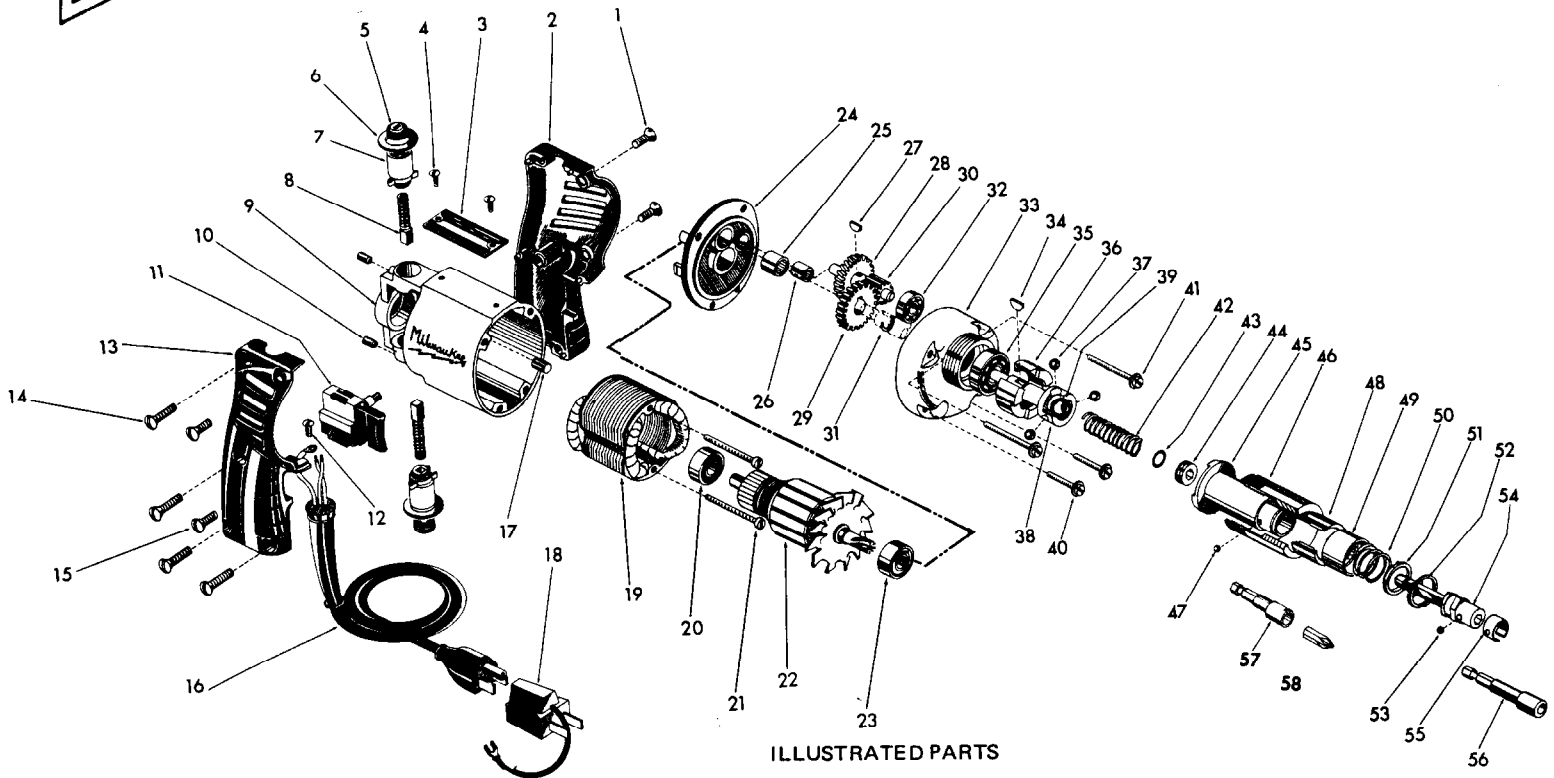
REVISED BUL 54-42-5200 DATE Oct, '68

Catalog No. 6781-1

Starting Serial No. **399-3603**

WIRING INSTR. **58-01-0060**

Both Model and Serial No. must be furnished to obtain correct parts.



ILLUSTRATED PARTS

FIG.	PART NO.	DESCRIPTION OF PART	FIG.	PART NO.	DESCRIPTION OF PART
★1	06-81-0450	8-32x3/8 Pan. Hd. Handle Mtg. Screw	(2)	34	06-42-0800 Woodruff Key
★2	31-44-0211	L. H. Handle Half		35	02-04-1020 Ball Bearing
3	12-98-0600	Name Plate		36	42-76-0171 Clutch Collar
4	06-81-4300	3-48x3/16 Rd. Hd. Name Plate Screws	(2)	37	02-02-0280 9/32 Dia. Driving Balls
5	23-44-0020	Brush Retaining Cap	(2)	38	38-50-4981 Spindle
6	23-86-0070	Insulating Washer	(2)	39	02-02-0560 9/16 Dia. Master Ball
7	22-22-0251	Brush Holder Assembly	(2)	40	06-81-6300 8-32x7/8 Fil. Hd. Sem Gear Case Scrs. (2)
8	22-18-0360	Carbon Brush Assembly	(2)	41	06-81-6550 8-32x1-1/2 Fil. Hd. Sem Gear Case Scrs. (2)
9	28-50-6091	Motor Housing		42	40-50-7650 Torque Limiting Spring
10	06-83-0100	10-32x1/4 Hd'less Slotted Br. Holder Scr.	(2)	43	34-60-0540 Retaining Ring
11	23-66-0520	Reversing Switch		44	45-04-0370 Adjusting Screw
12	06-81-8625	6-32x1/4 (Bronze) Rd. Hd. Ground Scrs.		45	43-12-0091 Chuck Driver
★13	31-44-0200	R. H. Handle Half		46	45-22-0270 Sleeve
★14	06-81-0400	8-32x3/4 Pan. Hd. Handle Mtg. Scr.	(4)	47	02-02-0120 1/8 Dia. Chuck Retaining Ball
★15	06-81-0450	8-32x3/8 Pan. Hd. Handle Mtg. Scr.	(2)	48	02-50-5600 Needle Bearing
16	22-64-0450	Cord Set		49	44-86-0171 Chuck Retainer
17	45-30-0120	Ball Bearing Ret. Slug		50	40-50-1000 Collar Stop Spring
18	48-03-0010	Attachment Plug Adaptor		51	45-88-7081 Spring Retaining Washer
19	18-22-1151	Field Assembly		52	34-60-1550 Retaining Ring
20	02-04-0740	Ball Bearing		53	02-02-0150 Bit Retaining Ball
21	06-81-5950	6-32x1-7/8 Fil. Hd. Field Screws	(2)	54	42-66-0441 Chuck
22	16-22-1251	Armature Assembly		55	40-50-1400 Bit Retaining Spring
23	02-04-0880	Ball Bearing		★56	49-66-3005 1/4 Socket & Ext. t
24	28-28-0221	Diaphragm			49-66-3015 5/16 Socket & Ext. t
25	02-50-1640	Needle Bearing			49-66-3025 3/8 Socket & Ext. t
26	02-50-1210	Needle Bearing		★57	48-32-3050 Insert Bit Holder
27	06-42-0400	Woodruff Key		★58	48-32-1050 No. 2 Insert Bit
28	32-40-1041	Intermediate Gear			48-32-1070 No. 3 Insert Bit
29	32-75-2691	Spindle Gear			
30	36-66-4061	Intermediate Pinion Shaft			
31	34-60-0600	Spindle Snap Ring			
32	02-04-0640	Ball Bearing			
33	28-14-0361	Gear Case			