



SERVICE PARTS LIST

BUL. 54-42-5200

SPECIAL PURPOSE SCREWDRIVER

REVISED BUL
6399-1

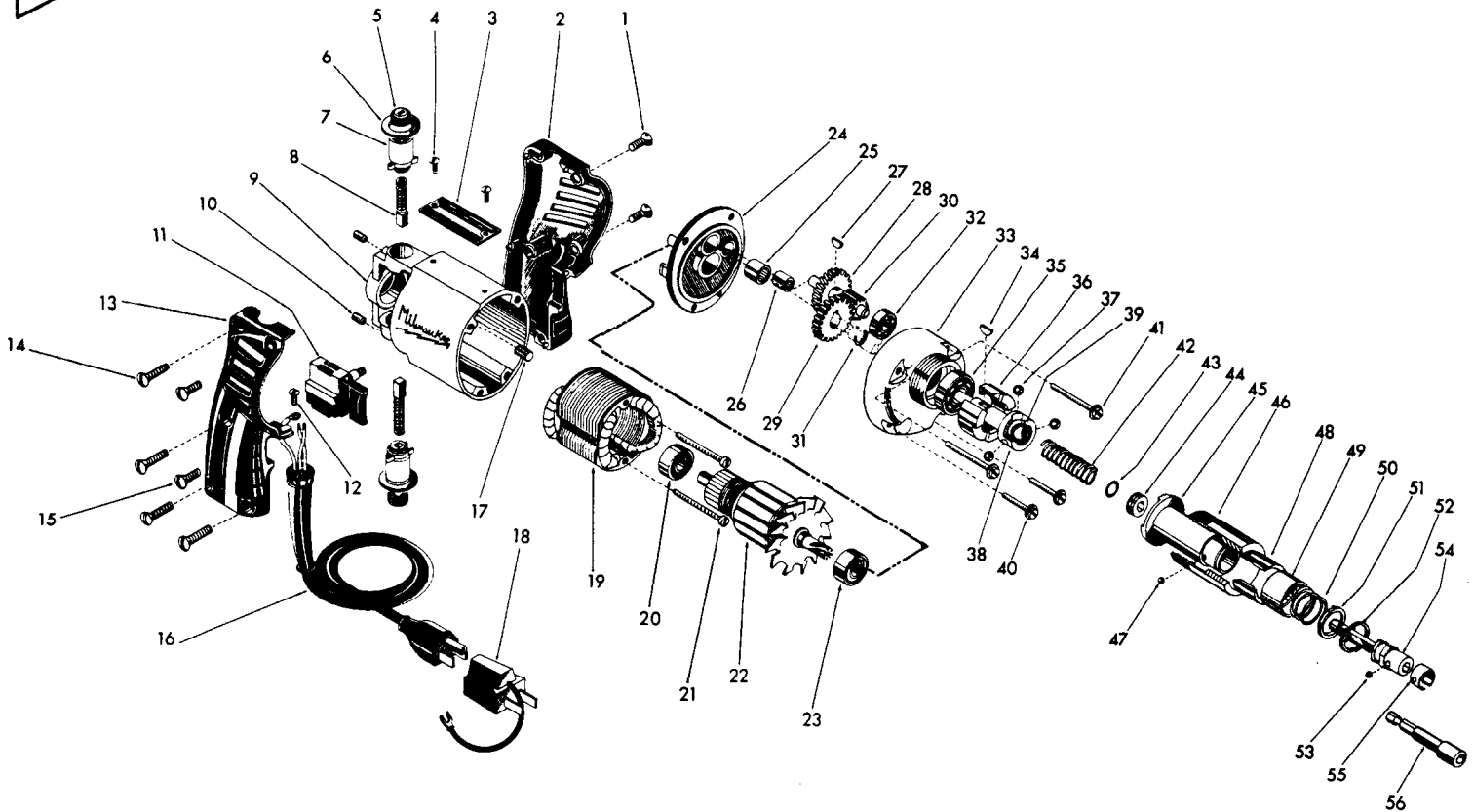
DATE
Oct. '68

Catalog No. 6781-1

Starting
Serial No. **399-1001**

WIRING INSTR.

Both Model and Serial No. must be furnished to obtain correct parts.



ILLUSTRATED PARTS

FIG.	PART NO.	DESCRIPTION OF PART	NO.REQ.	FIG.	PART NO.	DESCRIPTION OF PART	NO.REQ.
1	06-81-3600	8-32x3/8 Oval Hd. Handle Mtg. Screw	(2)	30	36-66-4061	Intermediate Pinion Shaft	
2	31-44-0111	L. H. Handle Half		31	34-60-0600	Spindle Snap Ring	
3	12-98-0600	Name Plate		32	02-04-0640	Ball Bearing	
4	06-81-4300	3-48x3/16 Rd. Hd. Name Plate Screws	(2)	33	28-14-0361	Gear Case	
5	23-44-0020	Brush Retaining Cap	(2)	34	06-42-0800	Woodruff Key	
6	23-86-0070	Insulating Washer	(2)	35	02-04-1020	Ball Bearing	
7	22-22-0251	Brush Holder Assy.	(2)	36	42-76-0171	Clutch Collar	
8	22-18-0360	Carbon Brush Assy.	(2)	37	02-02-0280	9/32 Dia. Driving Balls	
9	28-50-6091	Motor Housing		38	38-50-4981	Spindle	
10	06-83-0100	10-32x1/4 Hd. less Slotted Br. Holder Scr.	(2)	39	02-02-0560	9/16 Dia. Master Ball	
11	23-66-0520	Reversing Switch		40	06-81-6300	8-32x7/8 Fil. Hd. Sem Gear Case Srs.	(2)
12	06-81-8625	6-32x1/4 (Bronze) Rd. Hd. Ground Scrs.		41	06-81-6550	8-32x1 1/2 Fil. Hd. Sem Gear Case Scrs.	(2)
13	31-44-0100	R. H. Handle Half		42	40-50-7650	Torque Limiting Spring	
14	06-81-3650	8-32x3/8 Oval Hd. Handle Mtg. Scrs.	(4)	43	34-60-0540	Retaining Ring	
15	06-81-3600	8-32x3/8 Oval Hd. Handle Mtg. Scrs.	(2)	44	45-04-0370	Adjusting Screw	
16	22-64-0450	Cord Set		45	43-12-0091	Chuck Driver	
17	45-30-0120	Ball Bearing Ret. Slug		46	45-22-0270	Sleeve	
18	48-03-0010	Attachment Plug Adaptor		47	02-02-0120	1/8 Dia. Chuck Retaining Ball	
19	18-22-1151	Field Assembly		48	02-50-5600	Needle Bearing	
20	02-04-0740	Ball Bearing		49	44-86-0171	Chuck Retainer	
21	06-81-5950	6-32 x 1-7/8 Fil. Hd. Field Screws	(2)	50	40-50-1000	Collar Stop Spring	
22	16-22-1251	Armature Assy.		51	45-88-7081	Spring Retaining Washer	
23	02-04-0880	Ball Bearing		52	34-60-1550	Retaining Ring	
24	28-28-0221	Diaphragm		53	02-02-0150	Bit Retaining Ball	
25	02-50-1640	Needle Bearing		54	42-66-0441	Chuck	
26	02-50-1210	Needle Bearing		55	40-50-1400	Bit Retaining Spring	
27	06-42-0400	Woodruff Key		56	49-66-3005	1/4 Hex Shank Socket	
28	32-40-1041	Intermediate Gear			49-66-3015	5/16 Hex Shank Socket	
29	32-75-2691	Spindle Gear			49-66-3025	3/8 Hex Shank Socket	