



# SERVICE PARTS LIST

**BULLETIN NO.**  
**54-42-6350**

<b>SPECIFY CATALOG NO. AND SERIAL NO. WHEN ORDERING PARTS</b>		REVISED BULLETIN	DATE
<b>ADJUSTABLE TORQUE SCREWDRIVER</b>			Aug. 2006
<b>CATALOG NO.</b>	<b>6780-20</b>	<b>STARTING SERIAL NO.</b>	<b>A54A</b>
			<b>WIRING INSTRUCTION</b> <b>58-01-1800</b>

**EXAMPLE:**

00	0
----	---

 Component Parts (Small #) Are Included When Ordering The Assembly (Large #).

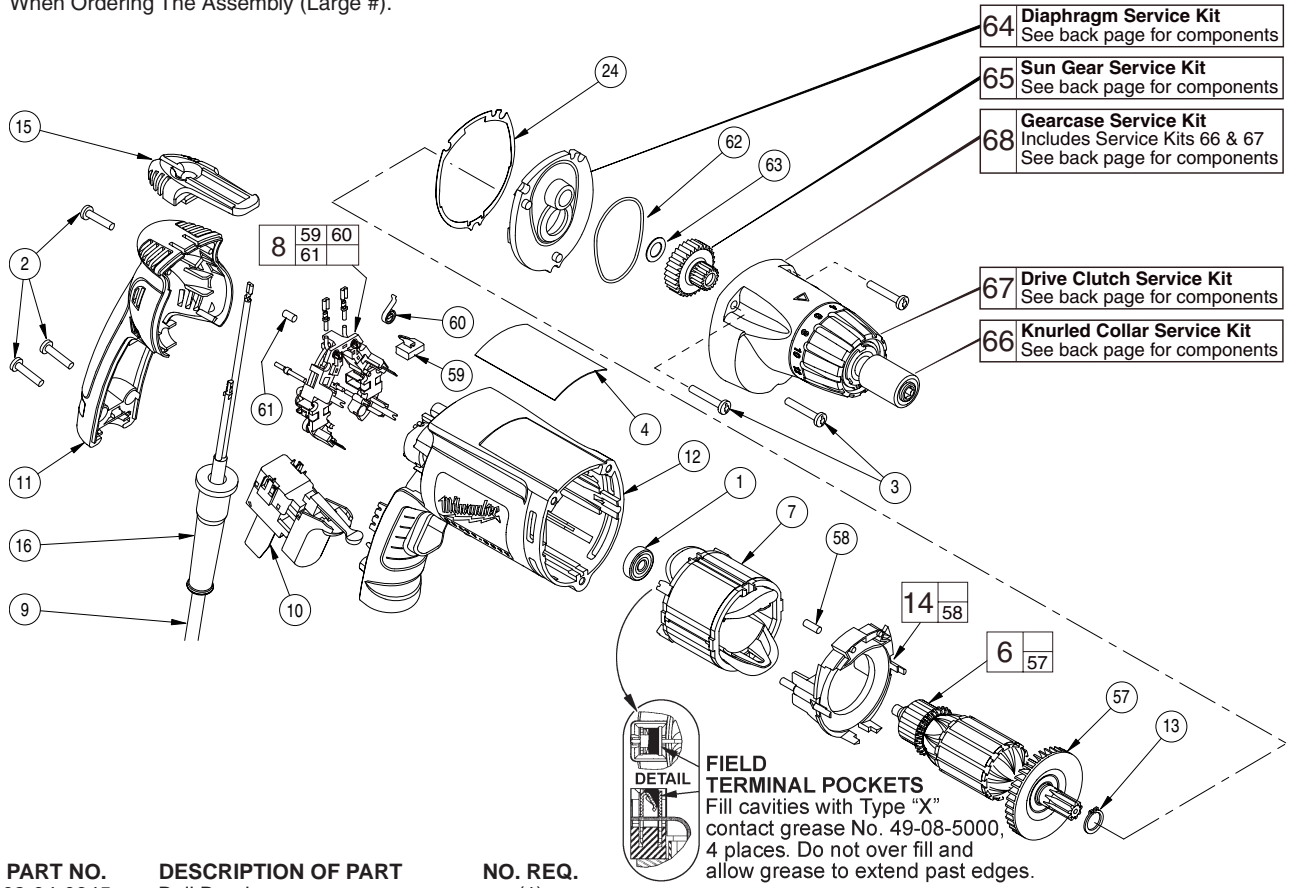


FIG.	PART NO.	DESCRIPTION OF PART	NO. REQ.
1	02-04-0645	Ball Bearing	(1)
2	06-82-7275	7-18 x .75 Slotted Plastite T-20	(3)
3	06-82-7296	7-18 x 1.00 Slotted Plastite T-20	(3)
4	12-99-2665	Service Nameplate Kit	(1)
6	16-10-2202	Service Armature	(1)
7	18-07-2200	Service Field	(1)
8	22-18-1210	Brush Card Assembly	(1)
9	22-64-6510	Cord Set	(1)
10	23-66-2585	Switch	(1)
11	31-15-2010	Handle Halve	(1)
12	31-50-2010	Motor Housing	(1)
13	34-60-0920	External Retaining Ring	(1)
14	42-14-0460	Baffle	(1)
15	42-70-5280	Belt Clip	(1)
16	44-76-0210	Cord Protector	(1)
24	43-44-0440	Wear Plate	(1)
57	22-84-0290	Fan Assembly	(1)
58	45-30-0030	Slug	(2)
59	22-18-1310	Brush Assembly	(2)
60	23-52-1610	Brush Spring	(2)
61	45-30-0035	Slug	(1)
62	34-40-4625	O-Ring Seal	(1)
63	45-88-1450	Washer	(1)
64	28-28-0471	Diaphragm Kit (See Back Page)	(1)
65	32-40-1016	Sun Gear Kit (See Back Page)	(1)
66	42-76-0476	Knurled Collar Kit (See Back Page)	(1)
67	42-70-5291	Drive Clutch Kit (See Back Page)	(1)
68	28-14-0251	Gearcase Kit (See Back Page)	(1)

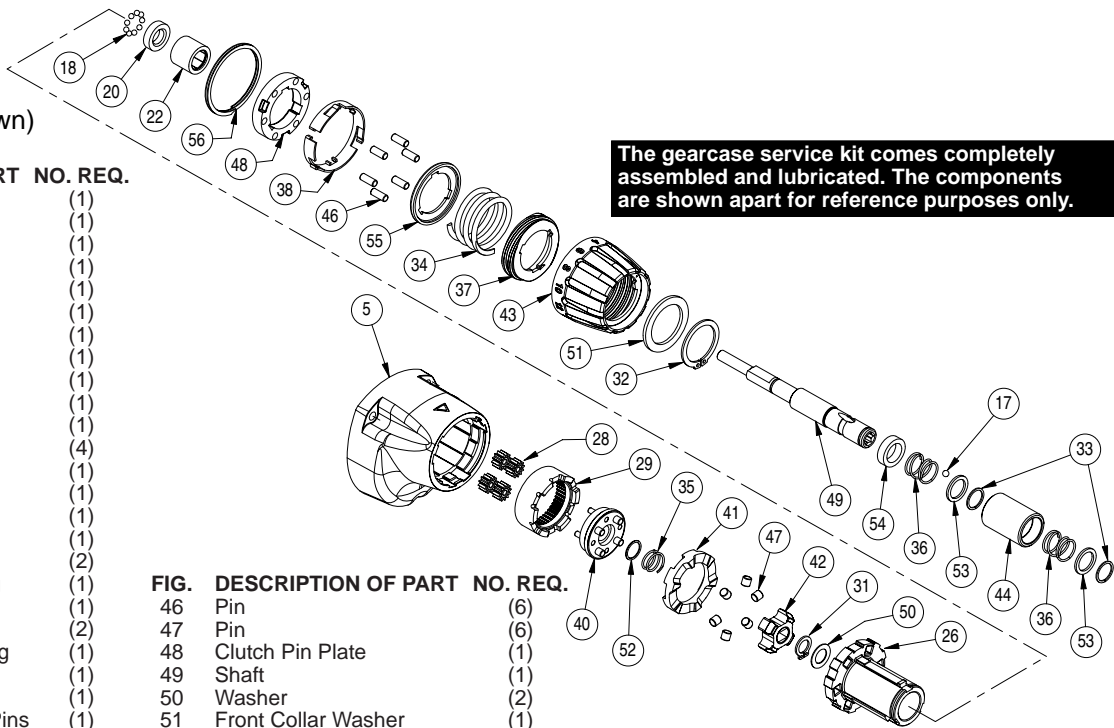
**FIG. NOTES:**  
4 Insert nameplate into slot on motor housing prior to assembling the gearcase to the tool. Position nameplate so it can be read from the rear of the tool.

65,68 Place 4.8 grams (approx. 1.75 oz.) of Type 'Z' Grease, No. 49-08-7655 in the lower gear cavity of the gearcase prior to installing the sun gear kit.

68

**No. 28-14-0251**  
**Gearcase Service Kit**  
 (Includes All Parts Shown)

FIG.	DESCRIPTION OF PART	NO. REQ.
5	Gearcase	(1)
17	Steel Ball	(1)
18	Thrust Bearing	(1)
19	Ball Bearing	(1)
20	Ball Bearing	(1)
21	Needle Bearing	(1)
22	Needle bearing	(1)
23	Caged Rollers	(1)
25	Diaphragm	(1)
26	Clutch Housing	(1)
27	Sun Gear	(1)
28	Planet Gear	(4)
29	Ring Gear	(1)
30	O-Ring Seal	(1)
31	Retaining Ring	(1)
32	Retaining Ring	(1)
33	Retaining Ring	(2)
34	Torque Adjusting Spring	(1)
35	Clutch Spring	(1)
36	Compression Spring	(2)
37	Threaded Adjusting Ring	(1)
38	Detent Ring	(1)
39	Sun Gear Bushing	(1)
40	Idler Clutch Plate with Pins	(1)
41	Clutch Ring	(1)
42	Drive Clutch	(1)
43	Adjusting Collar	(1)
44	Knurled Collar	(1)
45	Wear Plate	(1)



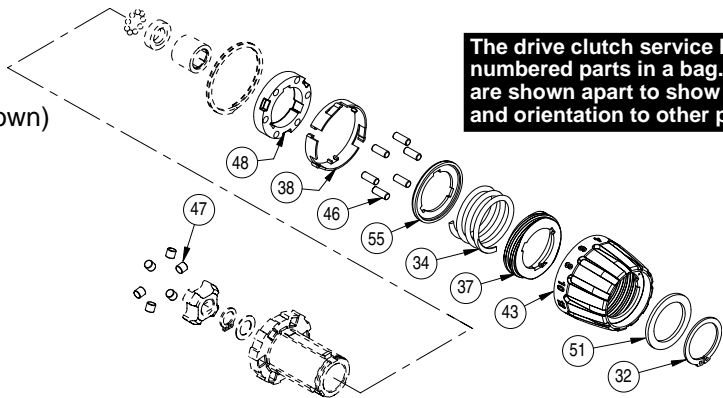
The gearcase service kit comes completely assembled and lubricated. The components are shown apart for reference purposes only.

FIG.	DESCRIPTION OF PART	NO. REQ.
46	Pin	(6)
47	Pin	(6)
48	Clutch Pin Plate	(1)
49	Shaft	(1)
50	Washer	(2)
51	Front Collar Washer	(1)
52	Clutch Spring Washer	(1)
53	Quik Disconnect Washer	(2)
54	Collar Guide Washer	(1)
55	Notched Washer	(1)
56	Internal Wave Ring	(1)

67

**No. 42-70-5291**  
**Drive Clutch Service Kit**  
 (Includes Only Numbered Parts Shown)

FIG.	DESCRIPTION OF PART	NO. REQ.
32	Retaining Ring	(1)
34	Torque Adjusting Spring	(1)
37	Threaded Adjusting Ring	(1)
38	Detent Ring	(1)
43	Adjusting Collar	(1)
46	Pin	(6)
47	Pin	(6)
48	Clutch Pin Plate	(1)
51	Front Collar Washer	(1)
55	Notched Washer	(1)



The drive clutch service kit comes with the numbered parts in a bag. The components are shown apart to show the proper order and orientation to other parts not in the kit.

66

**No. 42-76-0476**  
**Knurled Collar Service Kit**  
 (Includes All Parts Shown)

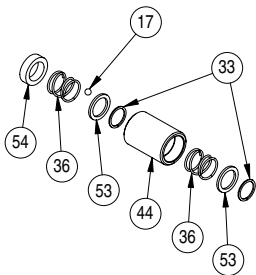


FIG.	DESCRIPTION OF PART	NO. REQ.
17	Steel Ball	(1)
33	Retaining Ring	(2)
36	Compression Spring	(2)
44	Knurled Collar	(1)
53	Quik Disconnect Washer	(2)
54	Collar Guide Washer	(1)

65

**No. 32-40-1016**  
**Sun Gear Service Kit**  
 (Includes All Parts Shown)

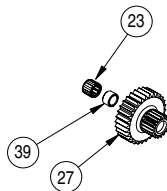


FIG.	DESCRIPTION OF PART	NO. REQ.
23	Caged Rollers	(1)
27	Sun Gear	(1)
39	Sun Gear Bushing	(1)

64

**No. 28-28-0471**  
**Diaphragm Service Kit**  
 (Includes All Parts Shown)

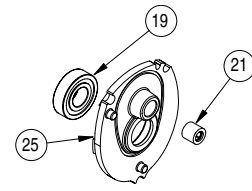


FIG.	DESCRIPTION OF PART	NO. REQ.
19	Ball Bearing	(1)
21	Needle Bearing	(1)
25	Diaphragm	(1)

The knurled collar service kit 66 comes unassembled in a bag. The components are shown apart to show the proper order and orientation. The sun gear service kit 65 and the diaphragm service kit 64 come completely assembled. The components are shown apart for reference purposes only.