



SERVICE PARTS LIST

BULLETIN NO.
54-42-5676

SPECIFY CATALOG NO. AND SERIAL NO. WHEN ORDERING PARTS		REVISED BULLETIN 54-42-5675	DATE Oct. '93
DRYWALL SCREWDRIVER			
CATALOG NO.	6757-1	SERIAL NUMBER	824B
			WIRING INSTRUCTION 58-01-1361



EXAMPLE:
Component Parts (Small #) Are Included
When Ordering The Assembly (Large #).

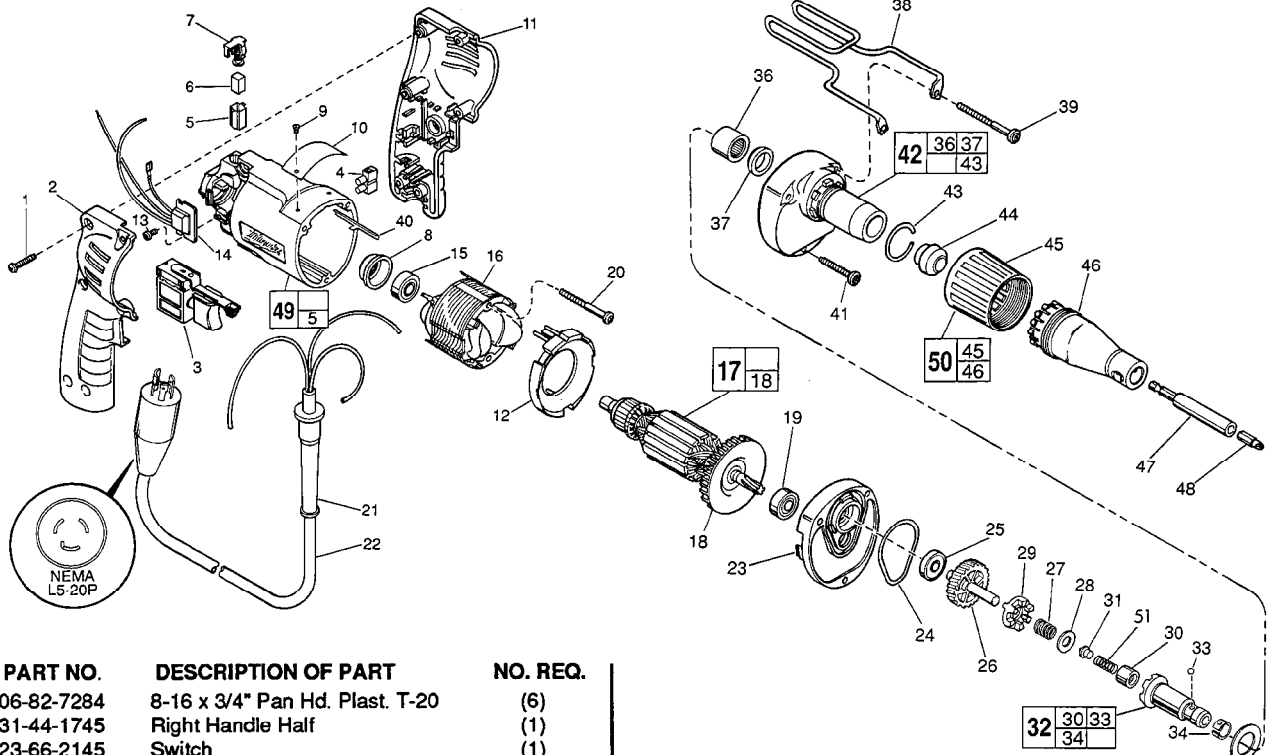


FIG.	PART NO.	DESCRIPTION OF PART	NO. REQ.
1	06-82-7284	8-16 x 3/4" Pan Hd. Plast. T-20	(6)
2	31-44-1745	Right Handle Half	(1)
3	23-66-2145	Switch	(1)
4	22-56-0456	Terminal Block	(1)
5	22-20-0830	Brush Tube	(2)
6	22-16-0275	Carbon Brush	(2)
7	23-52-1570	Brush Spring Assembly	(2)
8	22-72-0100	Bearing Cup	(1)
9	06-85-0200	Nameplate Screw	(2)
10	12-99-0860	Service Nameplate	(1)
11	31-44-1740	Left Handle Half	(1)
12	42-14-0360	Baffle	(1)
13	06-82-7212	4-20 x 1/4" Pan Hd. Plast. T-10	(1)
14	14-20-0650	Remote Module Assembly	(1)
15	02-04-0645	Ball Bearing	(1)
16	18-11-0150	Field	(1)
17	16-10-0671	Armature Assembly	(1)
18	22-84-0840	Fan Assembly	(1)
19	02-04-0851	Ball Bearing	(1)
20	06-82-7393	7-18 x 2" Pan Hd. Slit. Plast T-20	(2)
21	44-76-0210	Cord Protector	(1)
22	22-64-3250	Cord Set (NEMA L5-20P Plug)	(1)
23	25-28-1990	Diaphragm	(1)
24	43-44-0940	Gasket	(1)
25	02-04-0645	Ball Bearing	(1)
★ 26	32-10-1050	Clutch Gear Assembly	(1)
★ 27	40-50-8515	Bias Spring	(1)
★ 28	45-88-8555	Thrust Washer	(1)
★ 29	42-70-0310	Drive Clutch	(1)
30	02-50-2400	Needle Bearing	(1)
★ 31	44-60-0505	Thrust Pin	(1)
★ 32	42-66-0710	Clutch Chuck Assembly	(1)
33	02-02-0130	9/64" Steel Ball	(1)
34	40-50-0510	Retaining Spring	(1)
35	45-88-8350	Stop Washer	(1)
36	02-50-4220	Needle Bearing	(1)
37	45-06-0570	Oil Seal	(1)
38	42-70-5120	Belt Clip	(1)

FIG.	PART NO.	DESCRIPTION OF PART	NO. REQ.
39	06-82-7368	7-18 x 1-3/4" Pan Hd. Slit. Plast T-20	(2)
40	44-60-0530	Ground Pin	(1)
41	06-82-7320	7-18 x 1-1/4" Pan Hd. Slit. Plast. T-20	(1)
42	14-30-0435	Gear Case Assembly	(1)
43	44-90-0401	Locator Ring	(1)
44	30-37-0045	Guide	(1)
45	31-58-0510	Locator Sleeve	(1)
46	31-51-0090	Locator	(1)
47	48-32-3065	Magnetic Bit Holder	(1)
48	48-32-1050	Insert Bit - #2 Phillips	(1)
49	14-38-0430	Motor Housing Assembly	(1)
50	49-26-1035	Locator Assembly	(1)
★ 51	40-50-0095	Separator Spring	(1)

FIG. LUBRICATION

- 17,26,27 1/64 Oz. Type "E" Grease, No. 49-08-4122, On Bias Spring.
- 1/64 Oz. In The Clutch Pockets Of The Clutch Gear.
- 1/64 Oz. On Each Side Of Armature Pinion At Clutch Gear.
- 42 3/16 Oz. In Pinion Pocket Of Gear Case.

Apply A Light Film Of "E" Grease To Ball And Needle Bearing Pockets Of The Diaphragm And Gear Case Prior To Pressing Bearings. Apply A Light Film Of "E" Grease To The Lead Chamfer Of Clutch Chuck, Thrust Pin And Separator Spring Prior To Assembly.

FIG. NOTES

- 1 Torque To 18-22 In./Lbs.
- 20,41,39 Torque To 15-20 In./Lbs.
- 13 Torque To 3-5 In./Lbs.

MILWAUKEE ELECTRIC TOOL CORPORATION
13135 W. LISBON RD., BROOKFIELD, WI 53005