



# SERVICE PARTS LIST

**BULLETIN NO.**  
54-42-0275

SPECIFY CATALOG NO. AND SERIAL NO. WHEN ORDERING PARTS		REVISED BULLETIN	DATE
D.I. MAGNUM SCREW-SHOOTER			Jan. '81
CATALOG NO. 6756-1	STARTING SERIAL NO. 579-1001	WIRING INSTRUCTION 58-01-0121	

0-4000 R.P.M.  
4.5 AMPS

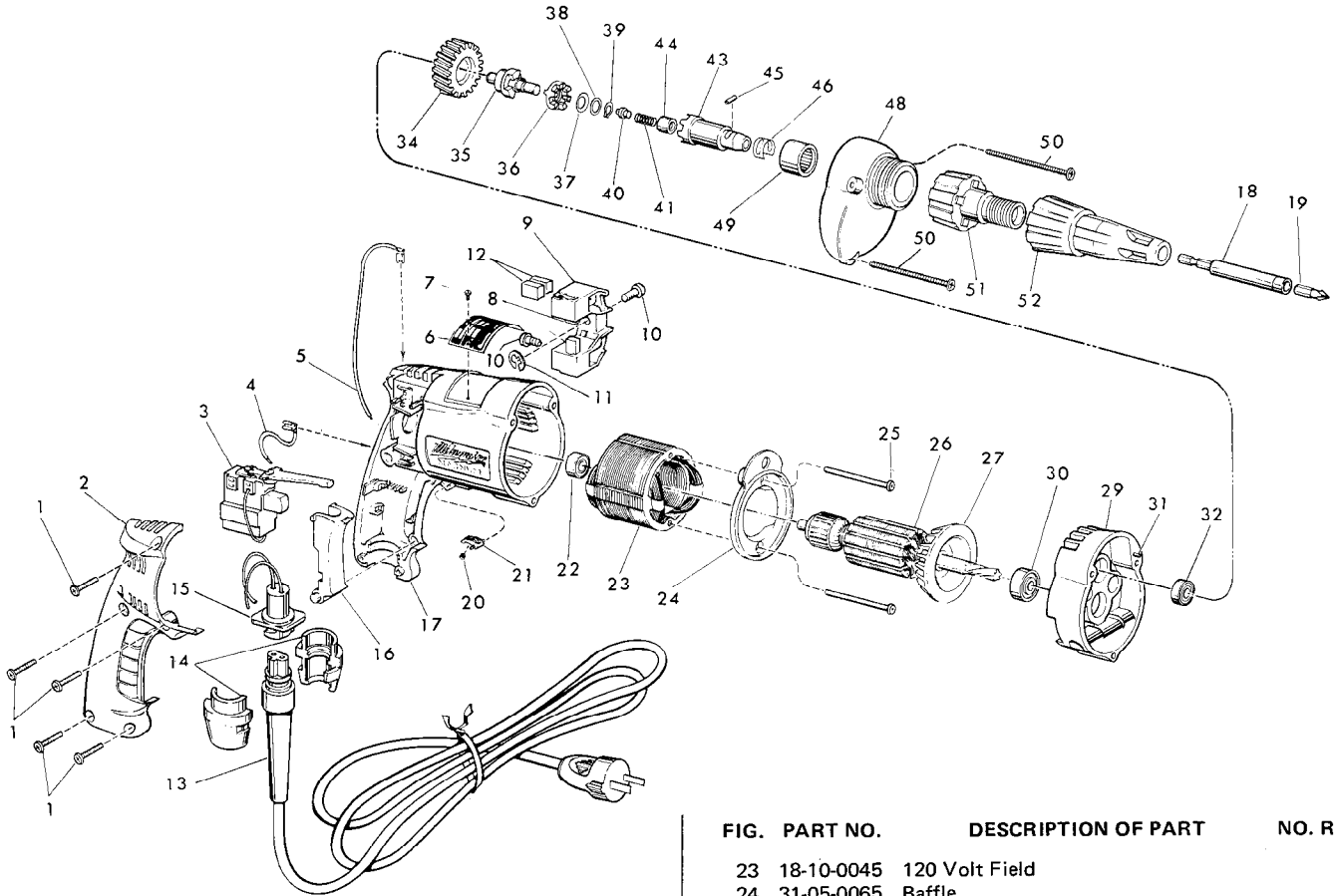


FIG.	PART NO.	DESCRIPTION OF PART	NO. REQ.
1	06-95-0220	8-18x3/4" Pan Hd. Thread Form Screw	(5)
2	31-15-0101	Handle Cover	(1)
3	23-66-0981	Reversing Switch	(1)
4	23-94-9625	2-1/4" Lead Assembly	(1)
5	23-94-9630	7" Lead Assembly	(1)
6	12-99-0086	Nameplate Blank	(1)
7	06-85-0200	Nameplate Screw	(2)
8	22-16-0270	Carbon Brush	(2)
9	22-22-0350	Brush Holder Assy. (Incl. Fig. Nos. 10 thru 12)	(1)
10	31-75-0010	Brush Holder Screw	(2)
11	34-60-0500	1/4" Ext. Retaining Ring	(1)
12	22-16-0270	Carbon Brush (Spares)	(2)
13	48-76-2008	Cord Set (Includes Fig. No. 14)	(1)
14	44-40-0440	Cord Nut	(2)
15	22-56-0386	Pin Housing Assembly	(1)
16	45-72-0080	Trigger	(1)
17	14-38-0360	Motor Housing Assy.	(1)
18	48-32-3025	Magnet Bit Holder 1/4 Hex	(1)
19	48-32-1050	Insert Bit No. 2 Phil. 1/4 H	(1)
20	40-50-0085	Lock Button Spring	(1)
21	42-42-0150	Lock Button	(1)
22	02-04-0645	Ball Bearing	(1)

FIG.	PART NO.	DESCRIPTION OF PART	NO. REQ.
23	18-10-0045	120 Volt Field	(1)
24	31-05-0065	Baffle	(1)
25	06-95-0140	No. 7x1-7/8" Pan Hd. Screw	(2)
26	16-10-0270	120 V Armature Assy. (Incl. Fig. No. 27)	(1)
27	22-84-0650	Fan Assembly	(1)
28	14-13-0370	Diaphragm Assy. (Fig. Nos. 29 thru 32)	(1)
29	28-28-1590	Diaphragm	(1)
30	02-04-0847	Ball Bearing	(1)
31	06-65-0825	1/8 x 1/2 Groove Pin No. 5	(1)
32	02-04-0645	Ball Bearing	(1)
33	32-10-4040	Clutch Gear Assy. (Fig. Nos. 34 thru 39)	(1)
34	32-75-2930	Spindle Gear	(1)
35	36-14-0685	Gear Shaft	(1)
36	42-70-5030	Drive Clutch	(1)
37	45-88-0705	Spring Washer	(1)
38	45-88-0550	Flat Washer	(1)
39	34-60-0510	External Retaining Ring	(1)
40	44-60-0500	Thrust Pin	(1)
41	40-50-0080	Separator Spring	(1)
42	14-73-0120	Chuck Shaft Assy. (Incl. Fig. Nos. 43 thru 46)	(1)
43	42-66-6770	Chuck Shaft	(1)
44	02-50-1610	Needle Bearing	(1)
45	02-55-0150	Loose Roller Bearing	(1)
46	40-50-1450	Bit Retaining Spring	(1)
47	14-30-0350	Gear Case Assy. (Incl. Fig. Nos. 48 & 49)	(1)
48	28-14-1460	Gear Case	(1)
49	02-50-4050	Needle Bearing	(1)
50	06-95-0140	No. 7x1-7/8" Pan Hd. Screw	(3)
51	48-32-2500	Bit Housing	(1)
52	49-26-1026	Locator Assembly	(1)
53	10-98-5986	Warning Label	(1)