



# SERVICE PARTS LIST

**BULLETIN NO.**  
**54-42-5531**

SPECIFY CATALOG NO. AND SERIAL NO. WHEN ORDERING PARTS		REVISED BULLETIN 54-42-5530	DATE July '94
<b>MAGNUM SCREW-SHOOTER</b>			
CATALOG NO. <b>6754-1</b>	STARTING SERIAL NO. <b>572-55477</b>	WIRING INSTRUCTION <b>58-01-0123</b>	

**EXAMPLE:**

00 0

Component Parts ( Small #)  
Are Included When Ordering  
The Assembly (Large #).

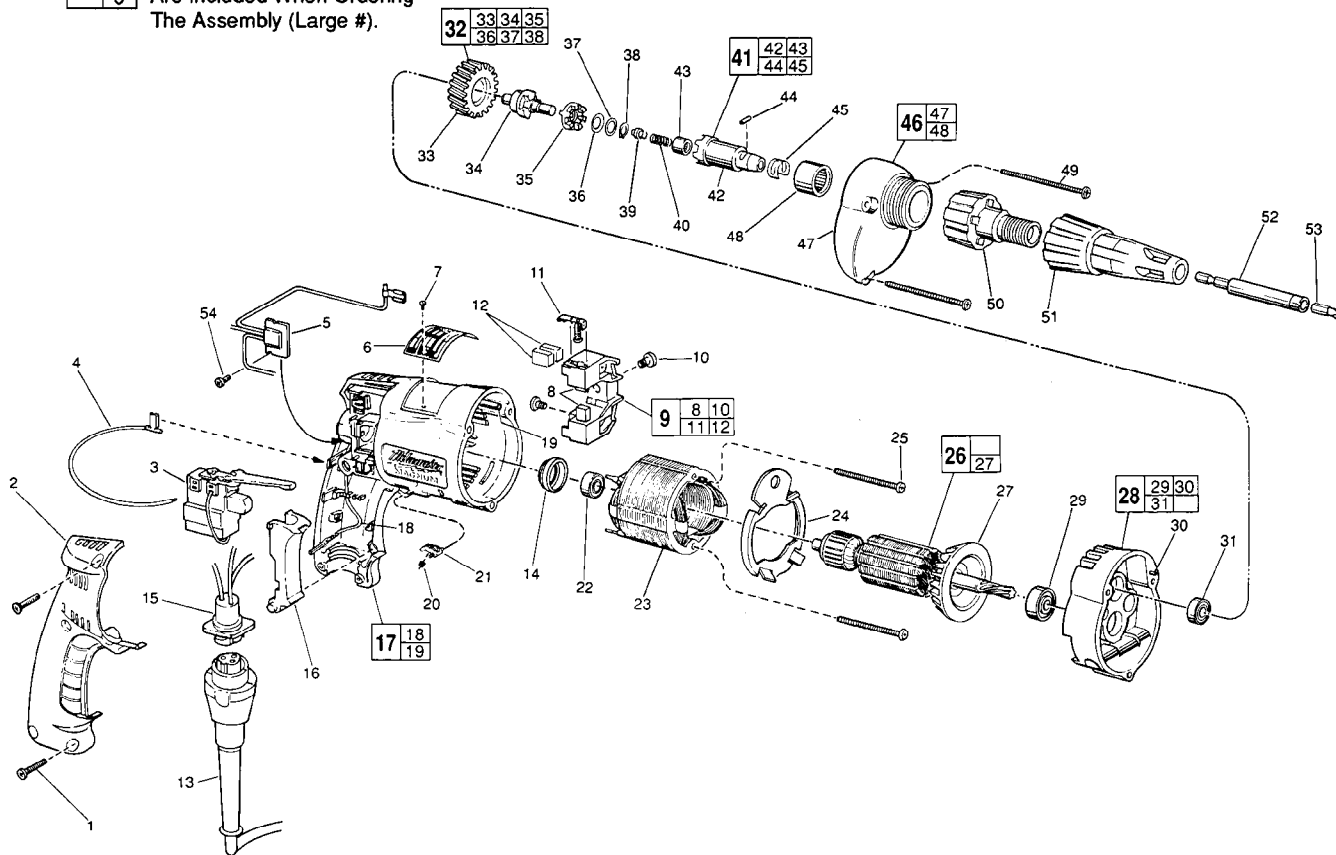


FIG.	PART NO.	DESCRIPTION OF PART	NO. REQ.
	1	7-18 x 11/16" Plastite T-20	(5)
★	2	Handle Cover	(1)
	3	Reversing Switch	(1)
★	4	2-1/4" Lead Assembly	(1)
★	5	Remote Electronic Assembly	(1)
	6	Nameplate Blank	(1)
	7	Nameplate Screw	(2)
	8	Carbon Brush	(2)
★	9	Brush Holder Assembly	(1)
	10	Brush Holder Screw	(2)
	11	Brush Spring Assembly	(2)
	12	Carbon Brush (Spares)	(2)
	13	Cord Set	(1)
★	14	Bearing Cup	(1)
★	15	Pin Housing Assembly	(1)
	16	Trigger	(1)
★	17	Motor Housing Assembly	(1)
★	18	Ground Wire Assembly	(1)
★	19	Grounding Pin	(1)
	20	Lock Button Spring	(1)
	21	Lock Button	(1)
	22	Ball Bearing	(1)
★	23	120 Volt Field	(1)
★	24	Baffle	(1)
★	25	7-18 x 2" Pan Hd. T-20	(2)
	26	120 Volt Armature Assembly	(1)
	27	Fan Assembly	(1)
	28	Diaphragm Assembly	(1)

FIG.	PART NO.	DESCRIPTION OF PART	NO. REQ.
	29	02-04-0847 Ball Bearing	(1)
	30	06-65-0825 1/8" x 1/2" Groove Pin No. 5	(1)
	31	02-04-0645 Ball Bearing	(1)
	32	32-10-4040 Clutch Gear Assembly	(1)
	33	32-75-2930 Spindle Gear	(1)
	34	36-14-0685 Gear Shaft	(1)
	35	42-70-5030 Drive Clutch	(1)
	36	45-88-0705 Spring Washer	(1)
	37	45-88-0550 Flat Washer	(1)
	38	34-60-0510 External Retaining Ring	(1)
	39	44-60-0500 Thrust Pin	(1)
	40	40-50-0080 Separator Spring	(1)
	41	14-73-0120 Chuck Shaft Assembly	(1)
	42	42-66-6770 Chuck Shaft	(1)
	43	02-50-1615 Needle Bearing	(1)
	44	02-55-0150 Loose Roller Bearing	(1)
	45	40-50-1450 Bit Retaining Spring	(1)
	46	14-30-0350 Gear Case Assembly	(1)
	47	----- Gear Case	(1)
	48	02-50-4050 Needle Bearing	(1)
	49	06-82-7380 7 -18 x 1-7/8" Pan Hd. T-20	(3)
	50	48-32-2500 Bit Housing	(1)
	51	49-26-1040 Locator Assembly	(1)
	52	48-32-3025 Magnet Bit Holder 1/4" Hex	(1)
	53	48-32-1050 Insert Bit No. 2 Phil 1/4" Hex	(1)
★	54	06-82-7212 4-20x1/4" Pan Hd. Plastite T-10	(1)
		10-98-5986 Warning Label	(1)

**FIG. LUBRICATION**

47 1-1/2 Oz. Type "E" Grease , No. 49-08-4122.

**MILWAUKEE ELECTRIC TOOL CORPORATION**  
13135 W. LISBON RD., BROOKFIELD, WI 53005