



SERVICE PARTS LIST

BULLETIN NO.
54-42-0132

SPECIFY CATALOG NO. AND SERIAL NO. WHEN ORDERING PARTS		REVISED BULLETIN 54-42-0131	DATE Sept. '90
D.I. DRYWALL SCREWDRIVER		WIRING INSTRUCTION 58-01-0016	
CATALOG NO. 6753-1	STARTING SERIAL NO. 704-65000		

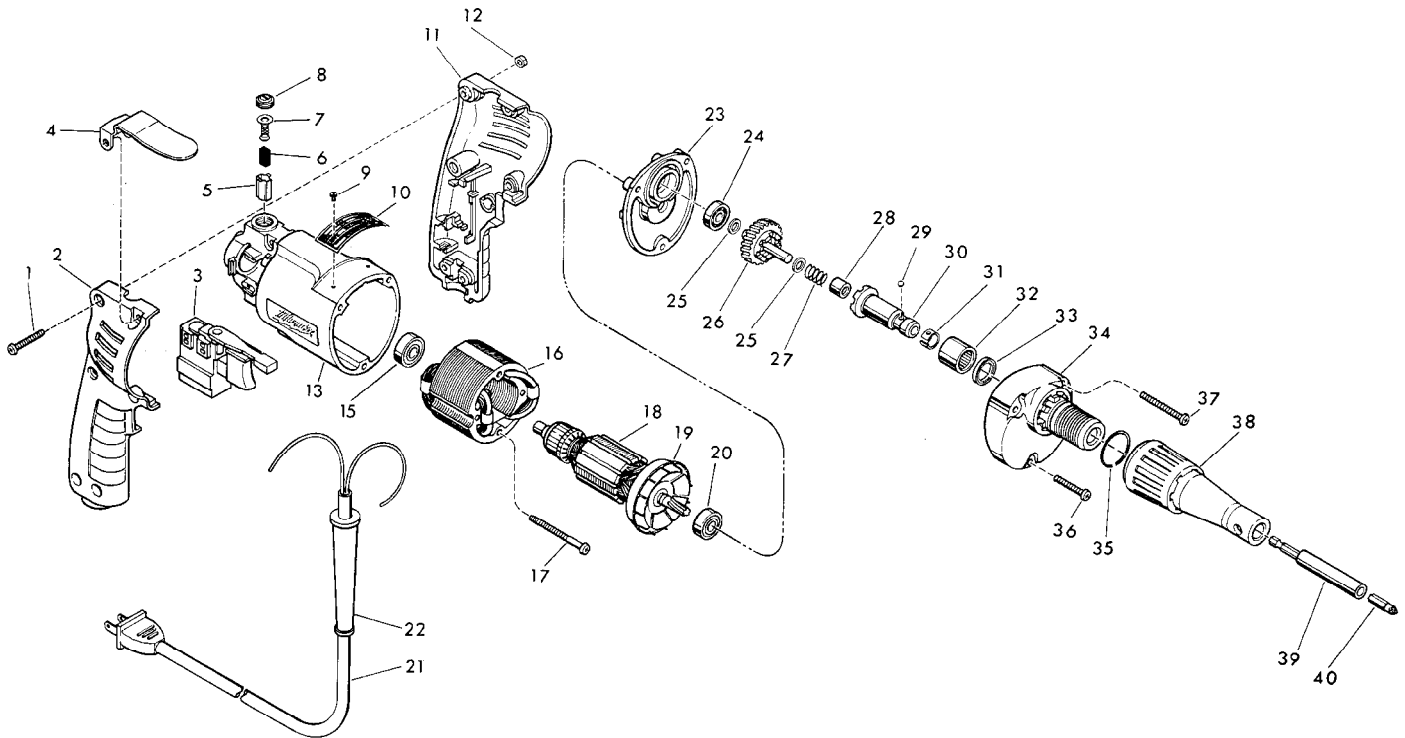


FIG.	PART NO.	DESCRIPTION OF PART	NO. REQ.	FIG.	PART NO.	DESCRIPTION OF PART	NO. REQ.
	1	06-81-0473 8-32 x 1" Pan Hd. Pozi Dr. Screw	(6)	27	40-50-6600	Separator Spring	(1)
	2	31-44-1130 Right Handle Half	(1)	28	02-50-2400	Needle Bearing	(1)
★	3	23-66-1465 Speed Control Switch	(1)	29	02-02-0130	Steel Ball	(1)
	4	48-67-0100 Belt Clip	(1)	★30	42-66-0766	Clutch Chuck Assy.(Incl. Fig.Nos. 28, 29 & 31)	(1)
	5	22-20-0530 Brush Tube	(2)	31	40-50-0510	Bit Retaining Spring	(1)
★	6	22-16-0275 Carbon Brush	(2)	32	02-50-4220	Needle Roller Bearing	(1)
	7	23-52-0210 Brush Spring Assembly	(2)	★33	45-06-0106	Oil Seal	(1)
	8	23-44-0120 Brush Retaining Screw	(2)	34	28-14-1581	Gear Case	(1)
	9	06-85-0200 Nameplate Screw	(2)	35	44-90-0400	Locator Ring	(1)
	10	12-99-0311 Nameplate Blank	(1)	36	06-95-0170	7-18 x 1" Pan Hd. Pozi Drive Screw	(1)
	11	31-44-1140 Left Handle Half	(1)	37	06-95-0175	7-18 x 1-1/2" Pan Hd. Pozi Drive Screw	(2)
	12	06-55-0835 8-32 Hex Nut	(6)	38	49-26-1030	Drywall Locator Assembly	(1)
★	13	31-50-0345 Motor Housing	(1)	39	48-32-3065	Magnetic Bit Holder	(1)
	14	10-98-6005 Caution Label (Not Shown)	(1)	40	48-32-1050	Insert Bit	(1)
★	15	02-04-0645 Ball Bearing	(1)				
	16	18-10-0060 120V Field	(1)				
	17	06-95-0145 7 x 1-3/4" Pan Hd. Pozi Drive Screw	(2)				
★	18	16-10-0555 120V D.I. Armature - (Incl. Fig. No. 19)	(1)				
	19	22-84-0760 Fan Assembly	(1)				
	20	02-04-0848 Ball Bearing	(1)				
	21	22-64-0215 Cord Set	(1)				
	22	44-76-0130 Cord Protector	(1)				
	23	28-28-1685 Diaphragm	(1)				
★	24	02-04-0645 Ball Bearing	(1)				
	25	45-88-0712 Thrust Washer	(2)				
★	26	32-10-1021 Clutch Gear Assembly	(1)				

NOTES:

Screws Fig. No. 1, Fig. No. 17 & Fig. Nos. 36 & 37
Should Be Torqued To 15-20 In./Lbs.

LUBRICATION

Use 1/8 Oz. Of Type "E" Grease In Gear Case