

# SERVICE PARTS LIST

4000 R.P.M. DRYWALL SCREWDRIVER

Catalog No. **6751-1**

Starting Serial No. **468-38600**

Specify Catalog and Serial No. when ordering parts

**BUL. 54-42-0202**

REVISED BUL. 54-42-0201 DATE March '76

WIRING INSTRUCTIONS 58-01-0647

FOR CAT. NO. 6751-3 (240V) TOOL USE:

- 22-64-4200 CORD SET
- 22-18-0375 CARBON BRUSH
- 18-16-0015 FIELD
- 16-16-0100 ARMATURE

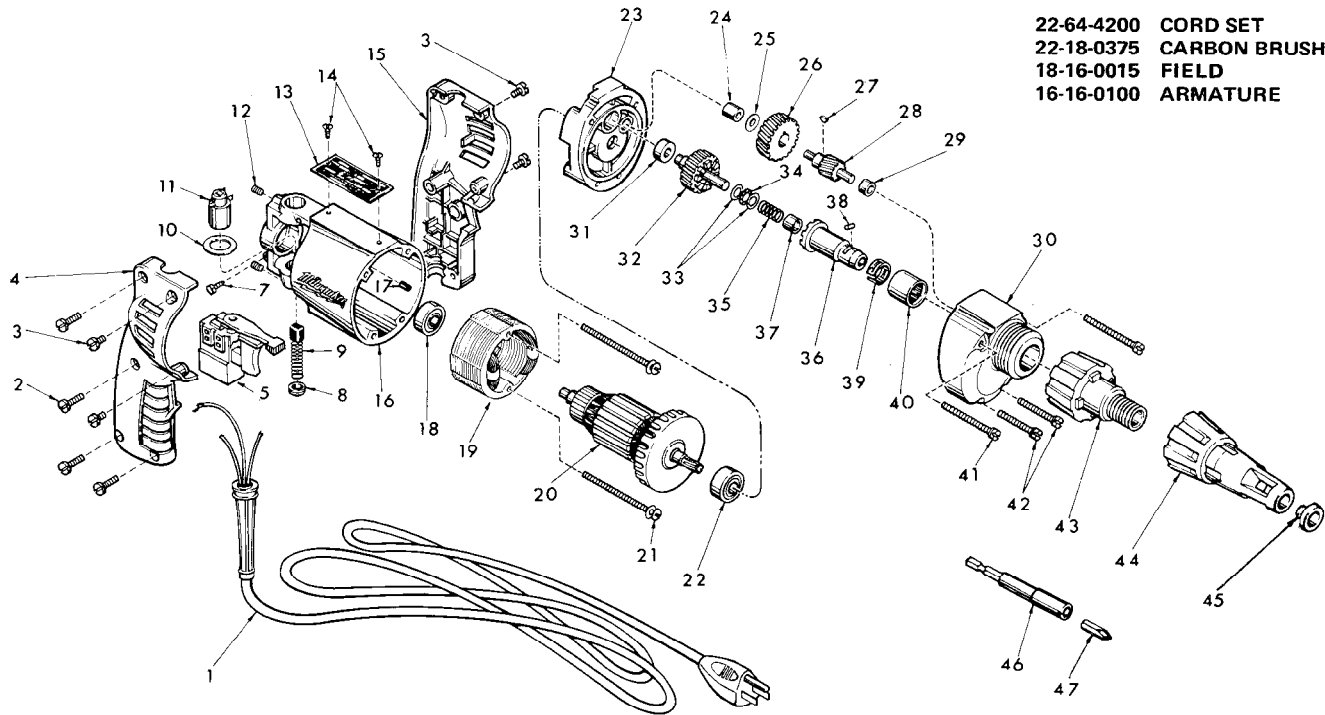


FIG.	PART NO.	DESCRIPTION OF PART	NO. REQ.	FIG.	PART NO.	DESCRIPTION OF PART	NO. REQ.
1	22-64-0665	Cord Set	(1)	25	45-88-7280	Nylon Thrust Washer	(1)
2	06-81-0400	8-32x3/4 Pan Head Screw	(4)	26	32-40-1041	Intermediate Gear	(1)
3	06-81-0450	8-32x3/8 Pan Head Screw	(4)	27	06-42-0400	Woodruff Key	(1)
4	31-44-0280	R. H. Handle Half	(1)	28	36-66-4105	Intermediate Pinion Shaft	(1)
5	23-66-0816	Reversing Switch	(1)	29	02-50-1635	Needle Bearing	(1)
6	12-98-7081	Caution Plate (Not Shown)	(1)	30	28-14-1210	Gear Case (Includes 06-65-0825 Groove Pin)	(1)
7	06-81-8625	6-32x1/4 Ground Screw	(1)	31	02-08-0210	Ball Bearing	(1)
8	23-44-0020	Brush Retaining Screw	(2)	32	32-10-4000	Clutch Gear	(1)
★ 9	22-18-0362	Carbon Brush	(2)	33	45-88-0550	Thrust Washer	(2)
10	23-86-0105	Fiber Washer	(2)	34	02-80-0100	Thrust Bearing	(1)
11	22-22-0251	Brush Holder Assy.	(2)	35	40-50-6600	Separator Spring	(1)
12	06-83-2430	10-32x1/4 Hds. Skt. Screw	(2)	36	42-66-4000	Drive Chuck (Incl. Figs. 37 thru 39)	(1)
13	12-99-0021	Nameplate	(1)	37	02-50-1610	Needle Bearing	(1)
14	06-85-0200	6x1/4 Round Hd. Type Z Screw	(2)	38	02-55-0150	Loose Roller Bearing	(1)
15	31-44-0290	L. H. Handle Half	(1)	39	40-50-1450	Bit Retaining Spring	(1)
16	28-50-6091	Motor Housing (Incl. Fig. 17)	(1)	40	02-50-4050	Needle Bearing	(1)
17	45-30-0120	Ball Brg. Retaining Slug	(1)	41	06-81-6740	8-32x2 Fil. Hd. Sem	(2)
18	02-04-0740	Ball Bearing	(1)	42	06-81-6550	8-32x1-1/2 Fil. Hd. Sem	(2)
★ 19	18-10-0015	120 V. Field	(1)	43	48-32-2500	Bit Housing	(1)
★ 20	16-10-0100	120 V. Armature	(1)	44	49-26-1000	Drywall Locator (Incl. Fig. 45)	(1)
★ 21	06-81-5950	6-32x1-7/8 Round Hd. Sems	(2)	45	49-78-0100	Locator Tip	(1)
22	02-04-0880	Ball Bearing	(1)	46	48-32-3025	1/4 Hex Magnetic Bit Holder	(1)
23	28-28-1451	Diaphragm	(1)	47	48-32-1050	1/4 Hex No. 2 Phil. Insert Bit	(1)
24	02-50-1210	Needle Bearing	(1)				